

UNO Suspended

Installation Instructions for 4', 6', 8' Fixtures

ARON™
Light Delivered™

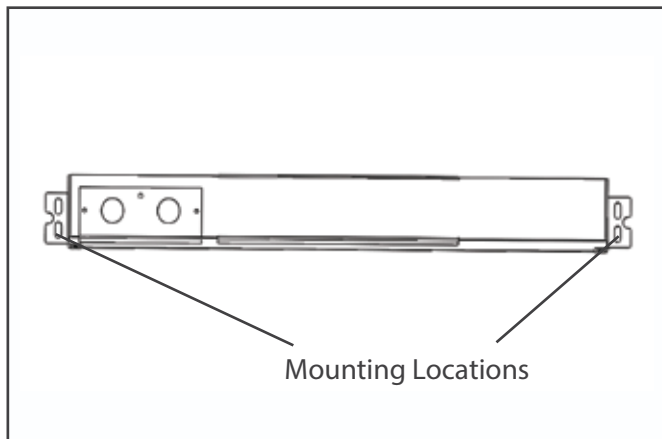
PLEASE READ ALL INSTRUCTIONS CAREFULLY BEFORE INSTALLING. RISK OF FIRE AND ELECTRICAL SHOCK. FIXTURE MUST BE INSTALLED BY A QUALIFIED ELECTRICIAN. ALL INSTALLS SHOULD BE IN ACCORDANCE WITH NATIONAL, LOCAL BUILDING AND ELECTRICAL CODES. ALL WIRES AND MATERIALS USED FOR INPUT/OUTPUT MUST BE UL APPROVED.

Fixture Dimensions

| Product | Fixture Length | Fixture Width |
|------------|----------------|---------------|
| EdgeT1-4FA | 48" | 3.6" |
| EdgeT1-6FA | 72" | 3.6" |
| EdgeT1-8FA | 96" | 3.6" |

Open Ceiling Mounting Styles (See Spec Sheet for Other Options)

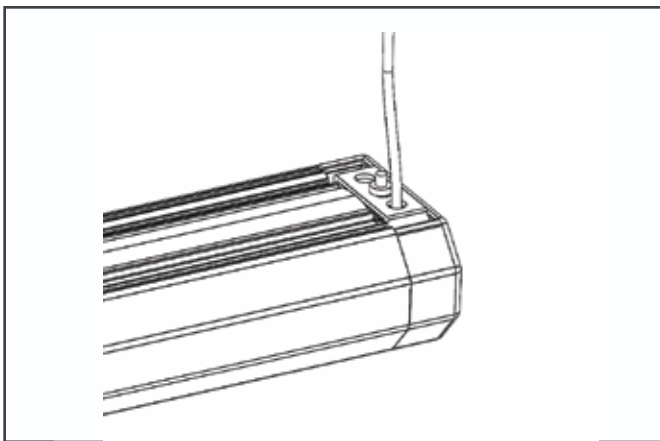
Fixture Installation Steps:



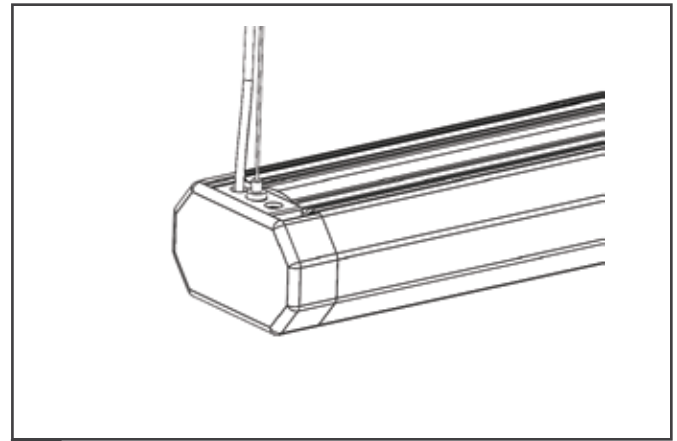
- 1 Mount remote driver using provided mounting provisions on the driver box



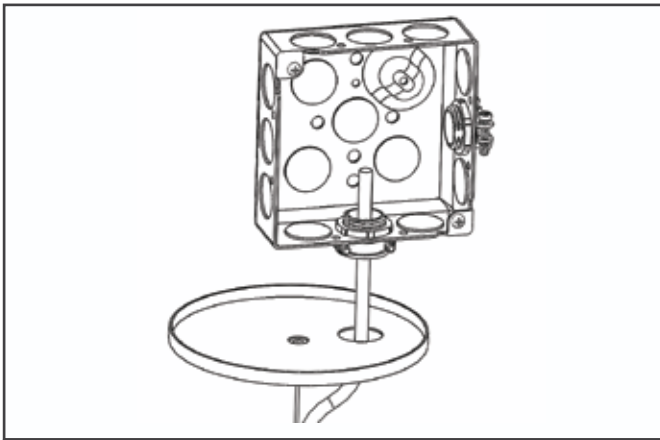
- 2 Attach canopy and suspension wire to preferred location. Hang suspension wire to specified length. Spacing of suspension wire should equal overall fixture length, minus 1"



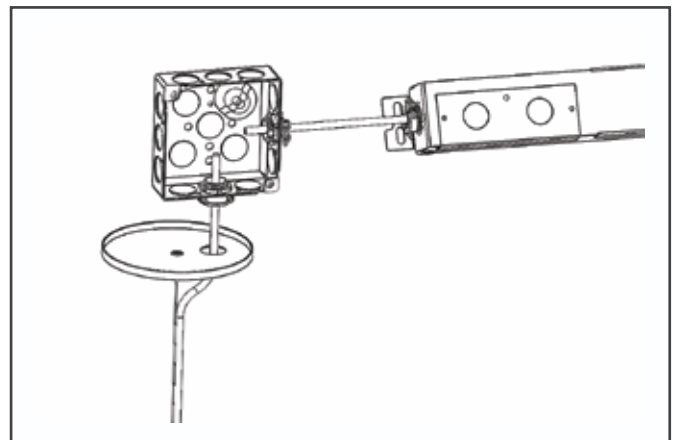
- 3 Fixture comes completely assembled with grippers installed, no internal wiring required. Low voltage lead is pre installed into fixture. Verify Grippers have not loosened in shipping.



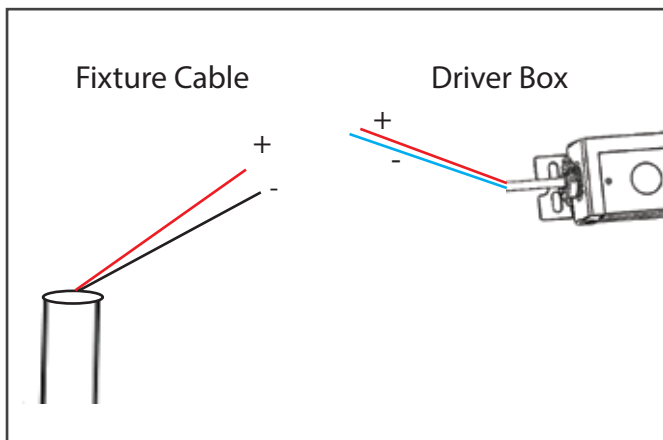
- 4 Insert suspension wire into grippers. Push wire through gripper, alternating sides until the fixture is at the desired height. Place a level on top of fixture to assure evenness.



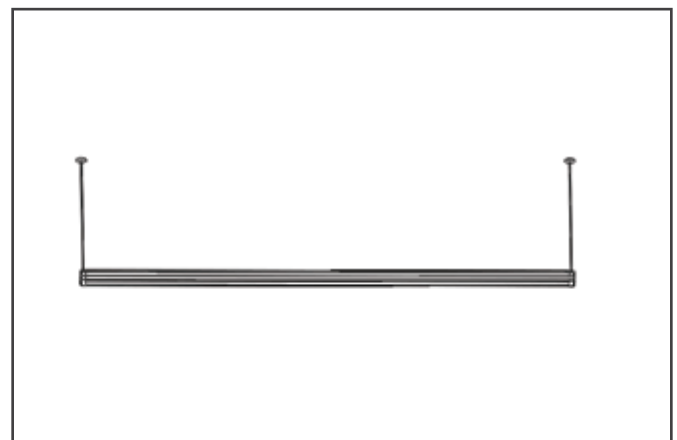
5 With fixture suspended, install power cord lead through canopy power drop hole, leaving low voltage wires in Jbox (provided by others) above canopy



6 Run low voltage BX cable (provided by others) from Jbox to Remote Driver Box. Connect wires according to labels within remote Driver Box (see step 7)



7 Low voltage wires from fixture will have labels that correspond with wiring in remote driver box. Solid Red (+) and Solid Blue (-) go to downlight Red/White (+) and Blue/White (-) go to downlight
 **Important for various distributions including (20UP, 80DOWN) (80UP,20DOWN)....



8 Power on fixture and be sure that the up and down lighting is working as expected.

*These components are not supplied