

SLOT

Installation Instructions for SLOT in T-Grid

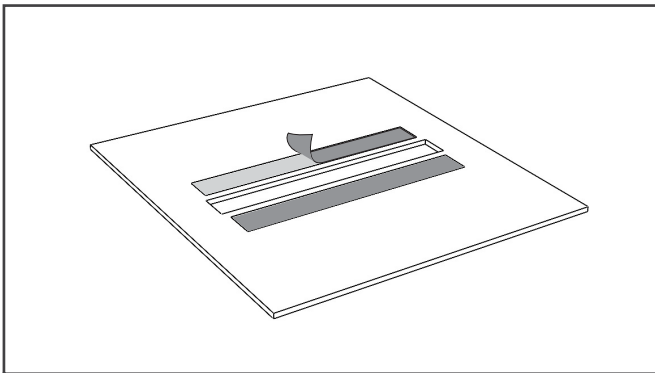
PLEASE READ ALL INSTRUCTIONS CAREFULLY BEFORE INSTALLING. RISK OF FIRE AND ELECTRICAL SHOCK. FIXTURE MUST BE INSTALLED BY A QUALIFIED ELECTRICIAN. ALL INSTALLS SHOULD BE IN ACCORDANCE WITH NATIONAL, LOCAL BUILDING AND ELECTRICAL CODES. ALL WIRES AND MATERIALS USED FOR INPUT/OUTPUT MUST BE UL APPROVED.

Fixture Dimensions

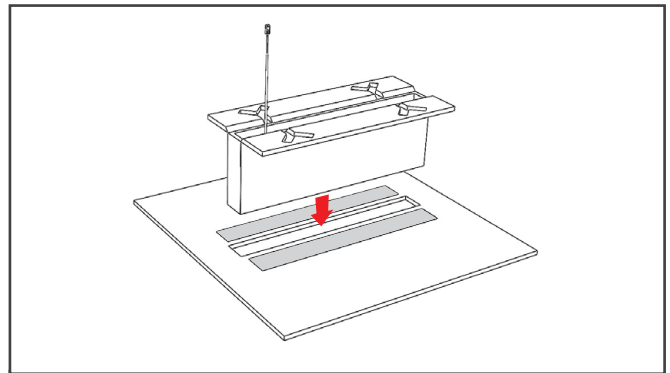
Product	Dimensions
SLOT	2x2, 2x4

Provided Hardware:
Fixture
Safety Wire

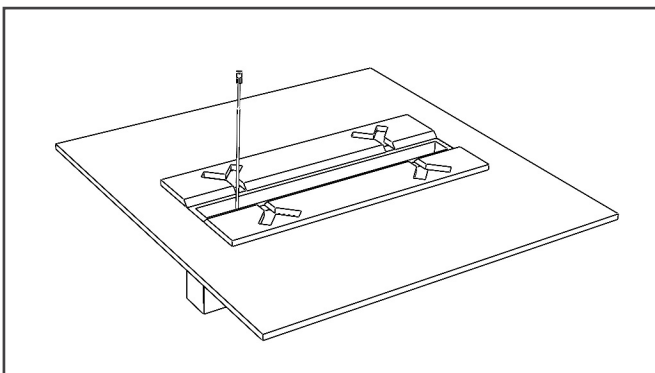
Fixture Installation Steps for T-Grid:



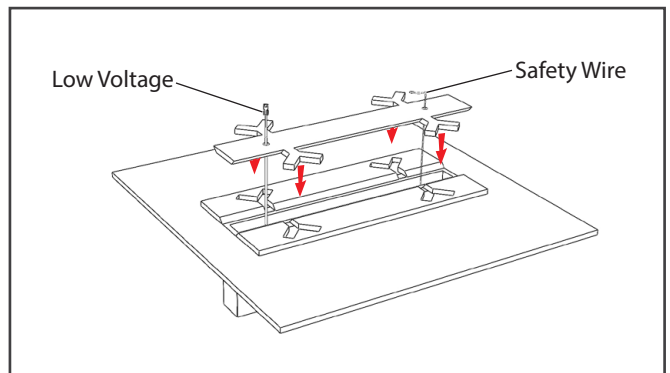
1 Remove Adhesive Tape Backing from the Cap Tile Piece.



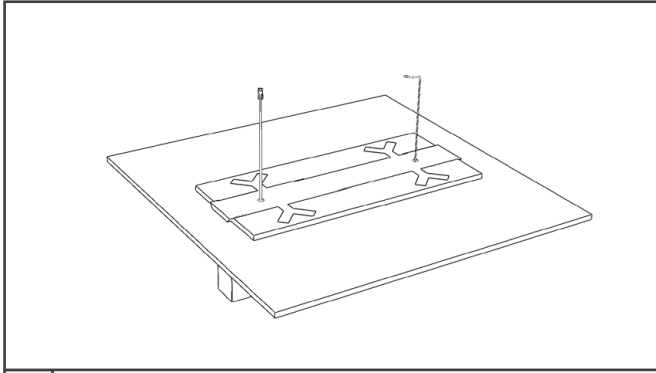
2 Insert the Light fixture tile through the Cap Tile.



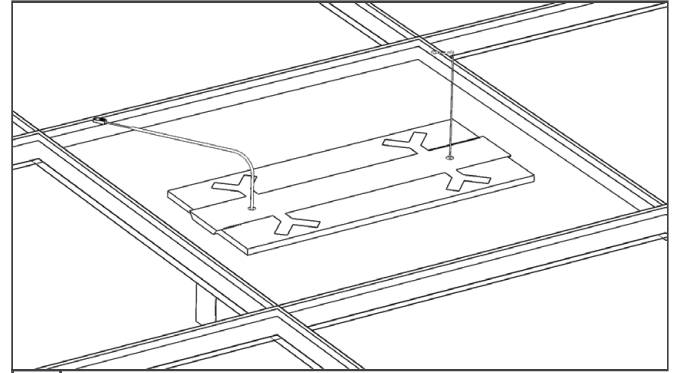
3 Push down the top flaps of the Light Fixture Tile against the adhesive on the Cap Tile.



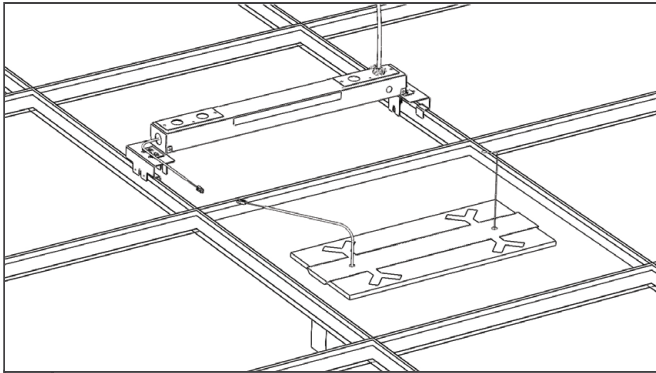
4 Feed low voltage wire and safety wire through the holes in the locking cap.



- 5 Push the Locking Cap Tile into the mating slots in the Light Fixture Tile.



- 6 Install the Slot Light Fixture assembly into the T-Grid ceiling.



- 7 Install the Remote Driver on the T-Grid next to the Fixture. Attach the Power wire to the Driver and connect the fixture to the driver with the low voltage wires. Attach Safety Wire to structure.