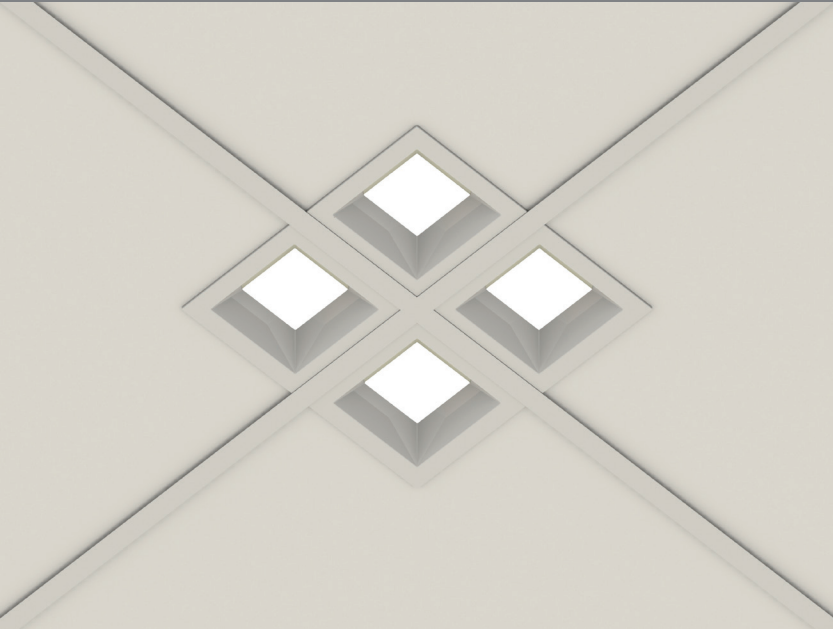


QUAD TBar

ARON™



Project: _____

 Type: _____

 Notes: _____

The **QUAD** Luminaire features a Patent-Pending mounting system over the intersection of the ceiling grid. The Quad is a modular Downlight fixture that allows for different configurations based on optical and aesthetic requirements.

Shown: QuadT1-FSQ-AR-BR-CR-DR-...

Ordering Guide

Important Ordering Notes:
 For Armstrong Custom Tile Program - please see page 7 and coordinate with EC/GC



Patent Pending
 5 Year Warranty



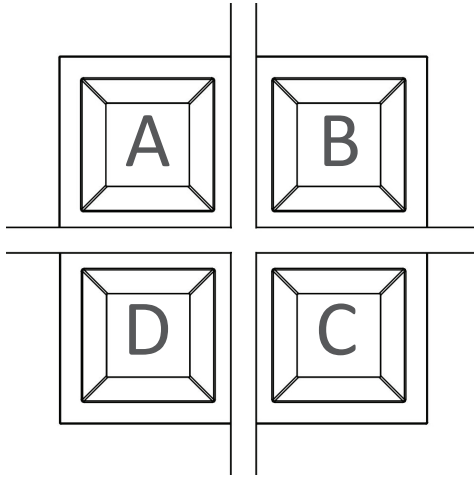
QuadT1							
ARON ID	GRID TYPE/SHAPE	QUADRANT A	QUADRANT B	QUADRANT C	QUADRANT D	LUMENS PER QUADRANT	
QuadT1 QUAD TBar	FSQ Flat Grid Square Quadrants	ARW Regressed Lens-Static White	BRW Regressed Lens-Static White	CRW Regressed Lens-Static White	DRW Regressed Lens-Static White	125	125 Lumens per Quadrant
	SSSQ Screw Slot Grid Square Quadrants	ARC Regressed Lens RGBW	BRC Regressed Lens RGBW	CRC Regressed Lens RGBW	DRC Regressed Lens RGBW	250	250 Lumens per Quadrant
	DWSQ Drywall Square Quadrants	AX No Quadrant	BX No Quadrant	CX No Quadrant	DX No Quadrant	400	400 Lumens per Quadrant
	P Center Panel					500	500 Lumens per Quadrant
						750	750 Lumens per Quadrant
						1000	1000 Lumens per Quadrant

BEAM	COLOR / CRI	VOLTAGE	DRIVER	FINISH	SENSORS/OPTIONS	
B2 Medium	27K8 2700K - 80CRI	UNV 120 - 277V	DM Factory 0-10V Dim 1% Bluetooth Control	W White	E10W	10W EM Battery
B3 Wide	30K8 3000K - 80CRI	UNV 347V	BT Bluetooth Control	C Custom Color	AWN	Athena Wireless Node RF Only
	35K8 3500K - 80CRI	POE Low Voltage PoE	DALI Dali System			
	40K8 4000K - 80CRI		DMX DMX System			
	27K9 2700K - 90CRI		LD2 Lutron DALI-2			
	30K9 3000K - 90CRI		LDE1 Lutron EcoSystem (1% Dimming)			
	35K9 3500K - 90CRI		PEQ0 Lutron EcoSystem (0.1% Dimming)			
	40K9 4000K - 90CRI					
RGBW _____	RGBW - specify color temp of W					

**See Page 4 for Bluetooth Information. Consult Factory

For More Configurations with Drop Lens, Wall Wash, Spotlight... See QUAD Configurations Spec Sheet

Ordering Instructions

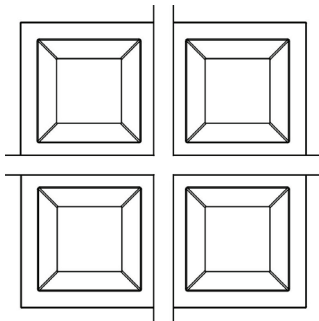


- Match labeled quadrant with corresponding column on ordering guide.
- Notate "R" to use quadrant with regressed lens.
- Notate "X" to omit quadrant from fixture.

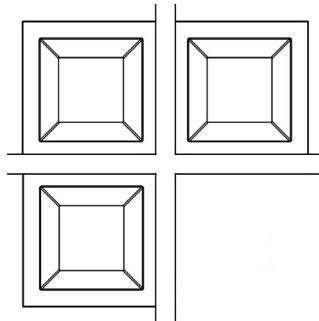
Notes:

- Coordinate lighting fixture install with ceiling contractor
- Contact your local Armstrong representative for Made-To-Order ceiling tiles. (See page 6)

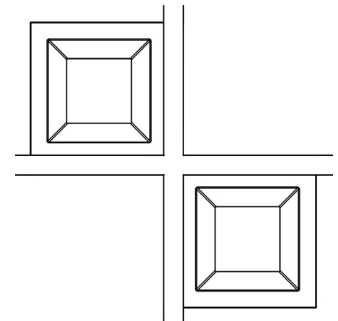
Sample Configurations



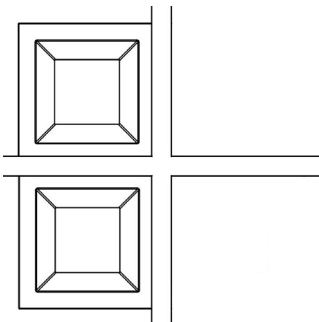
QuadT1-FSQ-ARW-BRW-CRW-DRW



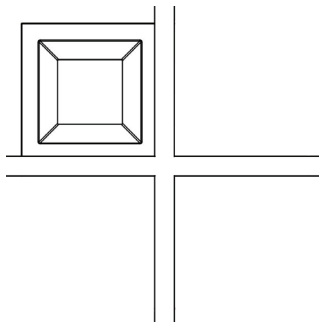
QuadT1-FSQ-ARW-BRW-CX-DRW



QuadT1-FSQ-ARW-BX-CRW-DX



QuadT1-FSQ-ARW-BX-CX-DRW

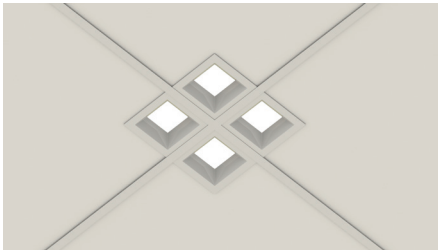


QuadT1-FSQ-ARW-BX-CX-DX

****SEE QUAD SOLO FOR MORE INFO**

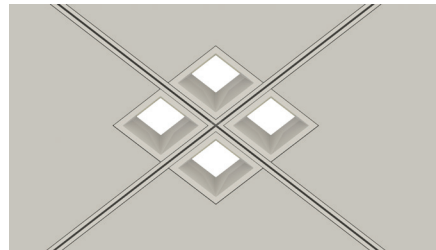
Housing Types

Flat Housing



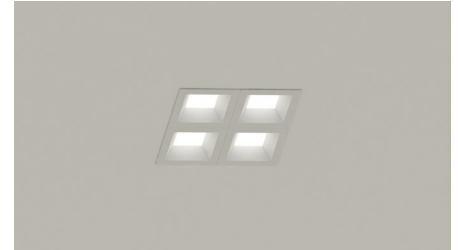
- Notate "FSQ" in Ordering Guide
- Designed for Flat 9/16" & 15/16" Grids

Screw Slot Housing



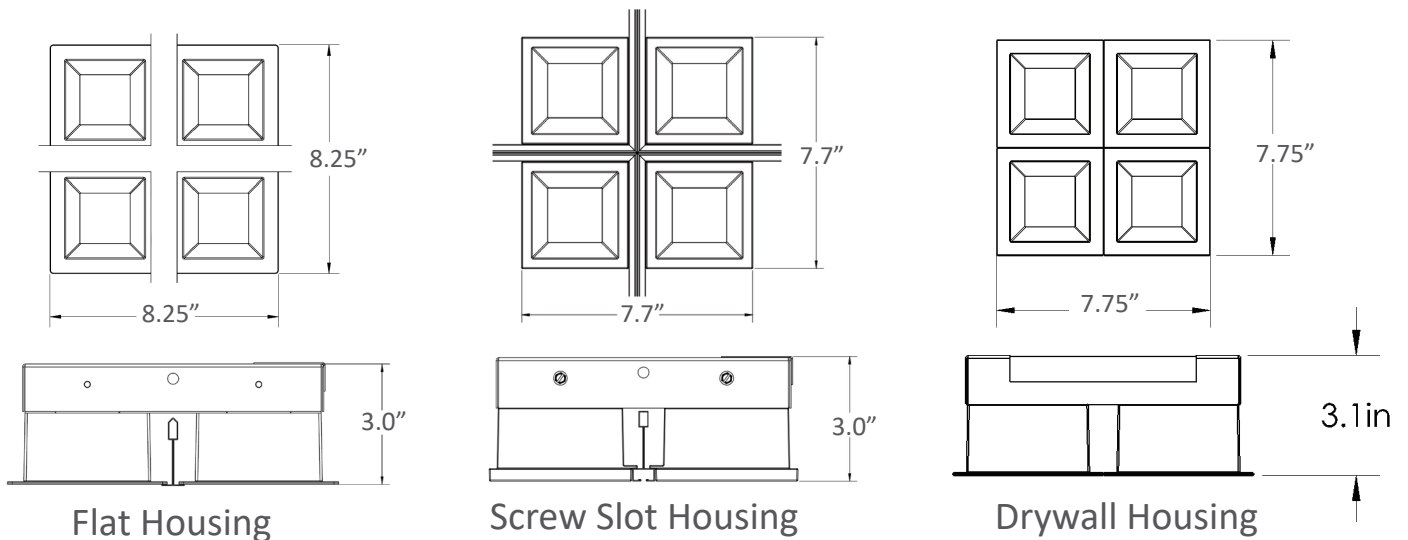
- Notate "SSSQ" in Ordering Guide
- Designed for Dimensional 9/16" Grids

Drywall Housing



- Notate "DWSQ" in Ordering Guide

Dimensions



Construction

- Cast Aluminum housing
- Powder coated paint
- Galvanized sheet metal components
- Mate with Flat 15/16", 9/16" and Dimensional 9/16" TBars

Optical

- Symmetric and asymmetric distributions
- Coated Acrylic light guide
- Coated Acrylic diffuser
- Minimum 80 or 90 CRI
- 3000K, 3500K, 4000K
- ≤ 3 SDCM

Electrical

- Integral high efficiency driver
- 0-10V dimming (1%) standard
- Class 2
- Optional remote battery pack

Weight

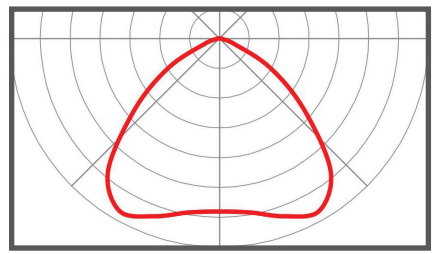
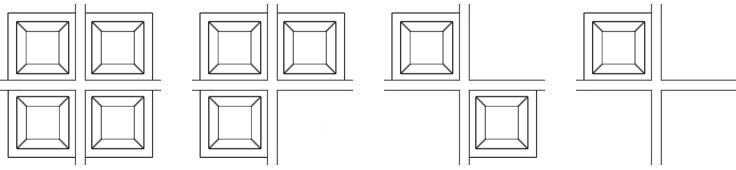
- 4Q = 10 lbs
- 3Q = 8.5 lbs
- 2Q = 7.0 lbs
- 1Q = 5.5 lbs

QUAD TBar

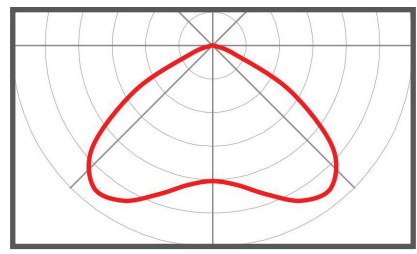
Beam Options

Contact factory for custom configurations

4, 3, 2D, 1 Quadrant Configurations

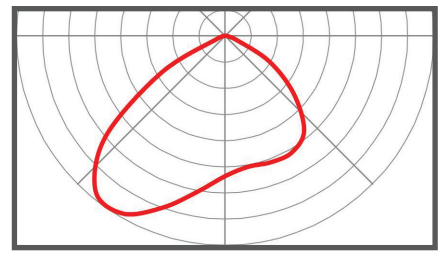
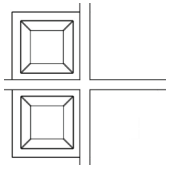


B2 - Medium



B3 - Wide

2 Quadrant Parallel



B4 - Asymmetric

Fixture Wattages

Lumens/Quadrant	Watts/Quadrant
125	1.53
250	3.0
500	6.0
750	9.0
1000	13.1
Lumens/Fixture	Watts/Fixture
750	9.0
1000	12.0
1500	18.1
2000	24.1
2500	30.1
3000	35.8
4000	52.4

Bluetooth Technology



BubblyNet

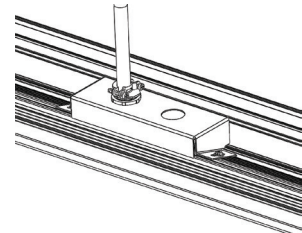
With our BubblyNet OEM partnership, realize the power of bluetooth lighting control! Offering wall controllers, integrated fixture sensors, tunable white/ rgbw control. Contact Factory for More Information



PoE Technology

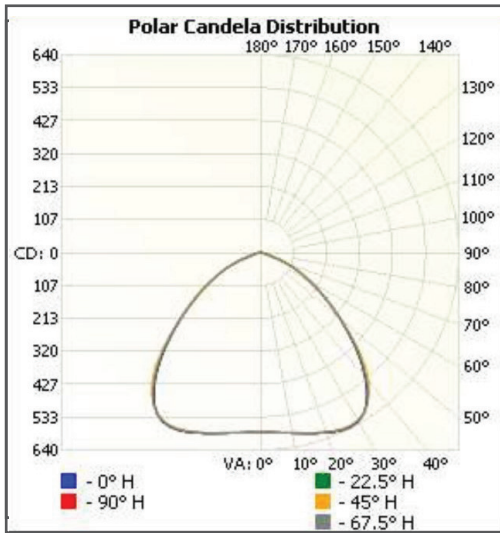


NuLEDs
Lighting Over IP®



Our Partnerships with Igor and NuLEDs offer PoE Integration using low voltage cat 5, cat 6 cabling. Contact Factory For more Information.

Model Tested: QuadT1-FSQ-AR-BR-CR-DR-400-B2-35K8-UNV-DM-W

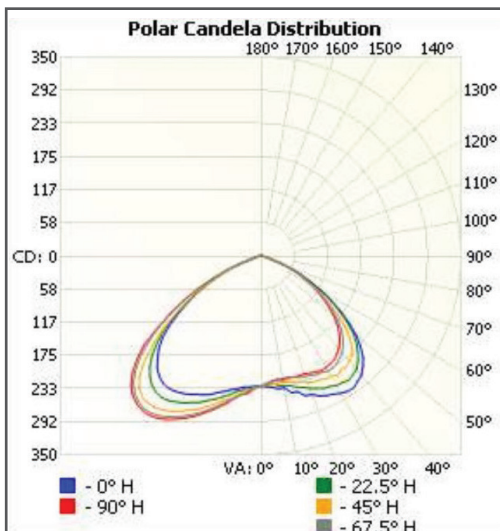


Configuration: 4 Quadrant
Lumens/Quadrant: 403
Total Lumens: 1613
Input Watts: 19.77 W
Efficacy: 81.6 lm/W

Vertical Angle	Horizontal Angles				
	0	22.5	45	67.5	90
0	582	582	582	582	582
5	585	585	585	584	585
10	594	593	593	592	593
15	606	606	604	604	606
20	620	620	618	619	621
25	633	632	629	631	633
30	631	629	628	629	632
35	598	598	602	600	599
40	526	530	543	532	528
45	433	437	451	441	437
50	337	340	340	344	340
55	250	256	249	259	253
60	180	189	177	187	182
65	122	124	121	127	122
70	59	67	70	69	60
75	21	22	27	22	21
80	11	11	11	11	11
85	3	3	3	3	3
90	0	0	0	0	0

Zonal Lumens		
Zone	Lumens	% Luminaire
0-10	56.1	3.5
10-20	172.0	10.7
20-30	291.1	18.0
30-40	370.9	23.0
40-50	338.0	20.9
50-60	229.2	14.2
60-70	122.3	7.6
70-80	29.9	1.9
80-90	4.4	0.3

Model Tested: QuadT1-FSQ-AR-BX-CX-DR-400-B4-35K8-UNV-DM-W



Configuration: 2 Quadrant Parallel
Lumens/Quadrant: 422
Total Lumens: 845
Input Watts: 9.76 W
Efficacy: 86.6 lm/W

Vertical Angle	Horizontal Angles				
	0	22.5	45	67.5	90
0	229	229	229	229	229
5	232	225	227	223	221
10	236	233	226	223	219
15	247	239	229	221	220
20	260	248	237	225	221
25	271	257	241	230	226
30	279	264	244	234	227
35	283	267	244	231	223
40	273	260	241	221	212
45	253	240	225	202	194
50	218	210	190	174	168
55	170	166	146	140	134
60	122	120	105	104	100
65	76	76	68	68	67
70	33	38	38	37	34
75	13	13	16	14	14
80	7	7	7	8	8
85	2	2	2	3	3
90	0	0	0	0	0

Zonal Lumens		
Zone	Lumens	% Luminaire
0-10	22.3	2.6
10-20	70.5	8.3
20-30	125.3	14.8
30-40	177.5	21
40-50	197.1	23.3
50-60	155.2	18.4
60-70	77.3	9.1
70-80	17.2	2
80-90	2.9	0.3

FASTSIZE Tile Guide

FASTSIZE tiles made-to-order through your Armstrong rep

Coordinate with EC and GC for ordering tiles



The sizes you need...factory finished...one carton minimums... shipped fast!

SIZE FLEXIBILITY

- ✓ 4"-48" long and 4"-120" wide for panels
- ✓ 36"-144" for main beams
- ✓ 6"-144" for cross tees

FAST LEAD TIMES

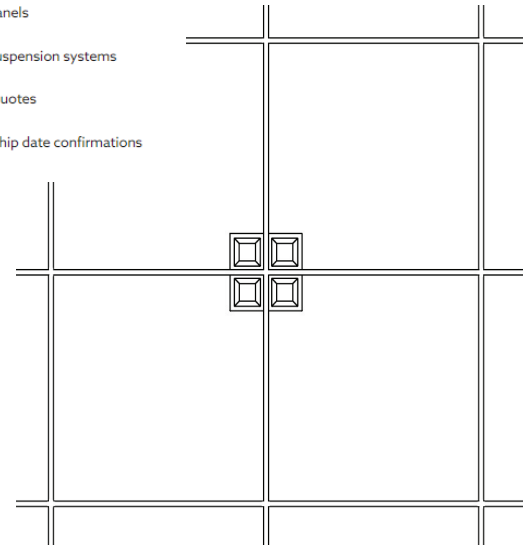
- ✓ 3 weeks for panels
- ✓ 2 weeks for suspension systems
- ✓ 24 hours for quotes
- ✓ 24 hours for ship date confirmations

24"x24" Quad Notched Tiles

Armstrong Tile Style	Tile Lay	Armstrong Tile Number	ARON Fixture	ARON Precut Tile Number
Ultima/ Ultima High NRC	Square	1940	QUAD Square	1940-QSQ
Ultima/ Ultima High NRC	Tegular	1941	QUAD Square	1941-QSQ
Lyra PB*	Square	8372PB	QUAD Square	8372PB-QSQ
Optima PB	Square	3352	QUAD Square	3352-QSQ
Calla*	Tegular	2824	QUAD Square	2824-QSQ

* Directional Panel - Please consider direction when ordering through Armstrong

GC to Coordinate with EC and Armstrong Rep for ordering with ARON tile codes
Save on Install Time and Hassle - for any questions please contact rob.aronchick@aronlighting.com



*Below ceiling view

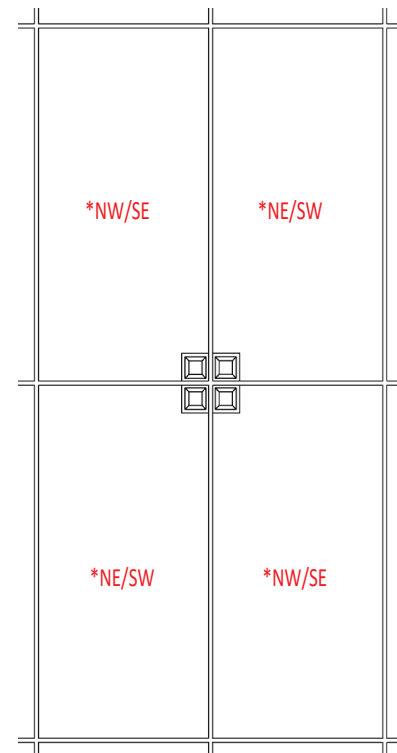
24"x48" Quad Notched Tiles

Armstrong Tile Style	Tile Lay	Armstrong Tile Number	ARON Fixture	Con figuration	ARON Precut Tile Number
Ultima/ Ultima High NRC**	Square	1943	QUAD Square	NE/SW	1943-QSQ-NESW
Ultima/ Ultima High NRC**	Tegular	1944	QUAD Square	NE/SW	1944-QSQ-NESW
Ultima/ Ultima High NRC**	Square	1943	QUAD Square	NW/SE	1943-QSQ-NWSE
Ultima/ Ultima High NRC**	Tegular	1944	QUAD Square	NW/SE	1944-QSQ-NWSE
Lyra PB***	Square	8373PB	QUAD Square	NE/SW	8373PB-QSQ-NESW
Optima PB**	Square	3353	QUAD Square	NE/SW	3353-QSQ-NESW
Optima PB**	Square	3353	QUAD Square	NW/SE	3353-QSQ-NWSE
Calla***	Tegular	2825	QUAD Square	NE/SW	2825-QSQ-NESW
Calla***	Tegular	2825	QUAD Square	NW/SE	2825-QSQ-NWSE

** Please Notify AWI of 2x4 Panel Grid Notch

***Directional Panel - Please Consider Direction when ordering through Armstrong. Notify AWI of 2x4 Panel Grid Notch

GC to Coordinate with EC and Armstrong Rep for ordering with ARON tile codes
Save on Install Time and Hassle - for any questions please contact rob.aronchick@aronlighting.com

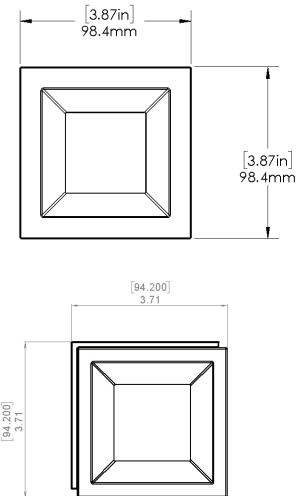
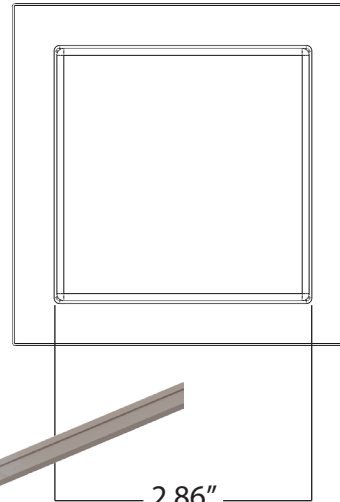
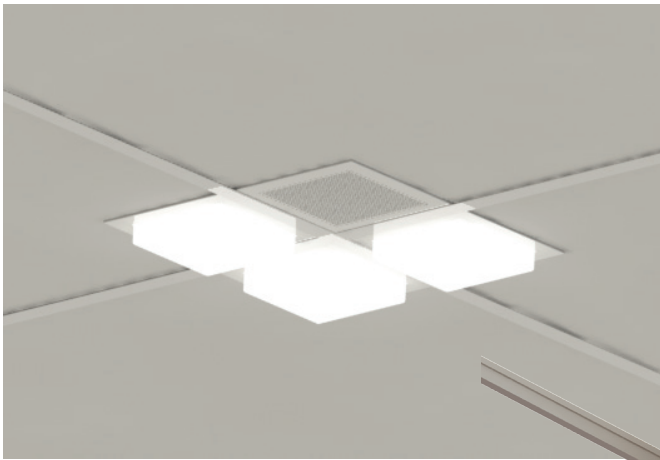


*Below ceiling view

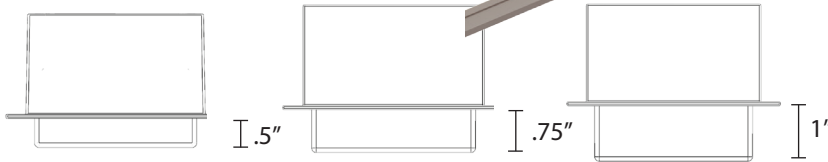
Lens Options

Drop Lens

The QUAD offers a new and unique look with its drop lens option. Made from thermoformed acrylic optimum light diffusion material, the drop lens creates a dimensional look within the ceiling while providing functional lighting. Drop lens lengths available in .5", .75", and 1"



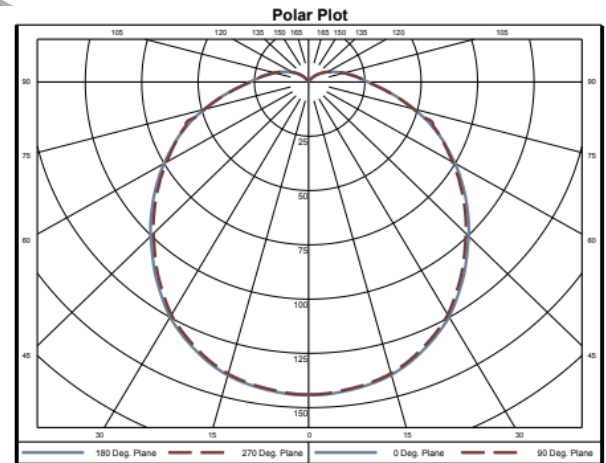
QuadT1-FSQ-ASP-K-BDL1"-CDL1"-DDL1"



Model Tested:

QUADT1-FSQ-DL1-500-B3-35K8-UNV-DM-W

Zone	Lumens	% of Luminaire
0-40	187	32.7%
0-60	341	59.8%
0-90	504	88.3%
90-180	67	11.7%



Zonal Lumen Summary

Zone	Lumens	% of Luminaire	Zone	Lumens	% of Luminaire	Zone	Lumens	% of Luminaire
0-5	3.44	0.6%	60-65	35.34	6.2%	120-125	3.64	0.6%
5-10	10.21	1.8%	65-70	32.89	5.8%	125-130	2.57	0.4%
10-15	16.72	2.9%	70-75	29.60	5.2%	130-135	1.72	0.3%
15-20	22.73	4.0%	75-80	25.49	4.5%	135-140	1.04	0.2%
20-25	28.00	4.9%	80-85	21.58	3.8%	140-145	0.53	0.1%
25-30	32.44	5.7%	85-90	17.96	3.1%	145-150	0.21	0.0%
30-35	35.72	6.3%	90-95	14.96	2.6%	150-155	0.07	0.0%
35-40	37.83	6.6%	95-100	12.37	2.2%	155-160	0.04	0.0%
40-45	38.92	6.8%	100-105	10.16	1.8%	160-165	0.04	0.0%
45-50	39.28	6.9%	105-110	8.22	1.4%	165-170	0.03	0.0%
50-55	38.73	6.8%	110-115	6.48	1.1%	170-175	0.02	0.0%
55-60	37.36	6.5%	115-120	4.95	0.9%	175-180	0.01	0.0%