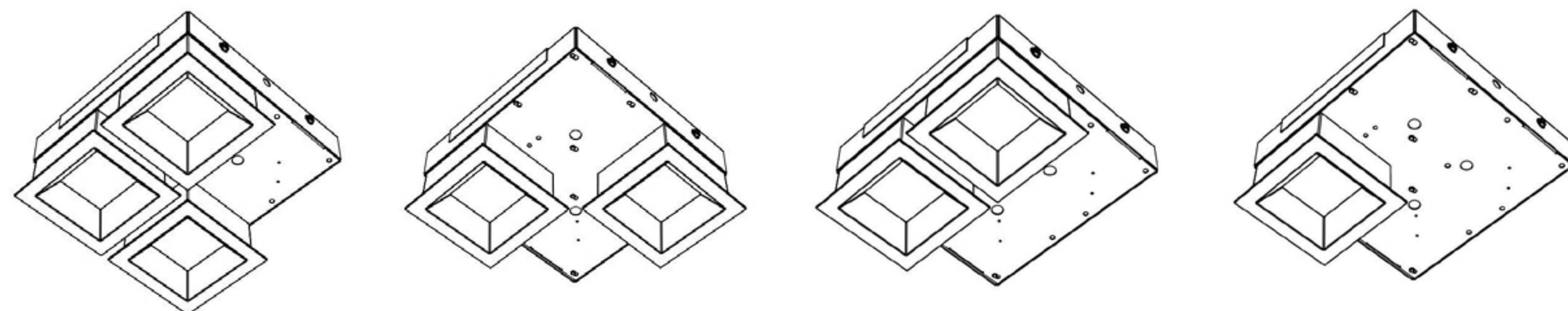


QUAD TBar

Installation Instructions for 3, 2, 1 Quadrant Configurations

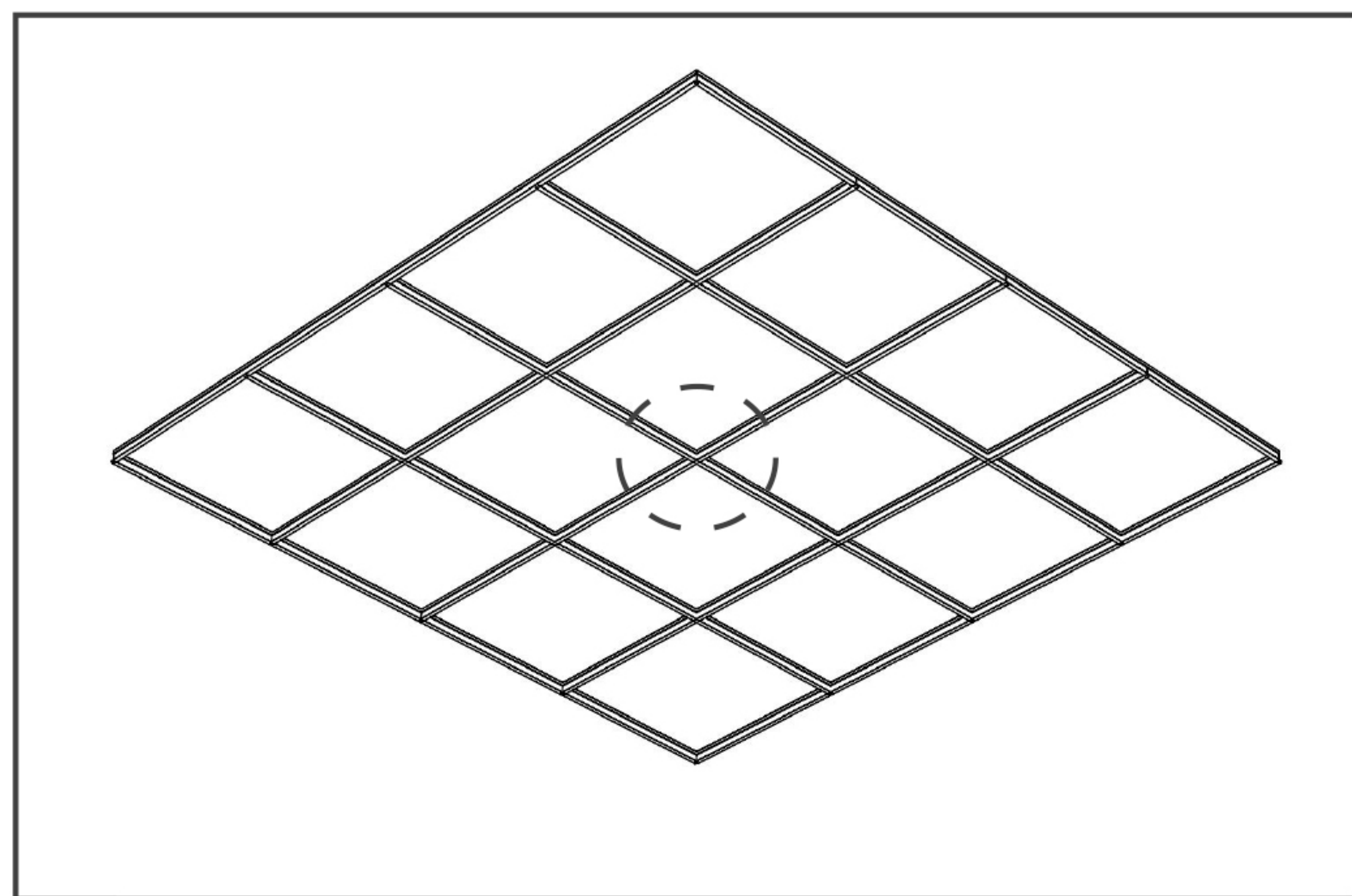


PLEASE READ ALL INSTRUCTIONS CAREFULLY BEFORE INSTALLING. RISK OF FIRE AND ELECTRICAL SHOCK. FIXTURE MUST BE INSTALLED BY A QUALIFIED ELECTRICIAN. ALL INSTALLS SHOULD BE IN ACCORDANCE WITH NATIONAL, LOCAL BUILDING AND ELECTRICAL CODES. ALL WIRES AND MATERIALS USED FOR INPUT/OUTPUT MUST BE UL APPROVED.

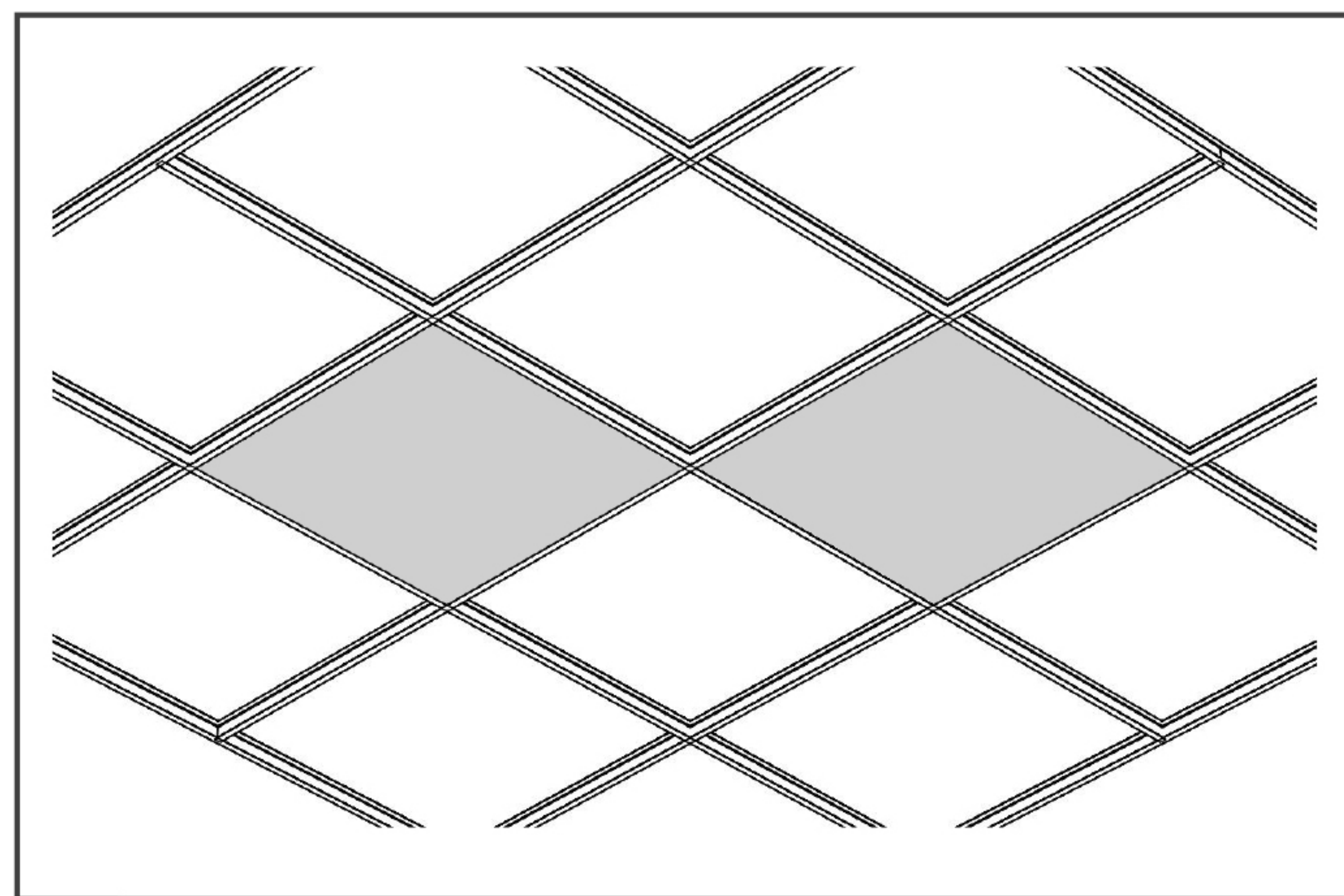


****Installation Instructions show 2 Quadrant Diagonal Configuration****
****Similar process applies for 3, 2 Parallel and 1 Quadrant Configurations****

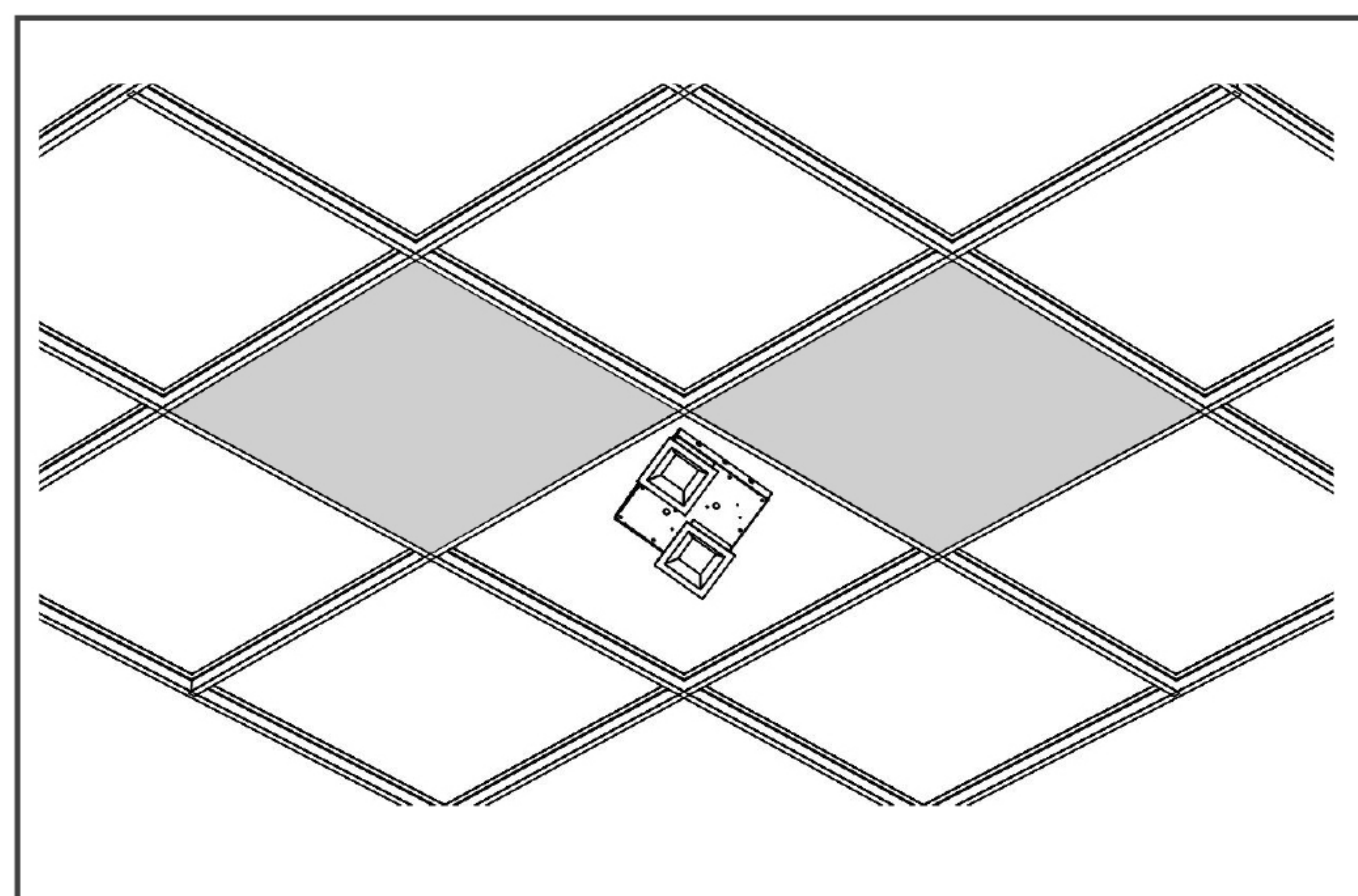
Fixture Installation Steps:



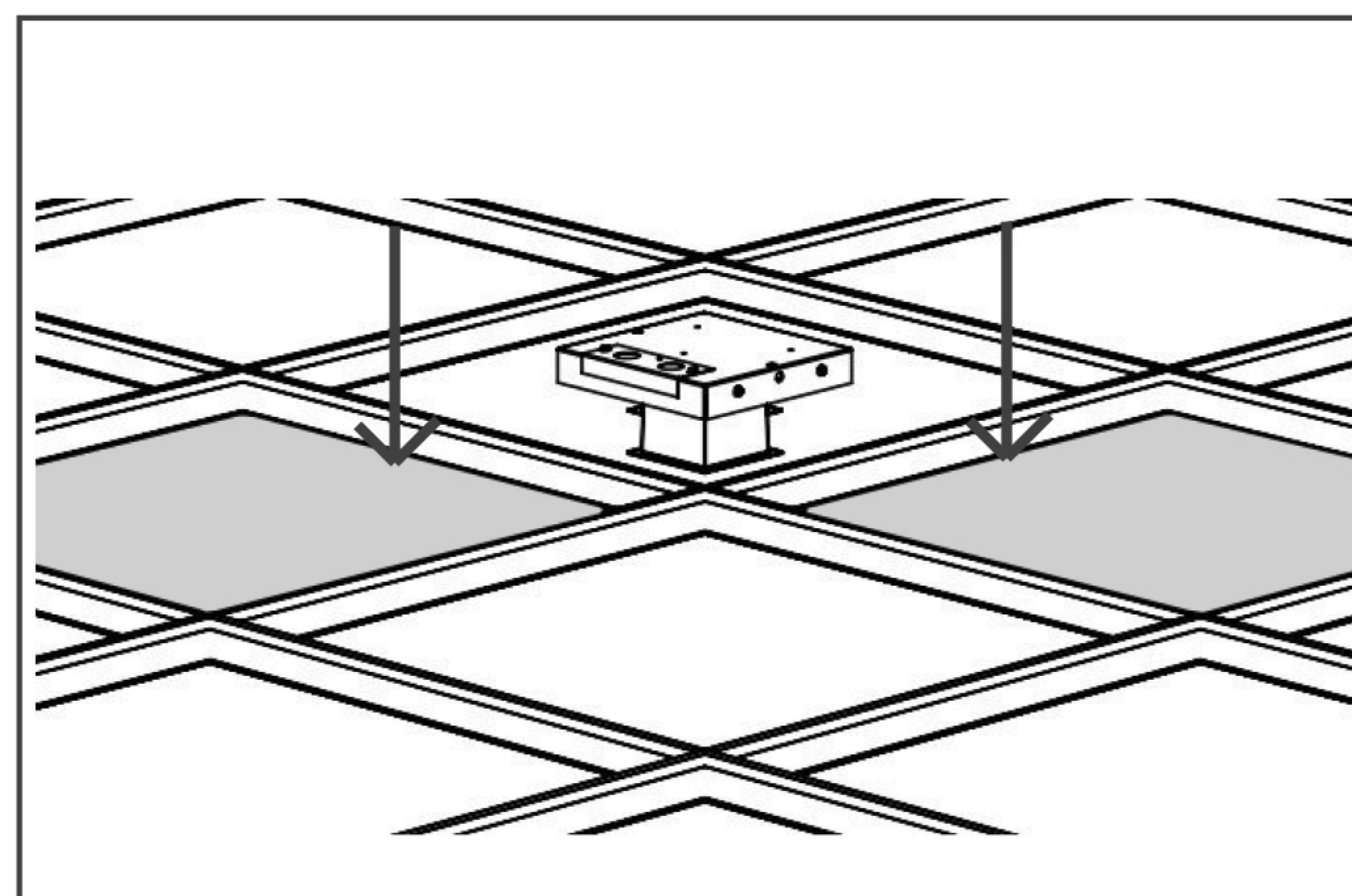
1 Prepare for QUAD installation by moving any tie wires away from intersection of grid where QUAD fixture will be installed.



2 Install standard ceiling tiles in sections without quadrants.



3 Insert fixture into ceiling grid.



4 Lay fixture on the grid at the T-Bar intersection.