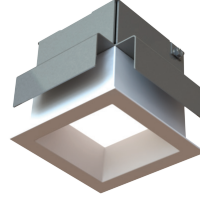


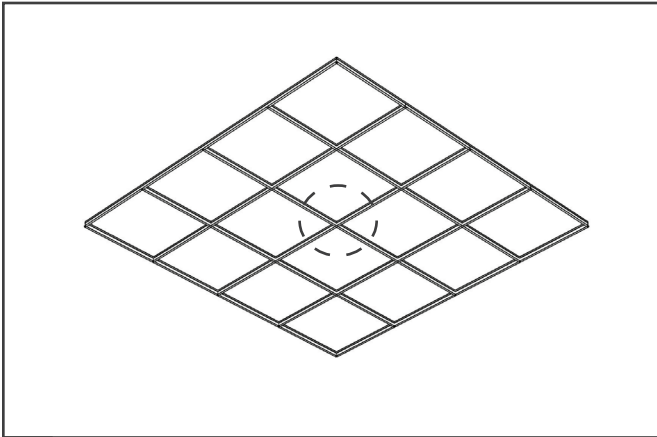
QUAD TBar

Installation Instructions for SOLO at Grid Intersection

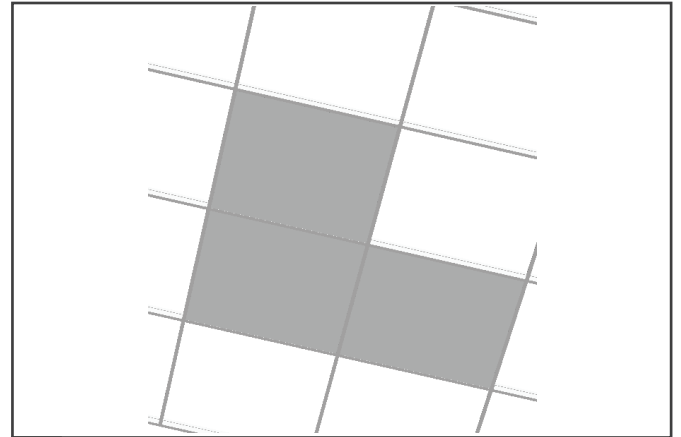
PLEASE READ ALL INSTRUCTIONS CAREFULLY BEFORE INSTALLING. RISK OF FIRE AND ELECTRICAL SHOCK. FIXTURE MUST BE INSTALLED BY A QUALIFIED ELECTRICIAN. ALL INSTALLS SHOULD BE IN ACCORDANCE WITH NATIONAL, LOCAL BUILDING AND ELECTRICAL CODES. ALL WIRES AND MATERIALS USED FOR INPUT/OUTPUT MUST BE UL APPROVED.



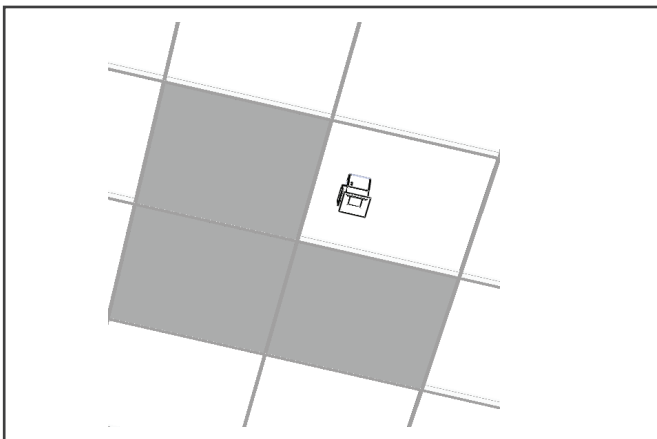
Fixture Installation Steps:



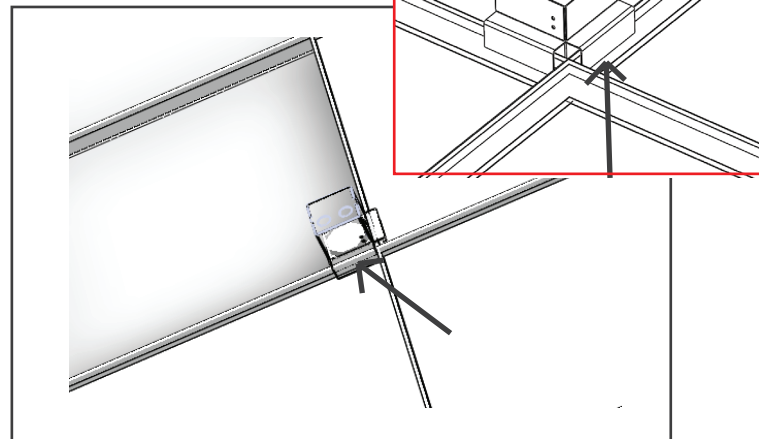
- 1 Prepare for QUAD installation by moving any tie wires away from intersection of grid where QUAD fixture will be installed.



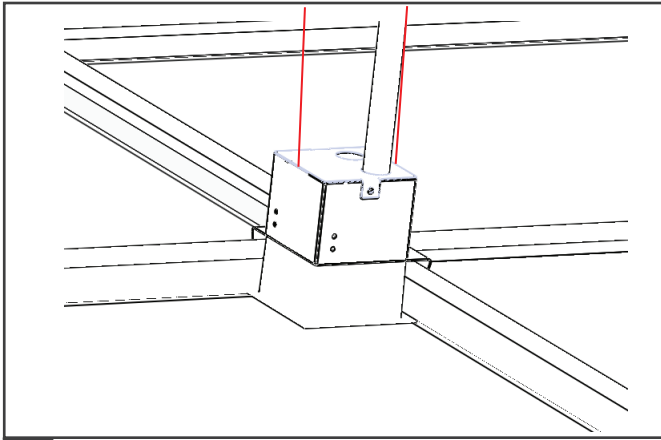
- 2 Install standard ceiling tiles in sections without quadrants.



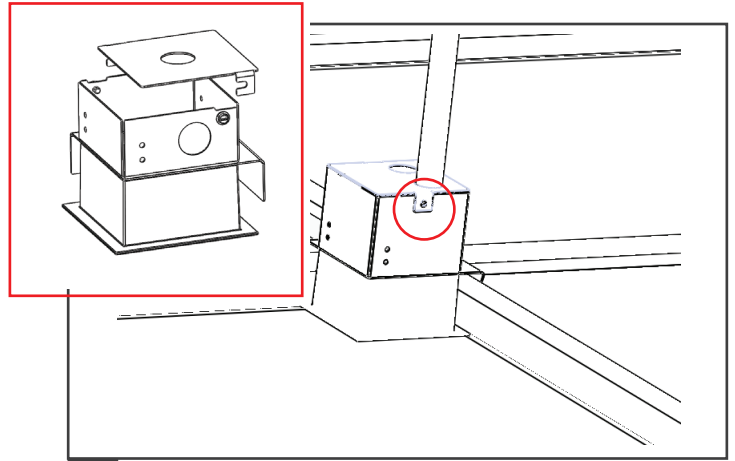
- 3 Insert fixture into ceiling grid.



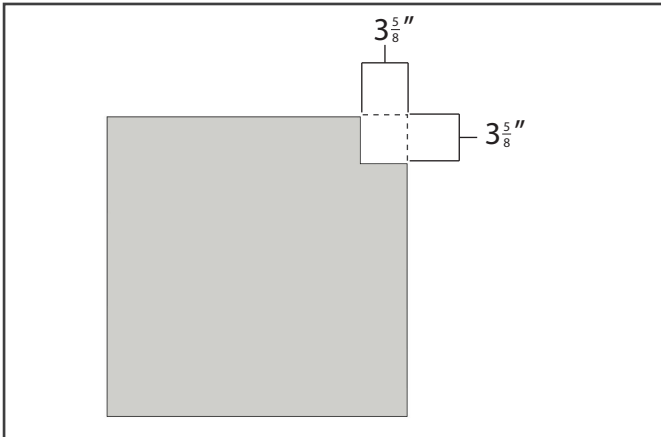
- 4 Lay fixture on the grid at the T-Bar intersection. Hooks on the side of the fixture sit on the T-Bar.



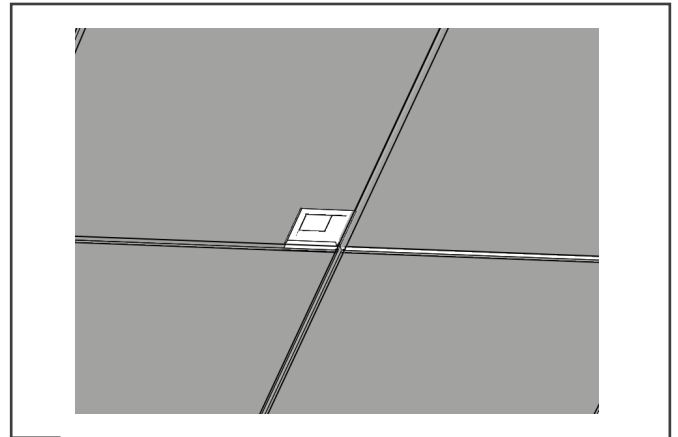
5 Tie fixture to deck using tie-up holes on the back of the fixture.



6 Unscrew hex heads located on the top of the driver box. Complete electrical connection through fixture Access Plate.



7 Cut 3 5/8" x 3 5/8" notch in ceiling tiles adjacent to fixture.



8 Install notched ceiling tiles adjacent to fixture.

NOTE: Custom pre-cut ceiling tiles are available through Armstrong. Contact factory for info.