

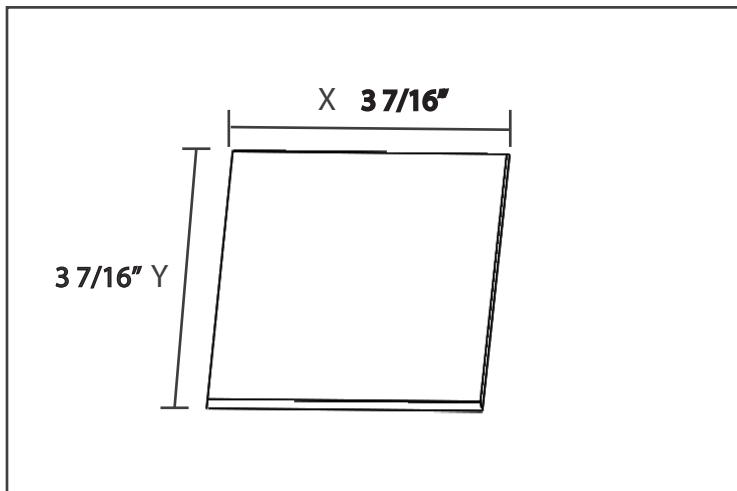
QUADT1

Installation Instructions for QUAD Solo Drywall

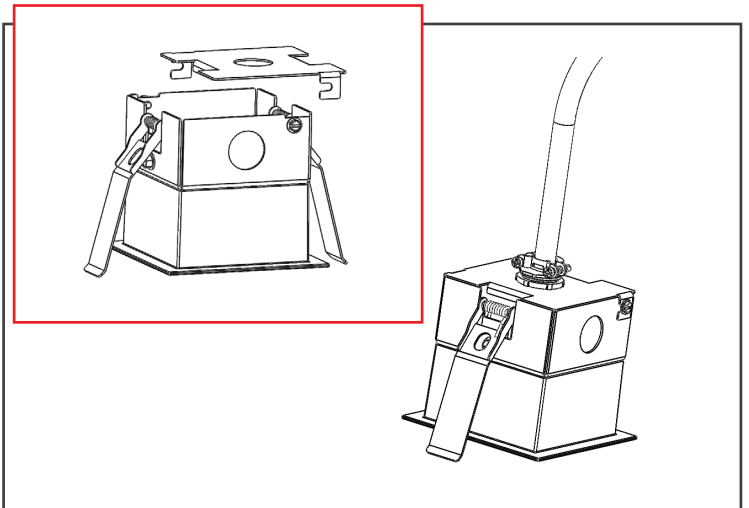
PLEASE READ ALL INSTRUCTIONS CAREFULLY BEFORE INSTALLING. RISK OF FIRE AND ELECTRICAL SHOCK. FIXTURE MUST BE INSTALLED BY A QUALIFIED ELECTRICIAN. ALL INSTALLS SHOULD BE IN ACCORDANCE WITH NATIONAL, LOCAL BUILDING AND ELECTRICAL CODES. ALL WIRES AND MATERIALS USED FOR INPUT/OUTPUT MUST BE UL APPROVED.



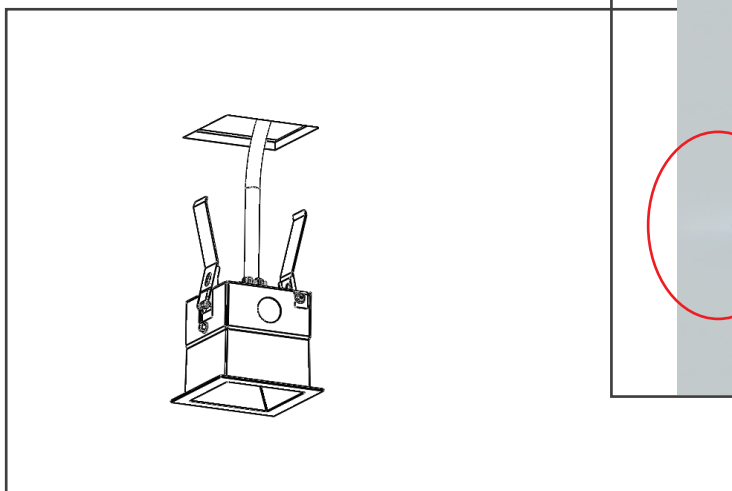
Installation Steps



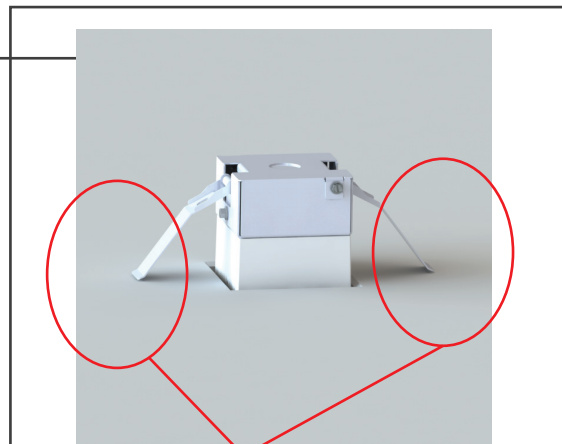
1 Once the drywall is installed, cut a 3 7/16" x 3 7/16" square for the fixture.



2 With the fixture still below the ceiling, complete all electrical wiring. Be sure that all sheet metal plates and boxes are secured.
**TEST to ensure that it is lighting up and working properly



3 Bend Spring Clips upward and raise fixture into ceiling Hole.



***Spring Clips will push against the top of drywall to secure the fixture.

