

# QUAD TBar Round

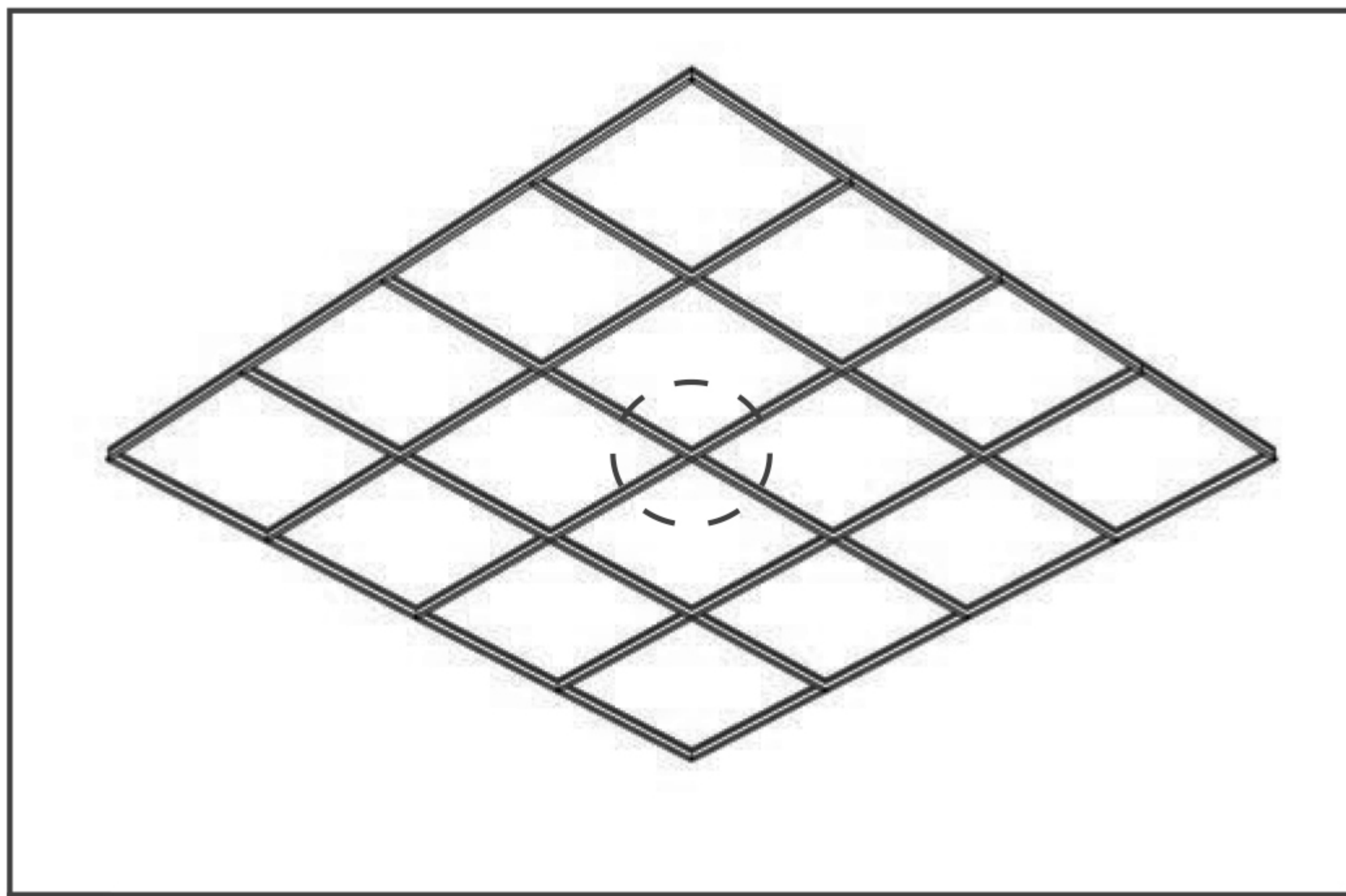
## Installation Instructions for 4 Quadrant Configuration



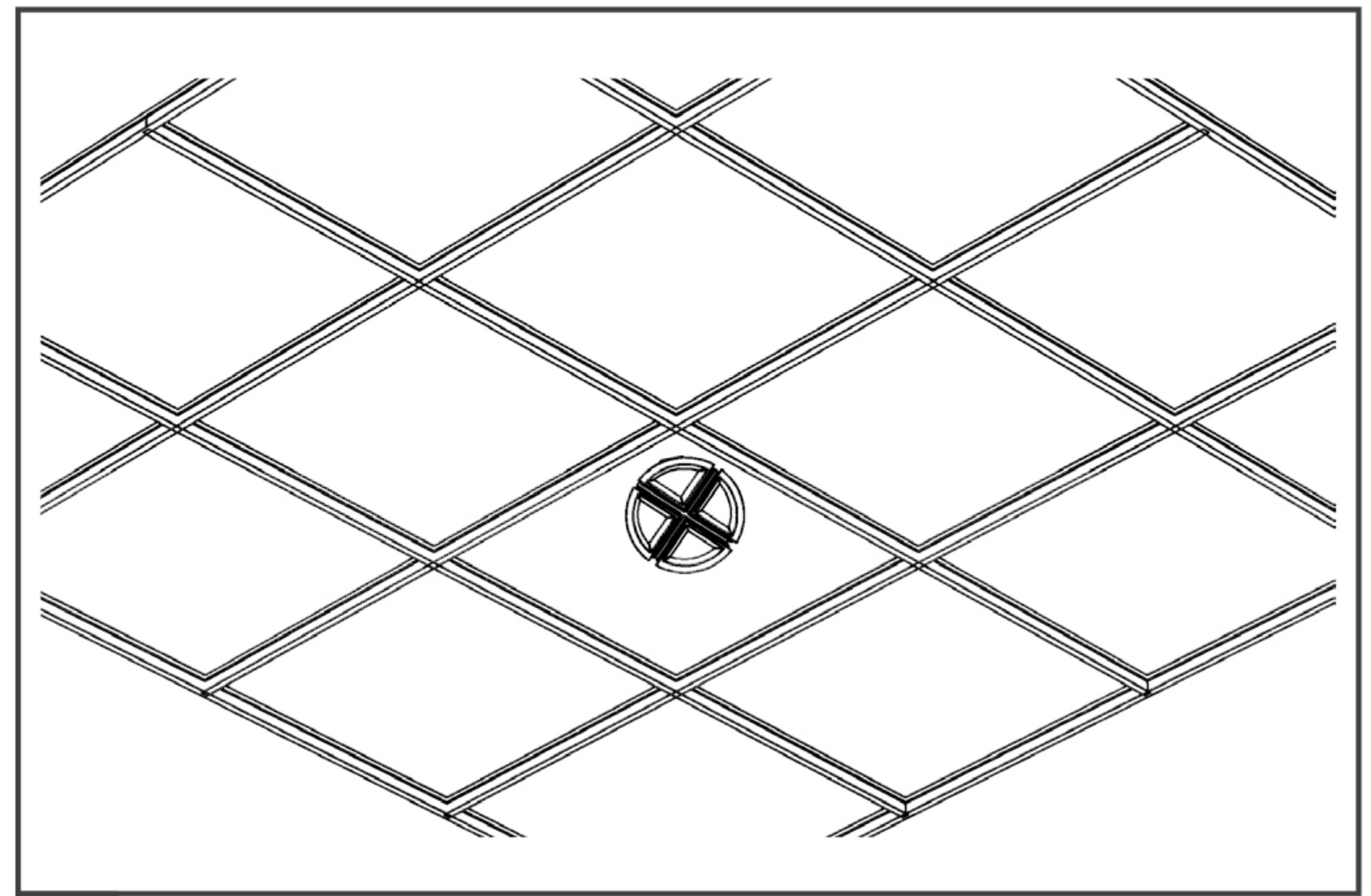
PLEASE READ ALL INSTRUCTIONS CAREFULLY BEFORE INSTALLING. RISK OF FIRE AND ELECTRICAL SHOCK. FIXTURE MUST BE INSTALLED BY A QUALIFIED ELECTRICIAN. ALL INSTALLS SHOULD BE IN ACCORDANCE WITH NATIONAL, LOCAL BUILDING AND ELECTRICAL CODES. ALL WIRES AND MATERIALS USED FOR INPUT/OUTPUT MUST BE UL APPROVED.



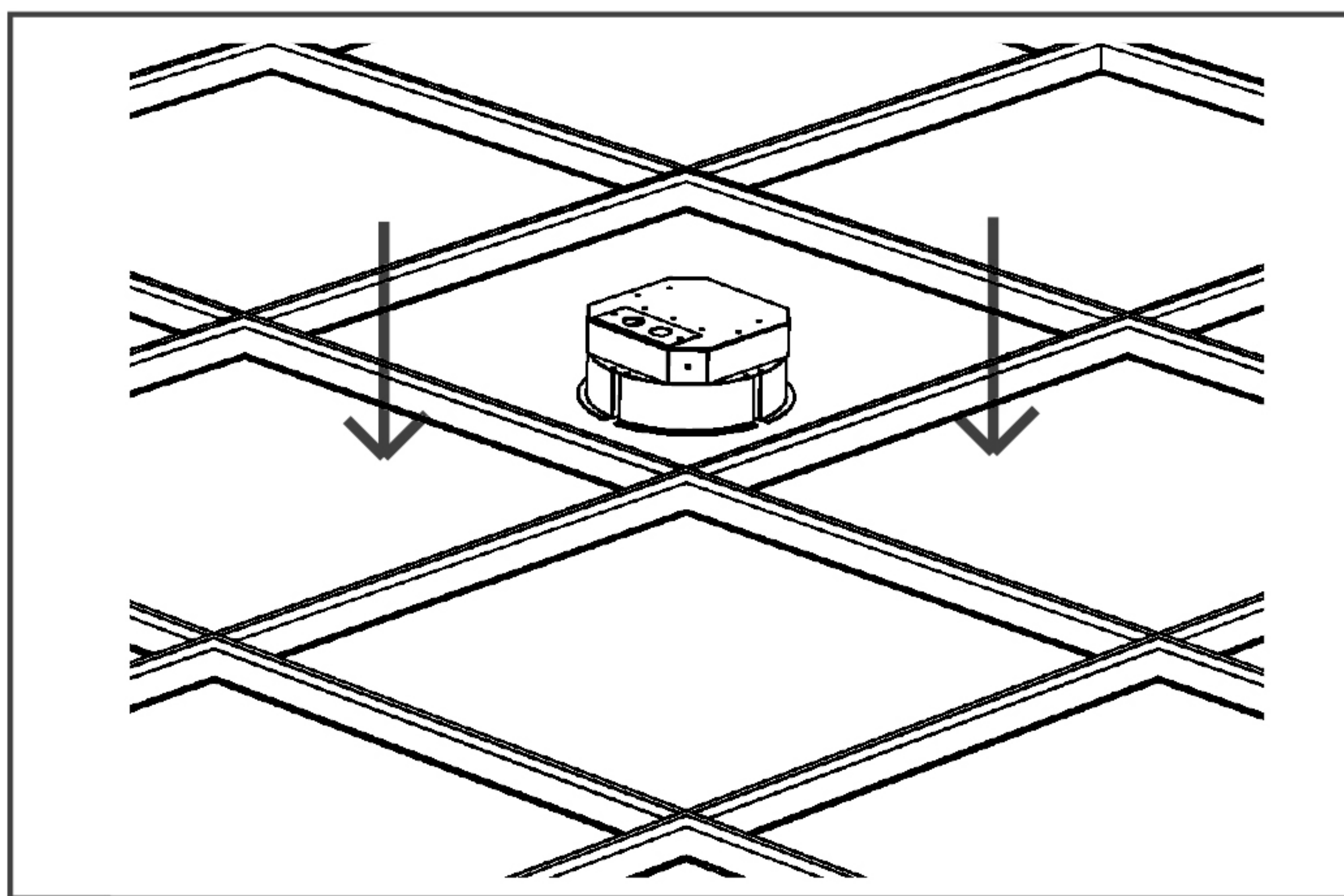
### Fixture Installation Steps:



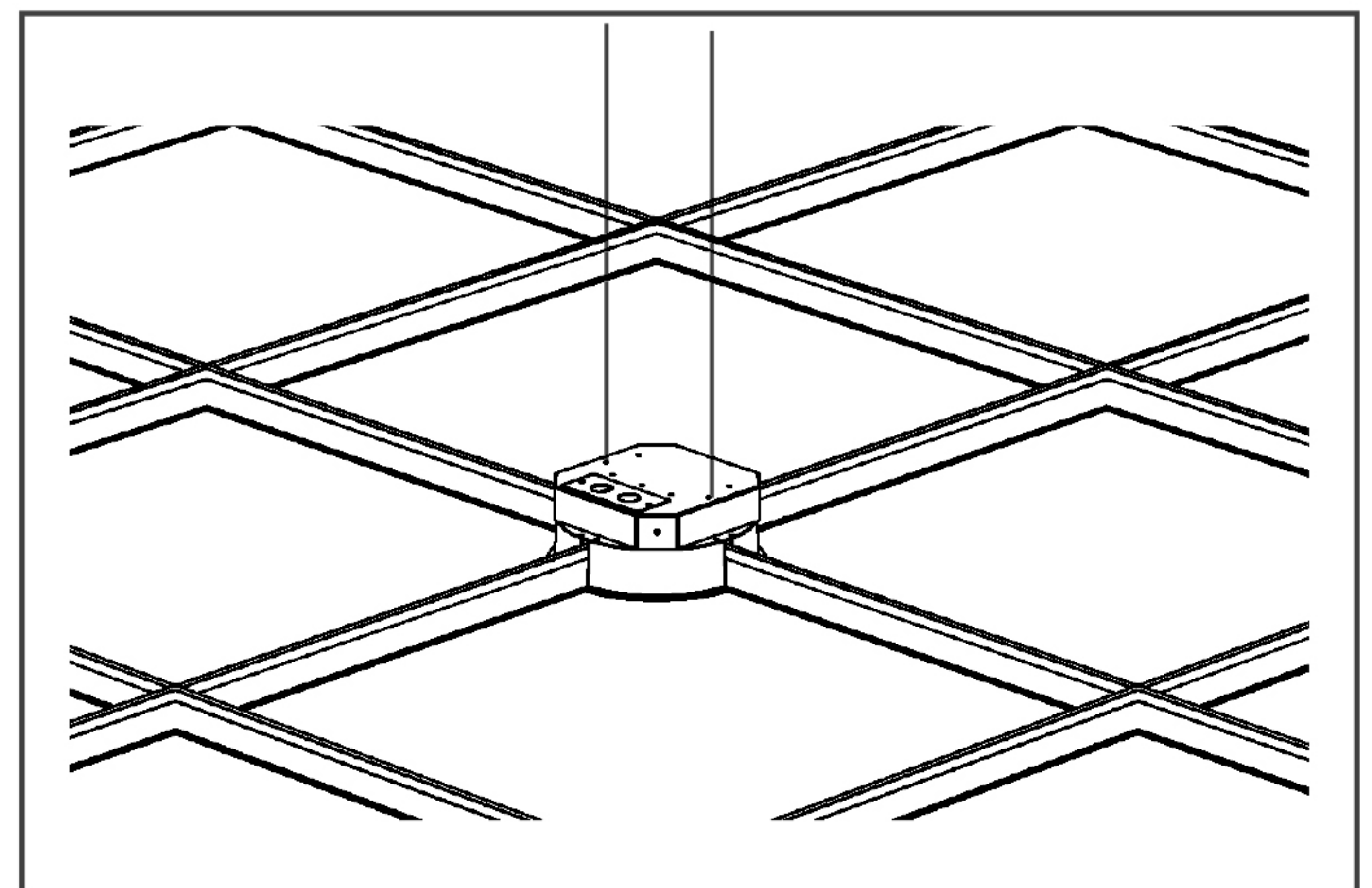
1 Prepare for QUAD installation by moving any tie wires away from intersection of grid where QUAD fixture will be installed.



2 Insert fixture into ceiling grid.



3 Lay fixture on the grid at the T-Bar intersection.



4 Tie fixture to deck using tie-up holes on the back of the fixture.