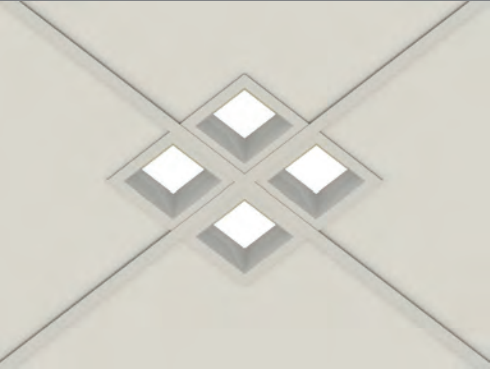


QUAD Family

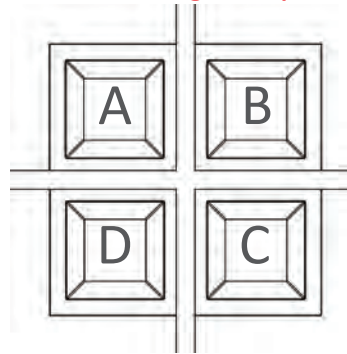
ARON™



The **QUAD** Luminaire features a Patented mounting system over the intersection of the ceiling grid. The Quad is a modular Downlight fixture that allows for different configurations based on optical and aesthetic requirements.

SEE PAGE 6 For More Ordering Examples

*FASTSIZE tiles made-to-order through your Armstrong rep. Contact Armstrong for compatible tiles



Project: _____
 Type: _____
 Notes: _____

5 Year Warranty



Patent - US Utility Patent # 10,859,242
 Patent - US Design Patent # D885650

Shown: QuadT1-FSQ-ARB240K8500-BRB240K8500-CRB240K8500-DRB240K8500-...

1. ARON ID

QUADT1
QUADT1 QUAD

2. CEILING TYPE

FSQ Flat Grid - Square Quadrants
SSSQ Screw Slot Grid - Square Quadrants
DWSQ Drywall Trim - Square Quadrants
*DW Only Available in 4 or 1 quadrants - See QUAD SOLO

3. QUADRANT A

| Light Source | CCT/CRI | Lumens |
|--------------|-----------|--------|
| RB1 | W35K8 | 500 |
| -OR- | | |
| Device | Add. Spec | |

LED A

*EX.

IoT A

*EX.

Light Source

- RB1** Regressed Lens - Beam 1 Medium
- RB2** Regressed Lens - Beam 2 Wide
*Reference Page 3 for beam distributions.
- DL** Drop Lens
* Specify Drop Length (.5", .75", 1")
*Reference Page 4 for Droplens
- SL** Spotlight
*Reference Page 9 and enter Spotlight Specification as separate line item on PO
*Spotlight Only Available in 90CRI

- WW1** Wall Wash Beam 1
- WW2** Wall Wash Beam 2

*(N,E,S,W) Must Specify Direction of Light - See diagram On Page 5

*FOR NO QUADRANT - LIST "X" In Light Source

4. QUADRANT B

| Light Source | CCT/CRI | Lumens |
|--------------|-----------|--------|
| RB1 | W35K8 | 500 |
| -OR- | | |
| Device | Add. Spec | |

B

B

CCT/CRI

- W** Static White
*Specify CCT
27K8 - 2700K, 80CRI
27K9 - 2700K, 90CRI
30K8 - 3000K, 80CRI
30K9 - 3000K, 90CRI
35K8 - 3500K, 80CRI
35K9 - 3500K, 90CRI
40K8 - 4000K, 80CRI
40K9 - 4000K, 90CRI

-OR-
C RGBW

- *Specify White CCT
*Only Available for R & DL & WW Light Sources
27K8 - 2700K, 80CRI
27K9 - 2700K, 90CRI
30K8 - 3000K, 80CRI
30K9 - 3000K, 90CRI
35K8 - 3500K, 80CRI
35K9 - 3500K, 90CRI
40K8 - 4000K, 80CRI
40K9 - 4000K, 90CRI

5. QUADRANT C

| Light Source | CCT/CRI | Lumens |
|--------------|-----------|--------|
| SLR | W35K9 | 1200 |
| -OR- | | |
| Device | Add. Spec | |

C

C

Quadrant Lumens

- 125** 125 lm @ 1.5 W
- 250** 250 lm @ 3.1 W
- 400** 400 lm @ 4.8 W
- 500** 500 lm @ 6.0 W
- 750** 750 lm @ 9.0 W
- 1000** 1000 lm @ 12.1 W

**Contact factory for different lumen packages within the same fixture (i.e) ARB1W30K8500_BRB1W30K8300
 **Quadrant Wattage Taken @ 35K8 with RB1 Lensing
 **For Spotlight Lumen Packages, Refer to Page 9

*FOR NO QUADRANT - LIST "X" In Light Source

6. QUADRANT D

| Light Source | CCT/CRI | Lumens |
|--------------|-----------|--------|
| -OR- | | |
| Device | Add. Spec | |

D

D

IoT

- SPK** Speaker *Reference Page 11 and enter Speaker Code in Add. Spec
- SNR** Sensor *Reference Page 13 and enter Sensor Code in Add. Spec
- SEC** Security *Contact Factory For Details Security Camera Code in Add. Spec

*Contact Factory For Different Paint Color Options of IoT Devices - White Color Standard

7. VOLTAGE

| EX. | UNV |
|------------|---------------------|
| UNV | 120-277V |
| 347 | 347V |
| POE | Power over Ethernet |

8. DRIVER/CONTROL

| EX. | DM |
|-------------|---------------------------------|
| DM | Factory 0-10V Dim 1% |
| BT | Bluetooth |
| DALI | Dali System |
| DMX | DMX System |
| LD2 | Lutron DALI-2 |
| LDE1 | Lutron EcoSystem (1% Dimming) |
| PEQO | Lutron EcoSystem (0.1% Dimming) |

**See Page 3 for Bluetooth Information. Consult Factory

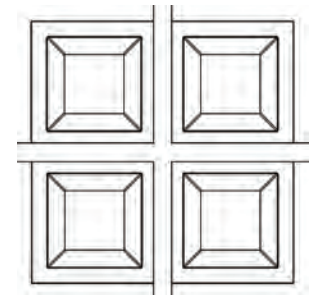
9. FINISH

| EX. | W |
|------------|---|
| W | Matte White |
| BLK | Matte Black |
| C1 | Custom Color (Specify RAL) |
| C2 | Custom Color (Trim & Bevel Different Colors) *Contact Factory C2 - Custom Trim & Bevel |

10. EM/OPTIONS

| | EM10 |
|-------------|---|
| E10W | Emergency 10W; Integral |
| ICC | Independent Quadrant Dimming Control (Max 2 Dimming Channels) |
| CP | Chicago Plenum |
| AWNR | Athena Wireless Node RF Only |
| AWNS | Athena Wireless Node with Sensors |

EXAMPLE Fixture

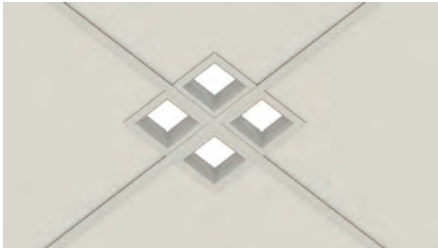


QuadT1-FSQ-ARB1W35K8500-BRB1W35K8500-CRB1W35K8500-DRB1W35K8500-UNV-DM-W

ARON Lighting reserves the right to make any design changes for continuous improvement which will not affect the overall appearance, performance or pricing.

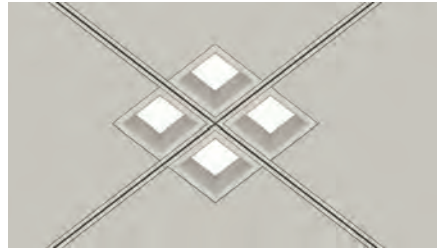
Housing Types

Flat Housing



- Notate "FSQ" in Ordering Guide
- Designed for Flat 9/16" & 15/16" Grids

Screw Slot Housing



- Notate "SSSQ" in Ordering Guide
- Designed for Dimensional 9/16" Grids

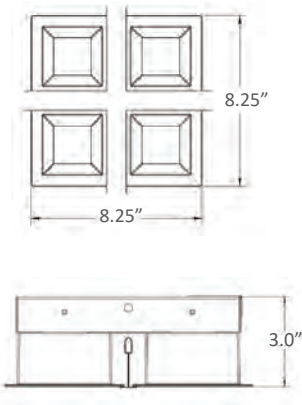
Drywall Housing



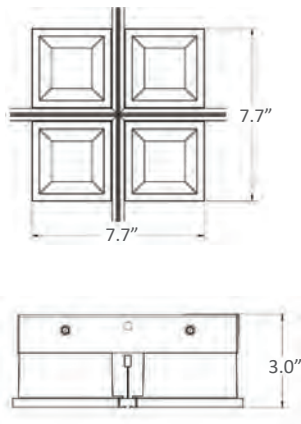
- Notate "DWSQ" in Ordering Guide

Dimensions

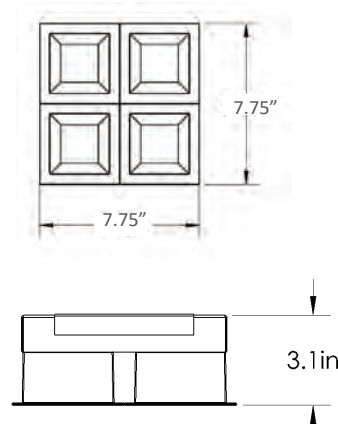
Flat Housing



Screw Slot Housing

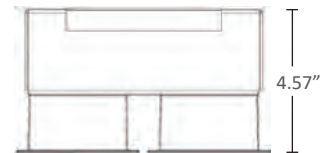


Drywall Housing



EM Housing

**Height Dimension for all housing Types with EM Battery*



**Used for RGBW & EM Options*

Construction

- Cast Aluminum housing
- Powder coated paint
- Galvanized sheet metal components
- Mate with Flat 15/16", 9/16" and Dimensional 9/16" TBars

Optical

- Symmetric and asymmetric distributions
- Coated Acrylic light guide
- Coated Acrylic diffuser
- Minimum 80 or 90 CRI
- 3000K, 3500K, 4000K
- ≤ 3 SDCM

Electrical

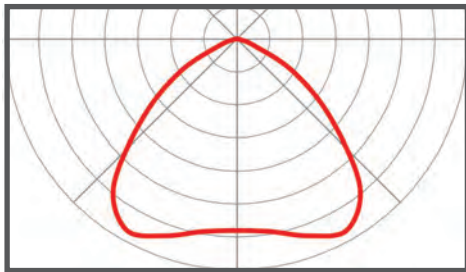
- Integral high efficiency driver
- 0-10V dimming (1%) standard
- Class 2
- Optional remote battery pack

Weight

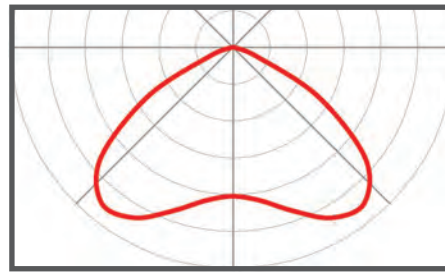
- 4Q = 10 lbs
- 3Q = 8.5 lbs
- 2Q = 7.0 lbs
- 1Q = 5.5 lbs

Beam Options

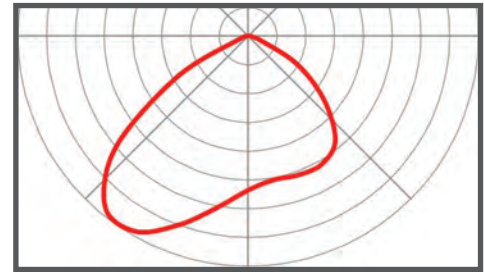
Contact factory for custom configurations



RB1 - Medium



RB2- Wide



WW- Wall Wash Asymmetric

*See Page X

Fixture Wattages

*Fixture Wattage Tested with RB2 Lensing

| Lumens/Quadrant | Watts/Quadrant |
|-----------------|----------------|
| 125 | 1.53 |
| 250 | 3.0 |
| 500 | 6.0 |
| 750 | 9.0 |

| Lumens/Fixture | Watts/Fixture |
|----------------|---------------|
| 750 | 9.0 |
| 1000 | 12.0 |
| 1500 | 18.1 |
| 2000 | 24.1 |
| 2500 | 30.1 |
| 3000 | 35.8 |

Bluetooth Technology



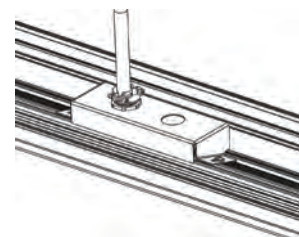
With our BubblyNet OEM partnership, realize the power of bluetooth lighting control! Offering wall controllers, integrated fixture sensors, tunable white/ rgbw control. Contact Factory for More Information



PoE Technology



Our Partnerships with Igor and NuLEDs offer PoE Integration using low voltage cat 5, cat 6 cabling. Contact Factory For more Information.

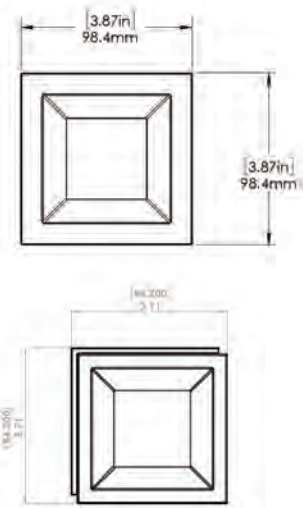
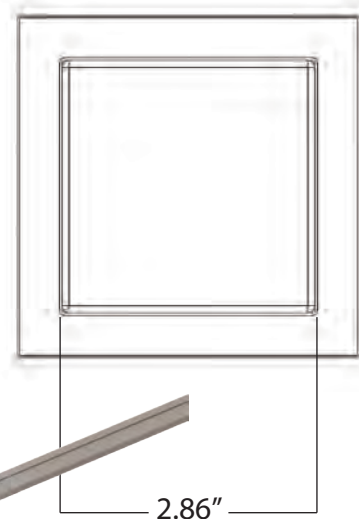
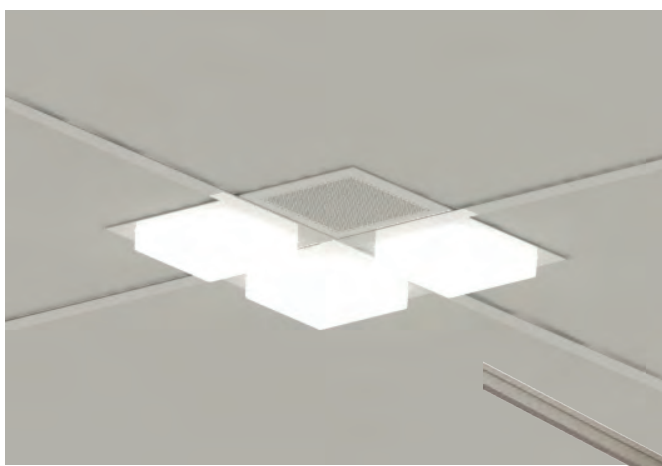


QUAD Family

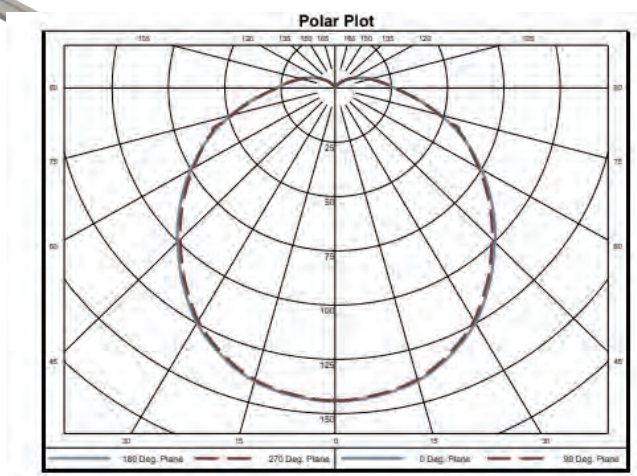
Lens Options

Drop Lens

The QUAD offers a new and unique look with its drop lens option. Made from thermoformed acrylic optimum light diffusion material, the drop lens creates a dimensional look within the ceiling while providing functional lighting. Drop lens lengths available in .5", .75", and 1"



QuadT1-FSQ-ASPK-BDL1"35K8500
-CDL1"35K8500-DDL1"35K8500



Model Tested:

QUADT1-FSQ-DL1-500-B3-35K8-UNV-DM-W
**SEE QUAD SOLO CUT SHEET

| Zone | Lumens | % of Luminaire |
|--------|--------|----------------|
| 0-40 | 187 | 32.7% |
| 0-60 | 341 | 59.8% |
| 0-90 | 504 | 88.3% |
| 90-180 | 67 | 11.7% |

Zonal Lumen Summary

| Zone | Lumens | % of Luminaire | Zone | Lumens | % of Luminaire | Zone | Lumens | % of Luminaire |
|-------|--------|----------------|---------|--------|----------------|---------|--------|----------------|
| 0-5 | 3.44 | 0.6% | 60-65 | 35.34 | 6.2% | 120-125 | 3.64 | 0.6% |
| 5-10 | 10.21 | 1.8% | 65-70 | 32.89 | 5.8% | 125-130 | 2.57 | 0.4% |
| 10-15 | 16.72 | 2.9% | 70-75 | 29.60 | 5.2% | 130-135 | 1.72 | 0.3% |
| 15-20 | 22.73 | 4.0% | 75-80 | 25.49 | 4.5% | 135-140 | 1.04 | 0.2% |
| 20-25 | 28.00 | 4.9% | 80-85 | 21.58 | 3.8% | 140-145 | 0.53 | 0.1% |
| 25-30 | 32.44 | 5.7% | 85-90 | 17.96 | 3.1% | 145-150 | 0.21 | 0.0% |
| 30-35 | 35.72 | 6.3% | 90-95 | 14.96 | 2.6% | 150-155 | 0.07 | 0.0% |
| 35-40 | 37.83 | 6.6% | 95-100 | 12.37 | 2.2% | 155-160 | 0.04 | 0.0% |
| 40-45 | 38.92 | 6.8% | 100-105 | 10.16 | 1.8% | 160-165 | 0.04 | 0.0% |
| 45-50 | 39.28 | 6.9% | 105-110 | 8.22 | 1.4% | 165-170 | 0.03 | 0.0% |
| 50-55 | 38.73 | 6.8% | 110-115 | 6.48 | 1.1% | 170-175 | 0.02 | 0.0% |
| 55-60 | 37.36 | 6.5% | 115-120 | 4.95 | 0.9% | 175-180 | 0.01 | 0.0% |

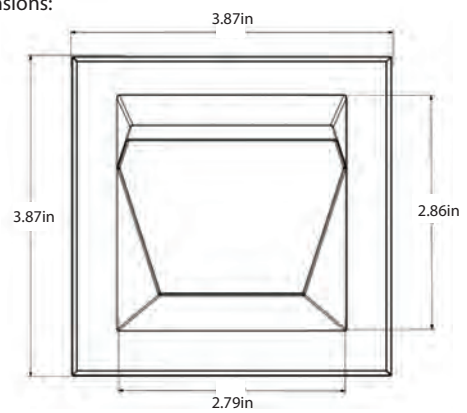
Lens Options

Wall Wash

General / Dimensions:

Material: Die Cast aluminum Casing, Powder Coat Finish
 Applications: Retail, Corridor, Restaurants, Commercial

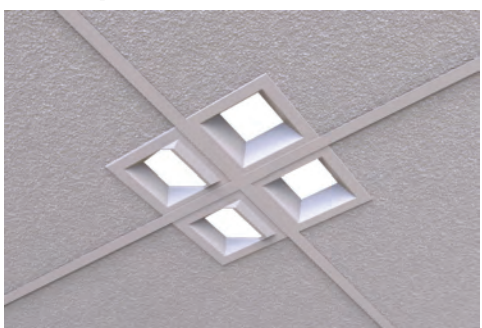
Dimensions:



Description

The QUAD Tbar Wall Wash Quadrant allows for great illumination across the vertical plane. The QUAD Wall Wash can be specified in a multi-directional form factor - see below for proper ordering instructions and examples.

Example Product Codes:



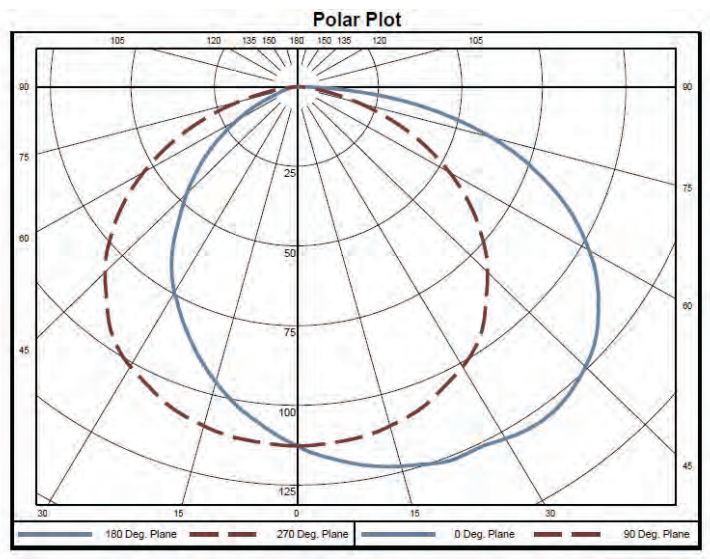
Page 1 QUAD Fixture Product Code:

QUADT1-FSQ-ARB1W35K8500-BRB1W35K8500-CWW1SW35K8500-DWW1SW35K8500-UNV-DM-W

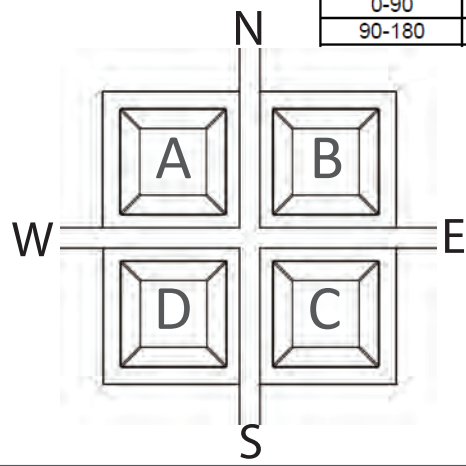


Page 1 QUAD Fixture Product Code:

QUADT1-FSQ-AX-BX-CWW1SW35K8500-DRB1W35K8500-500-B2-35K8-UNV-DM-W



| Zone | Lumens | % of Luminaire |
|--------|--------|----------------|
| 0-40 | 151 | 41.6% |
| 0-60 | 277 | 76.6% |
| 0-90 | 361 | 100.0% |
| 90-180 | 0 | 0.0% |

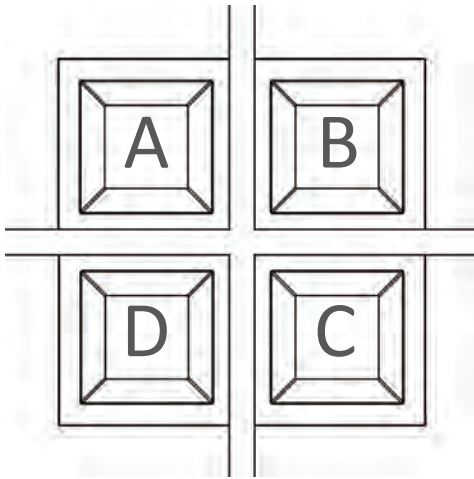


Specify Direction of the Wall Wash Quadrant In relation to the Fixture:
 For Example, if Wall Wash quadrant is specified in Quadrant C, Specify if this will face North, East, South, or West

QUAD Family



Sample Configurations & Ordering Guide



- Match labeled quadrant with corresponding column on ordering guide.

- Notate "RB1, RB2" to use quadrant with regressed lens.

-Notate "SL" to use quadrant with Spotlight

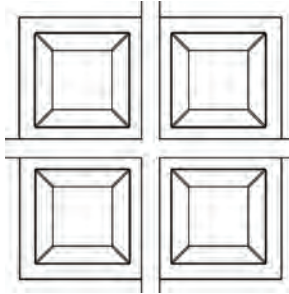
-Notate "DL" And Specify Drop Length to use quadrant with Drop Lens

-Notate "WW1, WW2" to use quadrant with Wall Wash Lensing (Must Specify Direction of light using (N,E,S,W)).

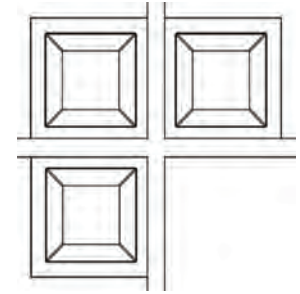
-If choosing a lighting application quadrant, specify CCT & Lumens Per Quadrant

-If choosing an IoT Application notate "SPK, SNR, SEC" And list any additional IoT device specification in quadrant

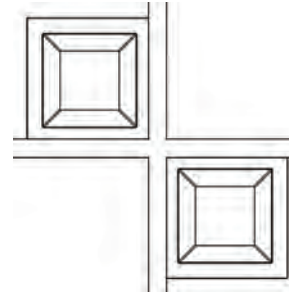
- Notate "X" to omit quadrant from fixture.



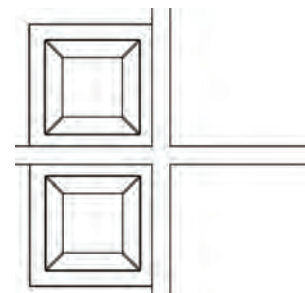
QuadT1-FSQ-ARB1W35K8500-BRB1W35K8500-CRB1W35K8500-DRB1W35K8500.....



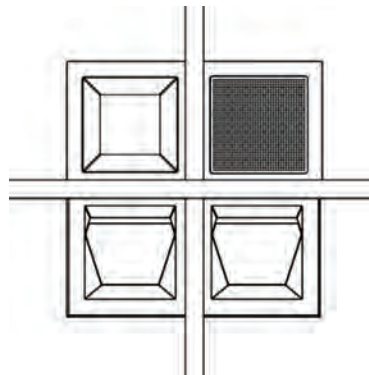
QuadT1-FSQ-ARB1W35K8500-BRB1W35K8500-CX-DRB1W35K8500.....



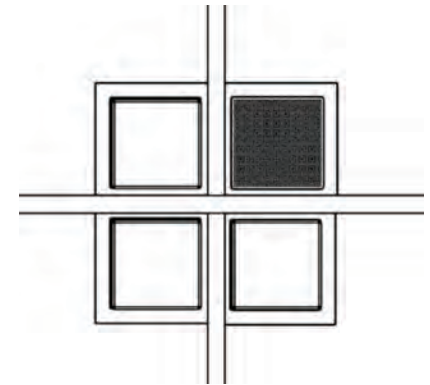
QuadT1-FSQ-ARB1W35K8500-BX-CRB1W35K8500-DX.....



QuadT1-FSQ-ARB1W35K8500-BX-CX-DRB1W35K8500.....



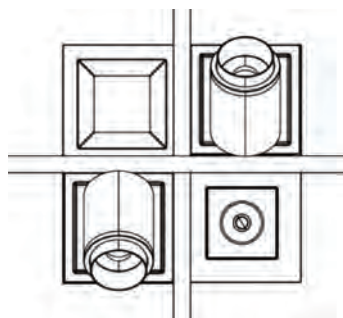
QuadT1-FSQ-ARB1W35K8500-BSPK-CWW1SW35K8750-DWW1SW35K8750.....



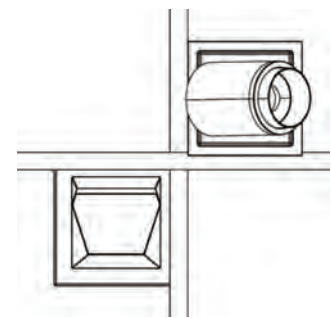
QuadT1-FSQ-ADL1"3W5K81000-BSPK-CDL1"35K81000-DDL1"35K81000.....

Important Ordering Notes:

For Armstrong Custom Tile Program - please see page 7 and coordinate with EC/GC



QuadT1-FSQ-ARB1W35K8500-BSLW35K91000-CXSNR-DSLW35K8500.....



QuadT1-FSQ-AX-BSL35K91000-CX-DWW1SW35K8750.....

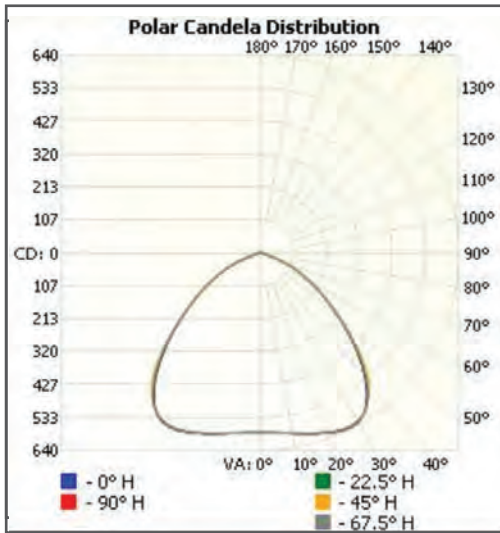
Notes:
- Coordinate lighting fixture install with ceiling contractor
- Contact your local Armstrong representative for Made-To-Order ceiling tiles. (See page 6)



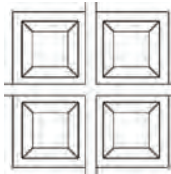
QUAD Family

ARON™

Model Tested: QuadT1-FSQ-ARB1W35K8400-BRB1W35K8400-CRB1W35K8400-DRB1W35K8400-UNV-DM-W



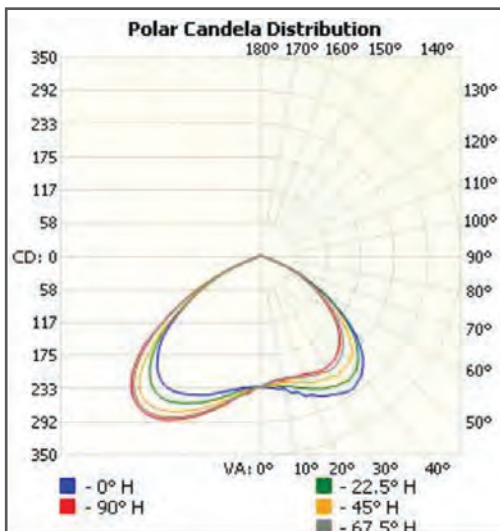
Configuration: 4 Quadrant
Lumens/Quadrant: 403
Total Lumens: 1613
Input Watts: 19.77 W
Efficacy: 81.6 lm/W



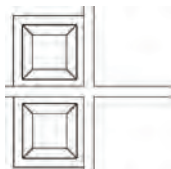
| Vertical Angle | Horizontal Angles | | | | |
|----------------|-------------------|------|-----|------|-----|
| | 0 | 22.5 | 45 | 67.5 | 90 |
| 0 | 582 | 582 | 582 | 582 | 582 |
| 5 | 585 | 585 | 585 | 584 | 585 |
| 10 | 594 | 593 | 593 | 592 | 593 |
| 15 | 606 | 606 | 604 | 604 | 606 |
| 20 | 620 | 620 | 618 | 619 | 621 |
| 25 | 633 | 632 | 629 | 631 | 633 |
| 30 | 631 | 629 | 628 | 629 | 632 |
| 35 | 598 | 598 | 602 | 600 | 599 |
| 40 | 526 | 530 | 543 | 532 | 528 |
| 45 | 433 | 437 | 451 | 441 | 437 |
| 50 | 337 | 340 | 340 | 344 | 340 |
| 55 | 250 | 256 | 249 | 259 | 253 |
| 60 | 180 | 189 | 177 | 187 | 182 |
| 65 | 122 | 124 | 121 | 127 | 122 |
| 70 | 59 | 67 | 70 | 69 | 60 |
| 75 | 21 | 22 | 27 | 22 | 21 |
| 80 | 11 | 11 | 11 | 11 | 11 |
| 85 | 3 | 3 | 3 | 3 | 3 |
| 90 | 0 | 0 | 0 | 0 | 0 |

| Zonal Lumens | | |
|--------------|--------|-------------|
| Zone | Lumens | % Luminaire |
| 0-10 | 56.1 | 3.5 |
| 10-20 | 172.0 | 10.7 |
| 20-30 | 291.1 | 18.0 |
| 30-40 | 370.9 | 23.0 |
| 40-50 | 338.0 | 20.9 |
| 50-60 | 229.2 | 14.2 |
| 60-70 | 122.3 | 7.6 |
| 70-80 | 29.9 | 1.9 |
| 80-90 | 4.4 | 0.3 |

Model Tested: QuadT1-FSQ-ARB1W35K8400-BX-CX-DRB1W35K8400-UNV-DM-W



Configuration: 2 Quadrant Parallel
Lumens/Quadrant: 422
Total Lumens: 845
Input Watts: 9.76 W
Efficacy: 86.6 lm/W



| Vertical Angle | Horizontal Angles | | | | |
|----------------|-------------------|------|-----|------|-----|
| | 0 | 22.5 | 45 | 67.5 | 90 |
| 0 | 229 | 229 | 229 | 229 | 229 |
| 5 | 232 | 225 | 227 | 223 | 221 |
| 10 | 236 | 233 | 226 | 223 | 219 |
| 15 | 247 | 239 | 229 | 221 | 220 |
| 20 | 260 | 248 | 237 | 225 | 221 |
| 25 | 271 | 257 | 241 | 230 | 226 |
| 30 | 279 | 264 | 244 | 234 | 227 |
| 35 | 283 | 267 | 244 | 231 | 223 |
| 40 | 273 | 260 | 241 | 221 | 212 |
| 45 | 253 | 240 | 225 | 202 | 194 |
| 50 | 218 | 210 | 190 | 174 | 168 |
| 55 | 170 | 166 | 146 | 140 | 134 |
| 60 | 122 | 120 | 105 | 104 | 100 |
| 65 | 76 | 76 | 68 | 68 | 67 |
| 70 | 33 | 38 | 38 | 37 | 34 |
| 75 | 13 | 13 | 16 | 14 | 14 |
| 80 | 7 | 7 | 7 | 8 | 8 |
| 85 | 2 | 2 | 2 | 3 | 3 |
| 90 | 0 | 0 | 0 | 0 | 0 |

| Zonal Lumens | | |
|--------------|--------|-------------|
| Zone | Lumens | % Luminaire |
| 0-10 | 22.3 | 2.6 |
| 10-20 | 70.5 | 8.3 |
| 20-30 | 125.3 | 14.8 |
| 30-40 | 177.5 | 21 |
| 40-50 | 197.1 | 23.3 |
| 50-60 | 155.2 | 18.4 |
| 60-70 | 77.3 | 9.1 |
| 70-80 | 17.2 | 2 |
| 80-90 | 2.9 | 0.3 |

Spotlight Ordering Guide

Beam Adjustable Ordering Code

| PRODUCT ID | | CCT | | LUMENS | | FINISH | | DIMMING | |
|--------------------------|------|------|---------------|--------|-------------|--------|--------|---------|--------|
| Spotlight - Field Adj | SP01 | 27K9 | 2700K - 90CRI | 1200 | lumens (BA) | W | White | STD | No Dim |
| | | 30K9 | 3000K - 90CRI | | | BLK | Black | | |
| | | 35K9 | 3500K - 90CRI | | | SLV | Silver | | |
| | | 40K9 | 4000K - 90CRI | | | | | | |



Description

The QUAD Tbar Spotlight offers a unique solution to grid mounted accent lighting. Easily mount the fixture with or without other downlight quadrants at the intersection of any TBar grid system. There are multiple configurations available, with the ability to have 4 spotlights in 1 fixture.

We have Two OEM partners for our spotlight solution. The first, by LPA, offers a field adjustable beam angle, 14-50°, with high CRI. Available in 2700K-4000K. Obtain the perfect aim illumination angle for any solution with full horizontal rotation and up to 90° verticle adjustability.

Our Second, by Bruck Lighting, Offers various static beam angles, with different lumen outputs. The GX series offers variable accent light solutions while achieving an architecturally clean look in the QUAD Tbar Housing.

No more track needed - just drop the fixture on the TBar.

GX Series Ordering Code

| PRODUCT ID | | CCT | | LUMENS | | FINISH | | BEAM ANGLE | | DIMMING | |
|-------------------|------|------|---------------|--------|---------------|--------|--------|------------|------------|---------|--------|
| Spotlight - GX | SP02 | 27K9 | 2700K - 90CRI | 900 | lumens (GX10) | W | White | 20 | 20 Degrees | STD | No Dim |
| | | 30K9 | 3000K - 90CRI | 1150 | lumens (GX15) | BLK | Black | 38 | 38 Degrees | | |
| | | 35K9 | 3500K - 90CRI | 1800 | lumens (GX25) | SLV | Silver | 60 | 60 Degrees | | |
| | | 40K9 | 4000K - 90CRI | | | | | | | | |

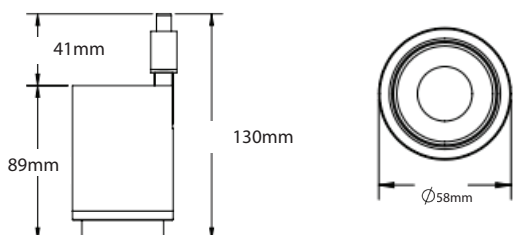
Include the Quantity and Product ID on Purchase Order Beneath
QUAD Product Ordered
**** See Example Product Codes**

For More Information or Further Ordering Questions,
 Please Consult Factory

Beam Adjustable (BA) General / Dimensions:

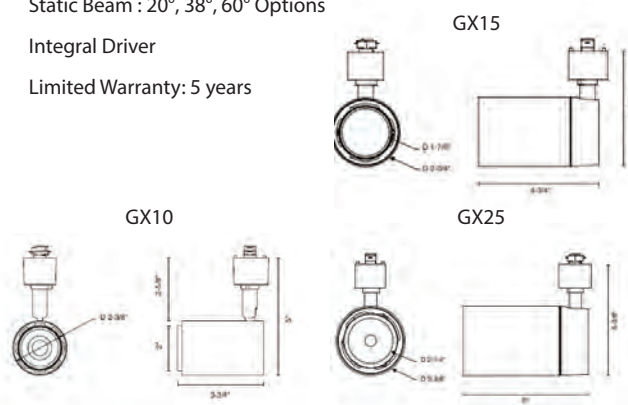
- Light Output: Up to 1200lm
- Material: Die Cast aluminum Casing, Powder Coat Finish
- Aiming: 350° Horizontal Coverage and 90° Vertical Rotation
- Field Adjustable Beam: 14-50°
- Integral Driver
- Limited Warranty: 5 years
- LED Type: CREE CMA 1200 lm Chip

Dimensions:



GX Series General / Dimensions:

- Light Output: 900lm, 1150lm, 1800lm Options
- Material: Die Cast aluminum Casing, Powder Coat Finish
- Aiming: 350° Horizontal Coverage and 90° Vertical Rotation
- Static Beam : 20°, 38°, 60° Options
- Integral Driver
- Limited Warranty: 5 years

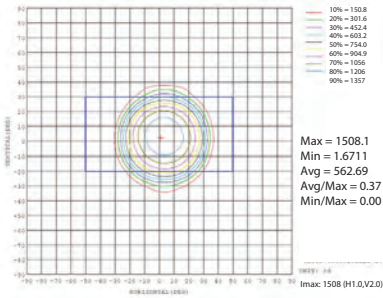


Spotlight Ordering Guide

Beam Adjustable (BA) Photometric and Performance Data

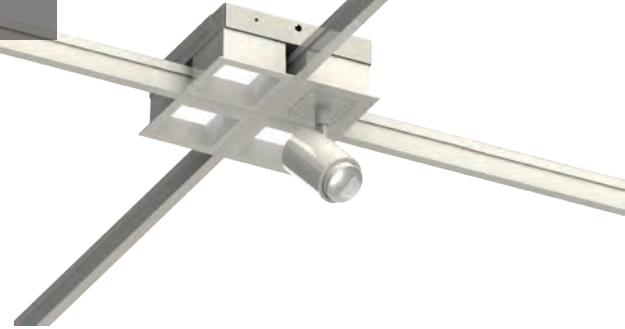
Input Voltage: 220
 Wattage: 15W
 Efficiency: 64.14 lm/W
 Current: 710mA

Polar Candela Distribution



Illuminance Cone Distribution

| Height | Eavg,Emax | Angle: 51.19deg | Diameter |
|--------------------|---------------|-----------------|-----------|
| Flux out: 732.1 lm | | | |
| 1 m | 979.6,15051x | | 95.80 cm |
| 2 m | 244.9,376.31x | | 191.60 cm |
| 3 m | 108.8,167.21x | | 287.40 cm |
| 4 m | 61.22,94.061x | | 383.20 cm |
| 5 m | 39.18,60.201x | | 479.00 cm |
| 6 m | 27.21,41.811x | | 574.80 cm |
| 7 m | 19.99,30.721x | | 670.60 cm |
| 8 m | 15.31,23.521x | | 766.40 cm |
| 9 m | 12.09,18.581x | | 862.20 cm |
| 10 m | 9.796,15.051x | | 958.00 cm |



Example Product Codes:



Page 1 QUAD Fixutre Product Code:

QUADT1-FSQ-ASL-BX-CX-DX-500-B2-35K8-UNV-DM-W

Page 7 Spotlight Product Code:

(qty:1) SP01-40K90-1500-W-ND

GX Series Photometric and Performance Data

GX10



Input Voltage: 120 AC
 Wattage: 10W
 Efficiency: 83 lm/W

GX15



Input Voltage: 120 AC
 Wattage: 15W
 Efficiency: 76 lm/W

GX25



Input Voltage: 120 AC
 Wattage: 22W
 Efficiency: 81 lm/W

See IES Files on www.aronlighting.com for Photometric Data on the GX10, 15, and 25



Page 1 QUAD Fixutre Product Code:

QUADT1-FSQ-AR-BR-CSL-DSL-500-B2-35K8-UNV-DM-W

Page 7 Spotlight Product Code:

(qty:2) SP01-35K9-1500-W-ND

Speaker Ordering Guide

| Speaker Addons | |
|----------------|--------|
| ARON PO ID | |
| Sub: | SB-01 |
| Receiver: | RE-01 |
| Mixer: | MIX-01 |



General / Dimensions:

Broad Coverage Pattern: 160°

Material: Die Cast aluminum Casing, Powder Coat Finish

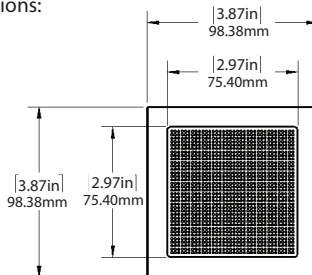
Driver: 60 mm (2.5 in) mid/high driver with butyl rubber surround
16-ohm allows for parallelling of multiple units on a low-Z amplifier

Applications: Retail, Corridor, Restaurants, Commercial

Grill: Many options in color and dimension for a reveal or flush aesthetic

Sub: Designed to be paired with 40CS/T subwoofer-satellite system

Dimensions:



Description

The QUAD Tbar Speaker offers a unique solution to grid mounted sound solutions. Easily mount the speaker with or without other downlight quadrants at the intersection of any TBar grid system. There are multiple configurations available, recommended to have one speaker in one fixture..

No more need for cluttered ceilings at the center of the tile - just drop the fixture and speaker on the TBar. Only a single dropdown required for these various technologies!

Our speaker partner, JBL, is well renowned within the sound industry. This integrated partnership pairs great light quality with equally competitive sound quality in quite a small form factor.



Example Product Codes:



Page 1 QUAD Fixture Product Code:

QUADT1-FSQ-ASPK-BR-CR-DR-500-B2-35K8-UNV-DM-W



Page 1 QUAD Fixture Product Code:

QUADT1-FSQ-ASPK-BX-CX-DX-500-B2-35K8-UNV-DM-W

***Subwoofer, Receiver, and Mixer Available**

Speaker Ordering Guide

Specifications and Performance Data

System:

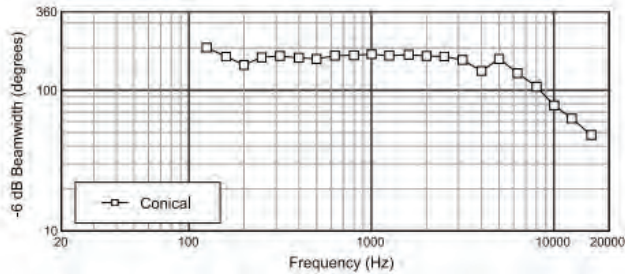
- Frequency Range (-10 dB): 140 Hz - 20 kHz
- Frequency Response (± 3 dB): 180 Hz - 17 kHz 1m/W
- Power Capacity: 30W Continuous Program Power
15W Continuous Pink Noise
- Nominal Sensitivity (2.83V/1m): 82 dB
- Nominal Coverage Angle: 160° conical coverage
- Directivity Factor (Q): 6.6
- Directivity Index (DI): 6.8 dB
- Rated Maximum SPL: 94 dB @ 1m (3.3 ft) average, 114 dB peak
- Rated Impedance: 16 ohms

Transducer

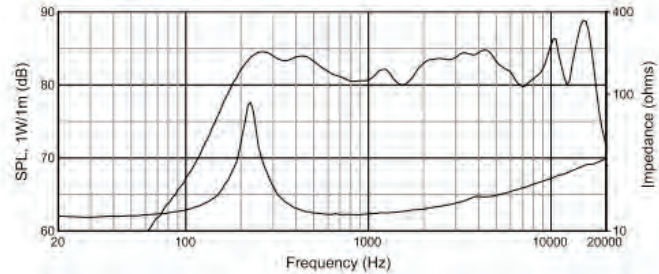
Driver: 60 mm (2.5 in) with polypropylene cone, butyl rubber surround, copper-clad coil, vented aluminum former



Beamwidth:

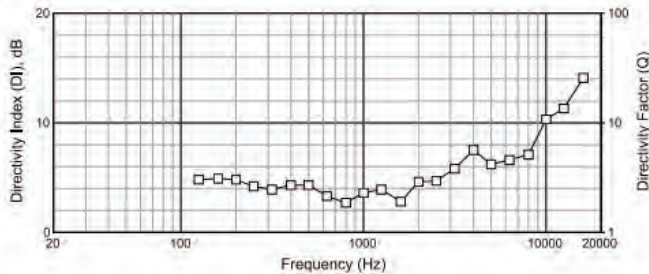


Frequency Response:



Half-space (2pi, mounted in ceiling)

Directivity Index:



Off-Axis Frequency Response:

