

LOFT



Project: _____

 Type: _____

 Notes: _____

LOFT | LOFT is an innovative edge lit architectural luminaire that drops directly into a 9/16 or 15/16 T Grid ceiling. The appearance of the fixture's angles create a dynamic ceiling environment which enhances the aesthetic appearance of the space. LOFT comes in a 2x2, 2x4 and 1x4 configuration.



Ordering Guide

LFT		CEILING TYPE		CEILING PANEL TYPE		CUSTOM ACOUSTIC TILE TYPE		FIXTURE SIZE		LUMENS/FT/SIDE	
LFT	Loft Fixture	TG	T-Grid Ceiling with Panels	ST	Standard Tile (not included)	NA	If no tile is being provided	22FA	2' x 2'	250	250 lm/ft
		DW	Drywall Ceiling	CAT	Custom Acoustical Tile (by FACT Design)	###	See page 3 to specify tile code	24FA	2' x 4'	500	500 lm/ft
								42FA	4' x 2'	750	750 lm/ft
								14FA	1' x 4'	1000	1000 lm/ft
								44FA	4' x 4'	1250	1250 lm/ft
										1500	1500 lm/ft

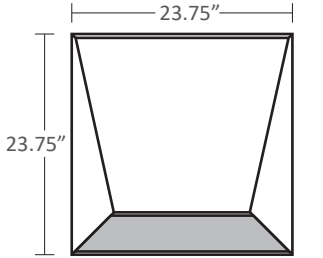
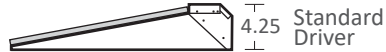
*Consult Factory for Other Lumen Packages
 **Wattage Calculated w/ CCT of 35K8

LIGHT ENGINE LAYOUT		COLOR/CRI		VOLTAGE		DRIVER		ACCESSORIES		FINISH/COLOR	
B1	1 Light Engine	27K8	2700K - 80CRI	UNV	120-277V	DM	0-10V (1% Dimming)	E10W	10W EM	W	White
B2	2 Light Engine	27K9	2700K - 90CRI	347	347V	BT	Bluetooth	CCEA	Chicago Plenum	BLK	Black
		30K8	3000K - 80CRI	POE	Low Voltage POE	EDL	0.1% Dimming			C	Custom
		30K9	3000K - 90CRI								
		35K8	3500K - 80CRI								
		35K9	3500K - 90CRI								
		40K8	4000K - 80CRI								
		40K9	4000K - 90CRI								
		50K8	5000K - 80CRI								
		50K9	5000K - 90CRI								
		TW	Tunable White (2700K-5000K)								

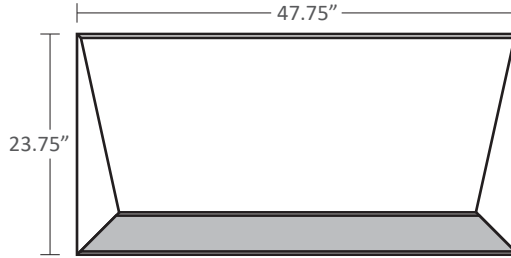
**See Page 5 for Bluetooth Information. Consult Factory
 **Contact factory for custom colors

ARON Lighting reserves the right to make any design changes for continuous improvement which will not affect the overall appearance, performance or pricing.

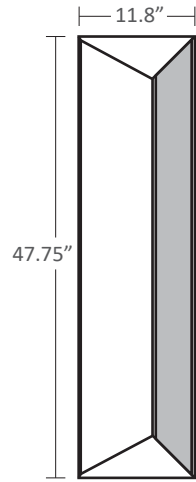
Application Sizes and Dimensions



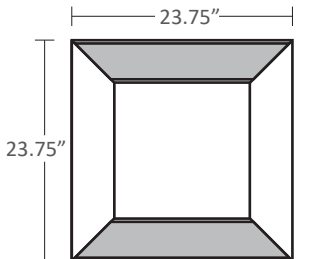
2'x2' B1-Single Light Engine



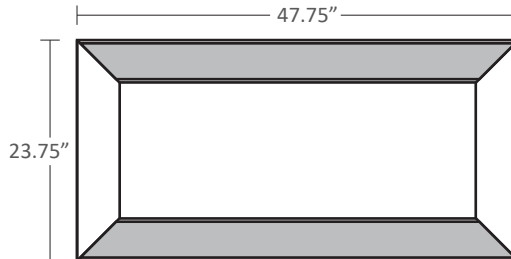
2'x4' B1-Single Light Engine



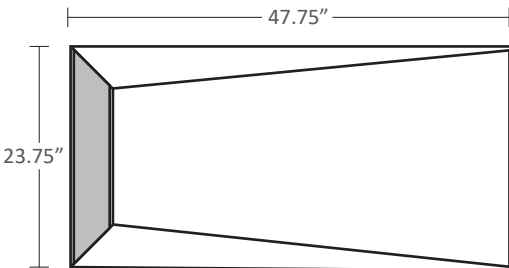
1'x4' B1-Single Light Engine



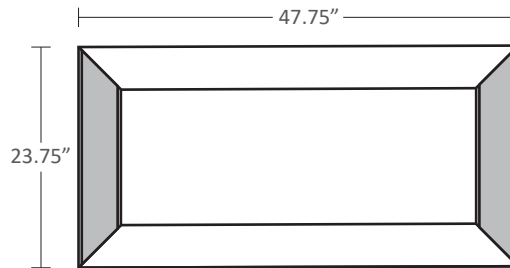
2'x2' B2-Double Light Engine



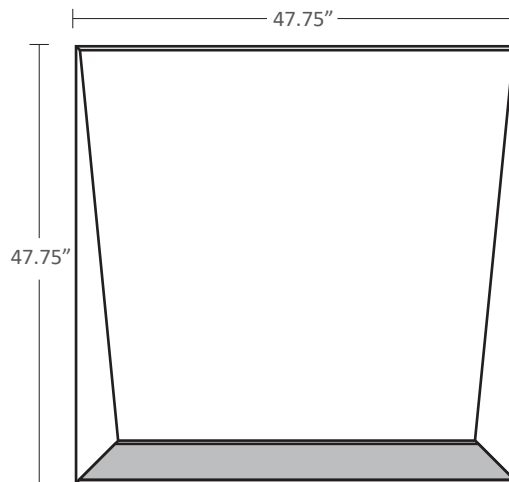
2'x4' B2-Double Light Engine



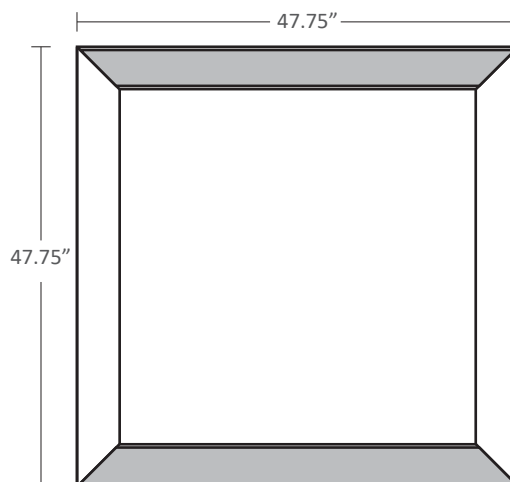
4'x2' B1-Single Light Engine



4'x2' B2-Double Light Engine



4'x4' B1-Single Light Engine



4'x4' B2-Double Light Engine

Specifications

Electrical

- Integral class 2 driver with universal 120-277 input.
- 0-10V dimming (1%) standard
- Optional Integral battery pack
- Optional remote EM battery pack

- L90: 90,000 Hours
- L70: 185,000 Hours
- Various Control and Driver Options
- *Contact factory

Construction

- Main Light Engine Housing: Extruded Aluminum, Powder Coated
- Fixture Housing: 18 Gauge Sheet Metal, Powder Coated
- Light Guide: 4mm Custom Acrylic Light Guide
- Lenses: 1) Extruded Volumetric Diffusion Optic
2) Extruded 20 Degree Angled Optic
- Driver Housing: 18 Gauge Sheet Metal

Optical

- Symmetric Lambertian Distribution (B2)
- Asymmetric 20 Degree Distribution (B1)
- Minimum 80 or 90 CRI
- 2700K, 3000K, 3500K, 4000K, 5000K
- ≤ 3 SDCM

Mounting

- Fixture arrives fully assembled
- Lays into a 2x2 and 2x4 T-Grid suspended ceiling system.
- Compatible with either 9/16 or 15/16 T Grid.
- Flange kit provided for drywall ceilings.



Acoustic Tile Colors

camira

Blazer, Blazer Lite

www.camirafabrics.com

Popular Colors



CUZ4Q



CUZ4U



CUZ4N



CUZ39



CUZ4R



FACT

Additional Accent Color Options

The following collections from Kvadrat can be used in addition to our standard colors to add accents to your design. Contact us at samples@fact.design and we will have the samples sent to you. There is a 20 tile min. per color for this option

For other tile and pattern options, visit www.fact.design

Commonly Paired FACT Tile Designs



FACT Calm Collection - Branches



FACT Wink 3-Dimensional Tile

Standard colors shown below



F:02



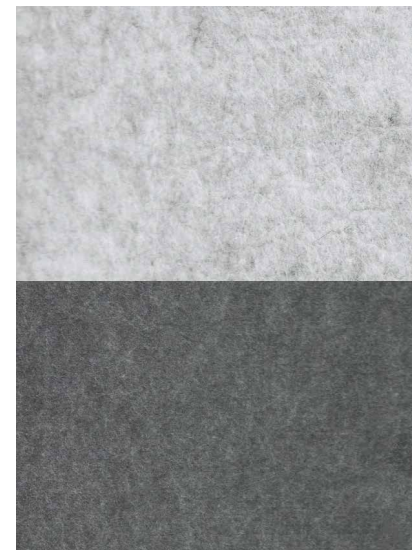
F:03



F:04



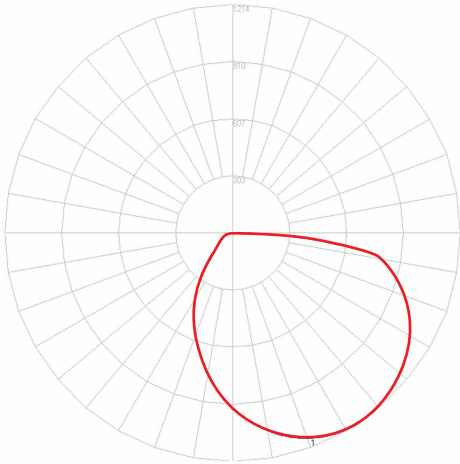
F:05



Closeup to show texture

Model Tested: LFT-TG-ST-NA-22FA-1500-B1-35K8-UNV-DM-W

Photometric Curve



Size: 2x2
 Lumens/ft: 1530
 Total Lumens: 3060
 Input Watts: 27 W
 Efficacy: 113 lm/W

Zonal Lumen Summary

Zone	Lumens	% of Total	Zone	Lumens
0-20	342.9	11.2	0-10	88.8
0-30	728.6	23.8	10-20	254.2
0-40	1196.5	39.1	20-30	385.7
0-60	2168.3	70.9	30-40	467.9
0-80	2921.1	95.5	40-50	494.7
0-90	3059.9	100.0	50-60	477.1
10-90	2971.1	97.1	60-70	423.4
20-40	853.6	27.9	70-80	329.3
20-50	1348.3	44.1	80-90	138.8
40-70	1395.2	45.6	90-100	0.0
60-80	752.8	24.6	100-110	0.0
70-80	329.3	10.8	110-120	0.0
80-90	138.8	4.5	120-130	0.0
90-110	0.0	0.0	130-140	0.0
90-120	0.0	0.0	140-150	0.0
90-130	0.0	0.0	150-160	0.0
90-150	0.0	0.0	160-170	0.0
90-180	0.0	0.0	170-180	0.0
110-180	0.0	0.0		
Total	3059.88 lm	100%		

Wattage/ft

Lumens/ft	Watts/ft
250	2.21W
500	4.42W
750	6.63W
1000	8.84W
1250	11.06W
1500	13.27W

Luminance Data (Cd./Sq.M)

Average in Degrees	Average 0-Deg	Average 45-Deg	Average 90-Deg
45	4624	3941	2384
55	5418	4403	2256
65	6738	5015	2121
75	9484	6175	1945
85	14677	7425	1359