

LOFT

Installation Instructions for LOFT in Drywall

ARON™
Light Delivered™

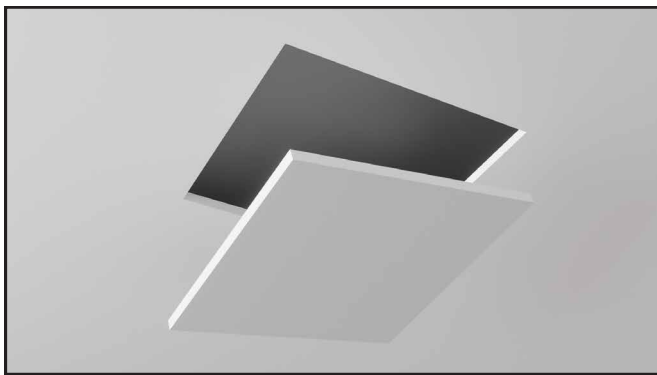
PLEASE READ ALL INSTRUCTIONS CAREFULLY BEFORE INSTALLING. RISK OF FIRE AND ELECTRICAL SHOCK. FIXTURE MUST BE INSTALLED BY A QUALIFIED ELECTRICIAN. ALL INSTALLS SHOULD BE IN ACCORDANCE WITH NATIONAL, LOCAL BUILDING AND ELECTRICAL CODES. ALL WIRES AND MATERIALS USED FOR INPUT/OUTPUT MUST BE UL APPROVED.

Fixture Dimensions

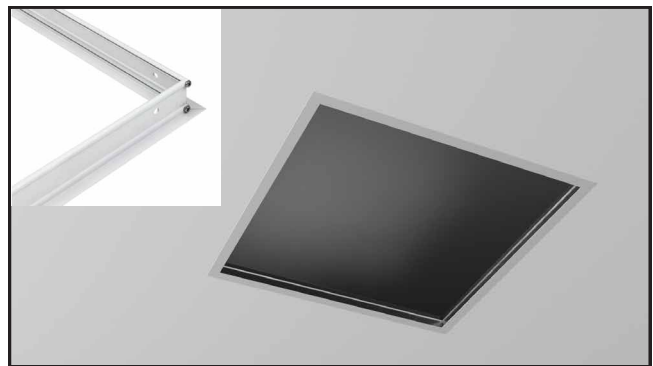
Product	Dimensions
LOFT	2x2, 2x4, 1x4

Provided Hardware:
Fixture
Drywall Flange Kit

Fixture Installation Steps for Drywall:



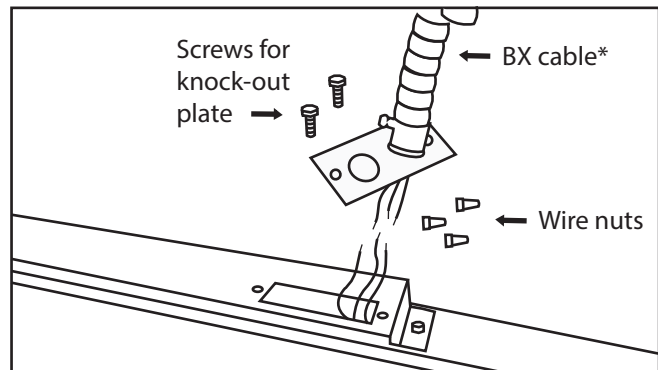
- 1 Cut hole in drywall ceiling for fixture and flange kit. hole size: 24.6in x 24.6in
Save cutout drywall to fill in top of fixture if desired.



- 2 Assemble flange kit using two screws per corner and install into ceiling.



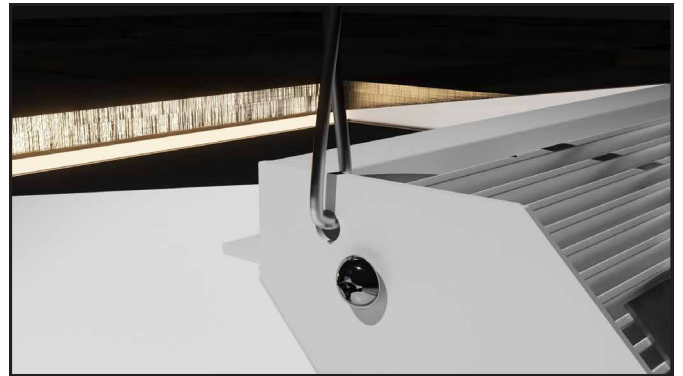
- 3 Install fixture into ceiling by resting on top of the previously installed flange kit.



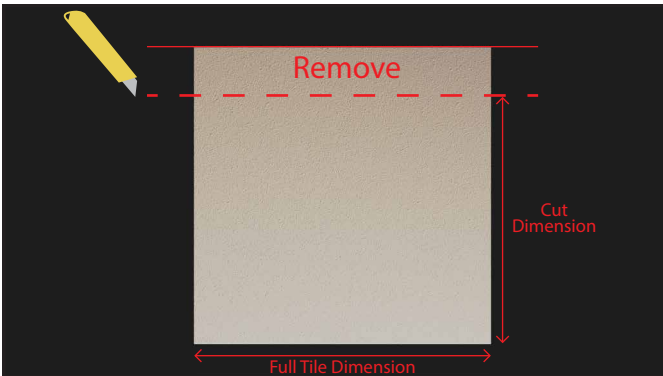
- 4 Remove access plate and install BX connector through the knock-out. Connect wires from the BX cable to wires on driver using wire nuts. If dimmer is required, connect appropriate wires to grey/purple wires on the driver. Ensure power supply is properly grounded and connections comply with local and national codes.



5 Attach Driver housing cover plate to driver housing.



6 Attach safety wire to Loft fixture and structure if needed.



7 Cut excess drywall or ceiling tile to (Tegular/Flat):
 a. 2x2 Single Light Engine Fixture: 20.00" x 23 3/4"
 b. 2x4 fixture: 20.00" x 47 3/4"
 c. 1x4 fixture: 8 1/4" x 47 3/4"
 d. 2x2 Dual Light Engine Fixture: 15 1/2" x 23 3/4"
 e. 2x4 Dual Light Engine Fixture: 15 1/2" x 47 3/4"



8 Place the cut drywall/ceiling tile on the top of the fixture to complete installation.