

FLOW



Project: _____

Type: _____

Notes: _____

FLOW | Flow was designed to create an interaction between the person and their environment. Simply by changing their orientation in the grid, you can create an unlimited variety of patterns.

Now seamlessly integrate beautiful coordinated lighting into FLOW.



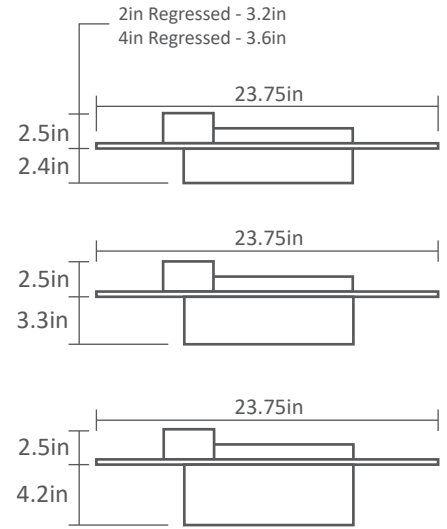
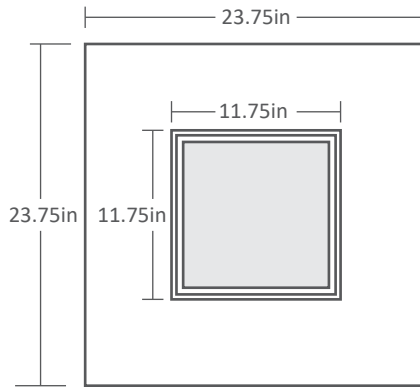
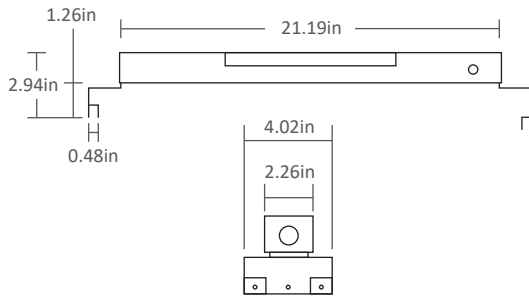
Ordering Guide

FLDFLW		CEILING TYPE		BLADE DEPTH		LUMENS		BEAM		
ARON ID		CEILING TYPE		BLADE DEPTH		LUMENS		BEAM		
FLDFLW	FLD FLOW	G	Grid - 15/16", 9/16", SS	2	2.4in tall	300	300 lm	B1	Standard	
		CG15	Concealed - 15/16"	3	3.3in tall	400	400 lm	B2	Regressed <small>*Only available in square lens shape</small>	
		CG9	Concealed - 9/16"	4	4.2in tall	500	500 lm			
				CUS	Custom	750	750 lm			
						850	850 lm			
						1000	1000 lm			
						1500	1500 lm			
							<small>*1000lm and 1500lm are only available in 8in lens size</small>			
							<small>*Consult Factory for Other Lumen Packages</small>			
							<small>*Wattage Calculated w/ CCT of 35K8</small>			

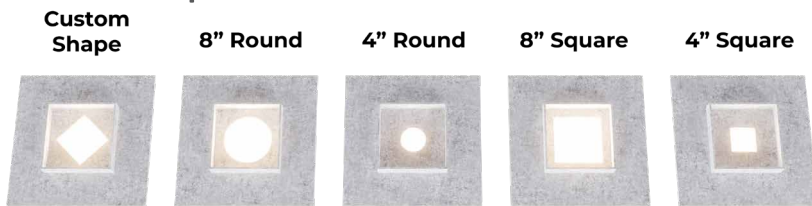
COLOR / CRI		VOLTAGE		DRIVER		ACCESSORIES/RATINGS		TILE CAP COLOR		TILE BLADE COLOR	
30K8	3000K - 80CRI	UNV	120-277V	DM	Factory 0-10V, Dim 1%	E5W	5W EM Battery	###	Specify Acoustic Tile Color Code (FACT Design)	###	Specify Acoustic Tile Color Code (FACT Design)
30K9	3000K - 90CRI	347	347 V	BT	Bluetooth	E10W	10W EM Battery				
35K8	3500K - 80CRI			ELD	EldoLED .1% Dimming						
35K9	3500K - 90CRI				<small>*contact factory for other driver, dimming and control options</small>						
40K8	4000K - 80CRI										
40K9	4000K - 90CRI										
TW	Tunable White										
RGBW	RGB White										
<small>**TW range 2700K-6500K</small>				<small>**See Page 5 for Bluetooth Information. Consult Factory</small>				<small>**See Page 3</small>		<small>**See Page 3</small>	



Application Sizes



Lens Shapes



Construction

- Optic: Edge lit light guide
- Lens: Volumetric Diffusion lens
- Fixture Housing: Galvanized 18 gauge sheet metal
- Acoustical felt tile housing
- Remote Driver Box: Galvanized 18 gauge sheet metal

Optical

- Lens Aperture Sizes: 2", 4", 8"
- Symmetric Lambertian Distribution
- Extruded Volumetric Diffusion
- Minimum 80 or 90 CRI
- 3000K, 3500K, 4000K
- ≤ 3 SDCM

Electrical

- Remote high efficiency driver w/ universal 120-277 input
- 0-10V dimming (1%) standard
- Class 2
- Optional Remote battery pack
- L90: 90,000 Hours
- L70: 185,000 Hours
- Various Control and Driver Options
- *Contact factory

Acoustic Tile Properties

Material

9mm Polyester (PET) Felt +/- .35"

Size

2x2: 23.75" x 23.75"

Note: 6" clearance required above grid

Environmental

60% pre-consumer recycled content

Flammability

ASTM E84 Class A Certified /
CAN/ULC-S102.2

Acoustics

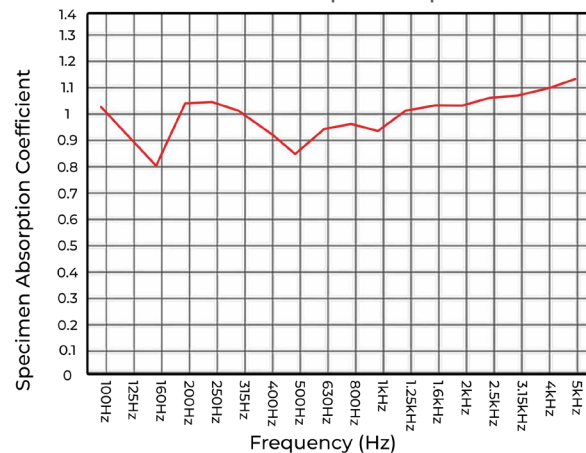
Closed plenum installation

Test method – ASTM E795-16 Type

E-400 Mounting closed tile – NRC 1.0



Sound Absorption Report



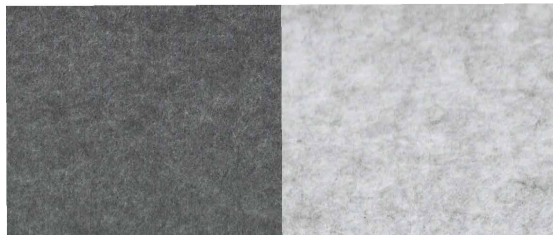
Acoustic Tile Colors



Additional Accent Color Options

The following collections from Camira can be used in addition to our standard colors to add accents to your design. Contact us at samples@fact.design and we will have the samples sent to you. There is a 20 tile min. per color for this option

For other tile and pattern options, visit www.fact.design



Closeup to show texture

Standard colors shown below

