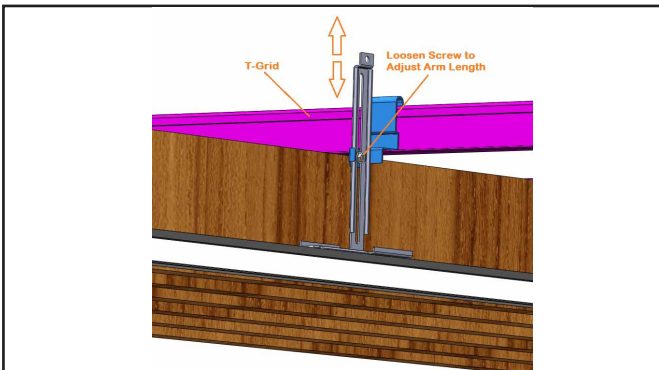
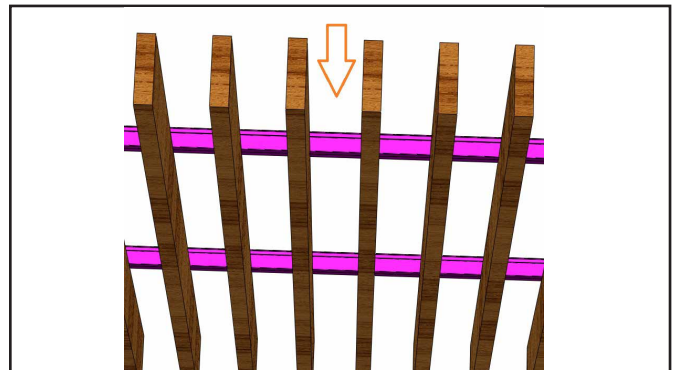


PLEASE READ ALL INSTRUCTIONS CAREFULLY BEFORE INSTALLING. RISK OF FIRE AND ELECTRICAL SHOCK. FIXTURE MUST BE INSTALLED BY A QUALIFIED ELECTRICIAN. ALL INSTALLS SHOULD BE IN ACCORDANCE WITH NATIONAL, LOCAL BUILDING AND ELECTRICAL CODES. ALL WIRES AND MATERIALS USED FOR INPUT/OUTPUT MUST BE UL APPROVED.

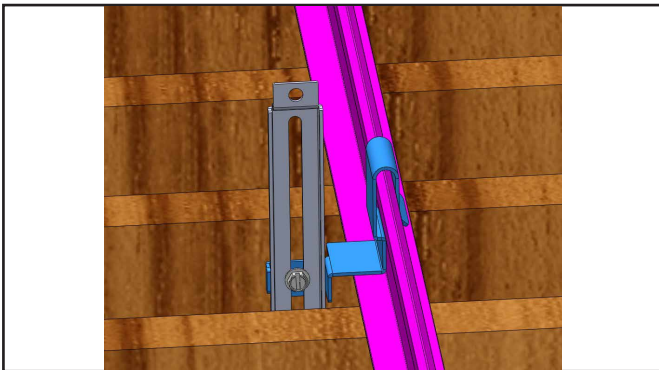
Fixture Installation Steps for Wood Slat:



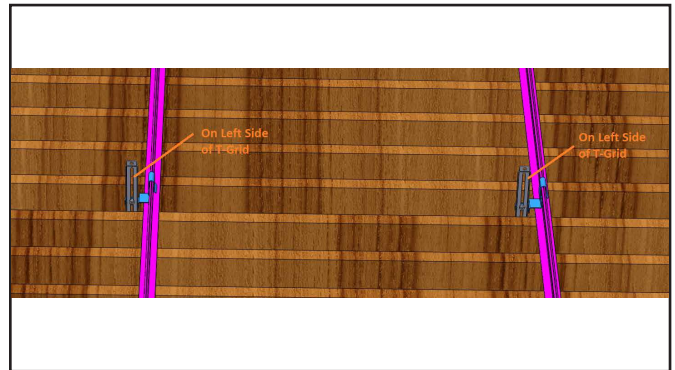
- 1 Adjust the length of the EZT Bracket Arm prior to installation to ensure the location of the light fixture will be flush with the bottom of the wood slats. Loosen the screw and adjust the arm length. Once you have identified the correct arm length, measure the length and adjust the rest of the arms for installation.



- 2 Identify the location/T-Grids where the light fixture will be installed.

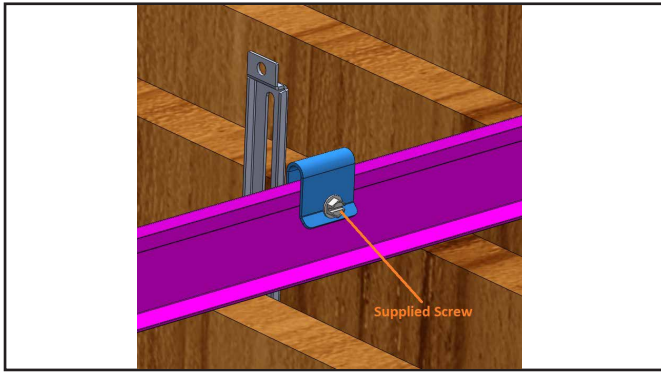


- 3 Install the EZT T-Grid bracket hanger onto the T-Grid.

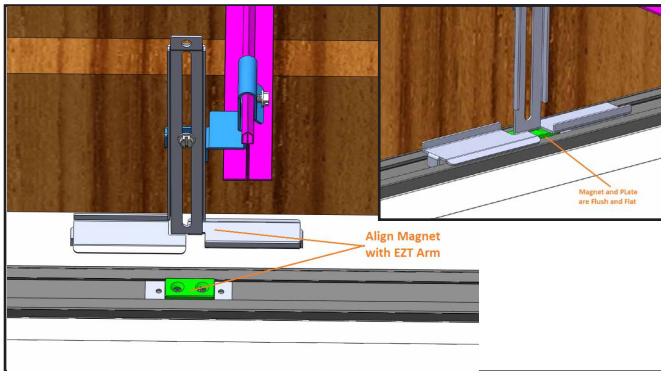


- 4 Install the additional Brackets along the same slot between the Wood Slats.

****** Please make sure to apply the hanger on the side as the previous hangers******

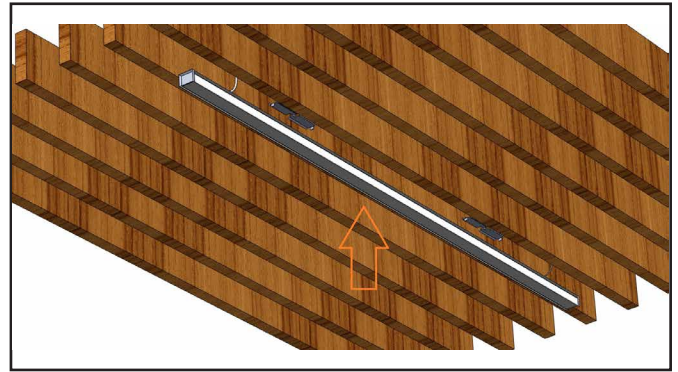


5 To keep the brackets from being removed from the T-Grid you can install the supplied screws into the top of the T-Grid Bracket to secure the brackets to the T-Grid.

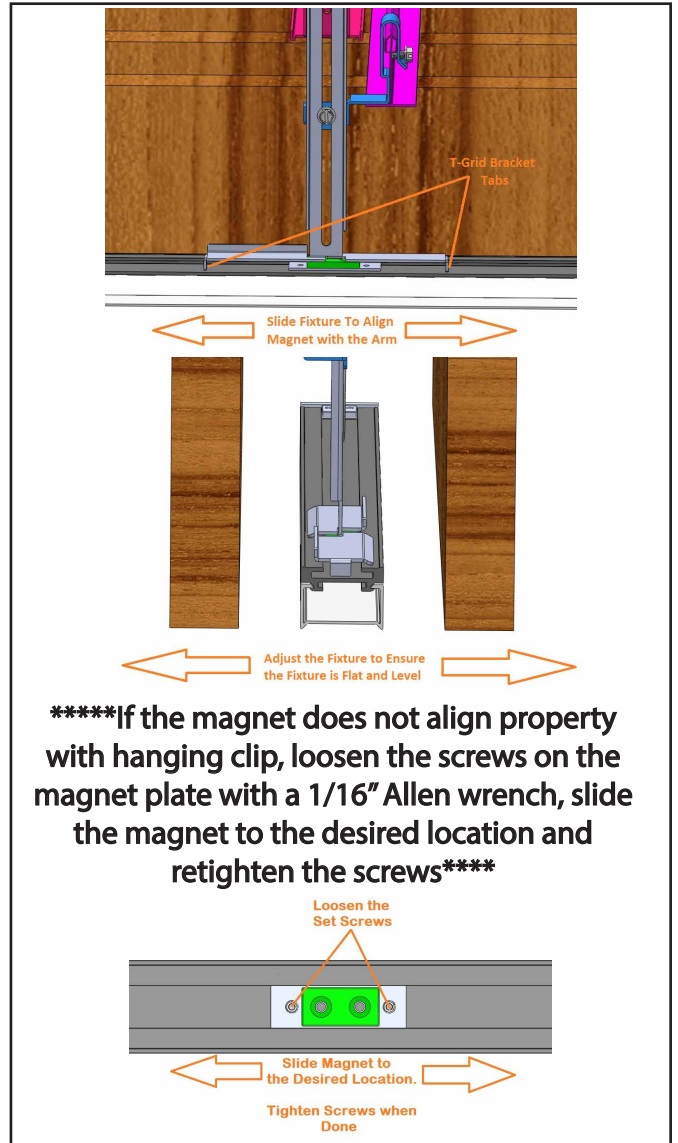


7 The magnets on the fixture should line up with the EZT T-Grid Brackets (a). Once the fixture is attached to the T-Grid Brackets ensure the magnets and Brackets are flush (b).

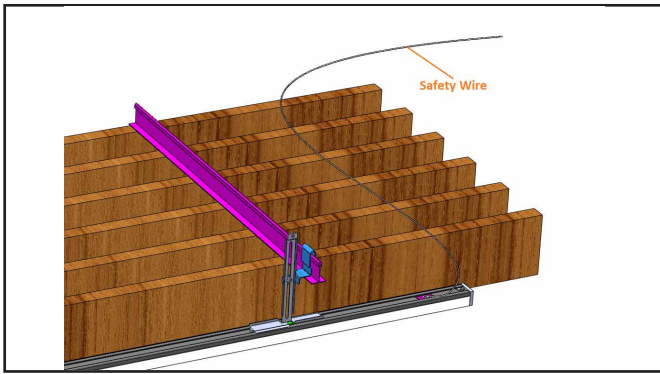
****** The Magnets should be flat against the Mounting Arm Plate ******



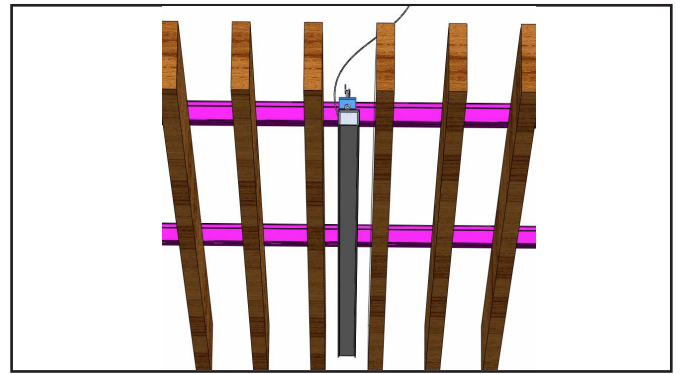
6 Once all the EZT T-Grid Brackets are in place prepare to install the fixtures to the magnets.



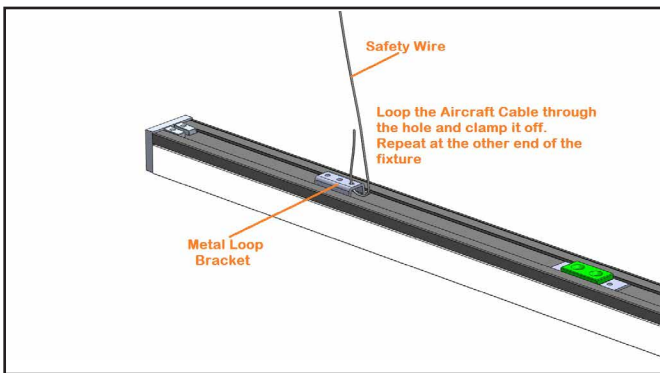
8 To adjust the alignment between the magnets and T-Grid Brackets move the fixture so the tabs on the T-Grid Bracket encompass the magnet and that the magnet and Bracket are flat and flush to one another.



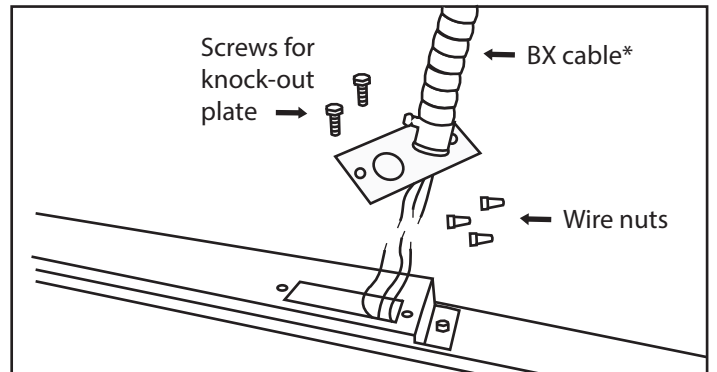
9 Attach the safety wire to the structure above.



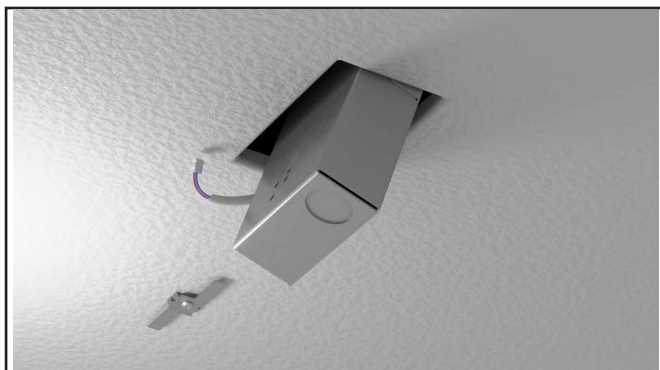
10 Make sure the fixture is centered between the wood slats.



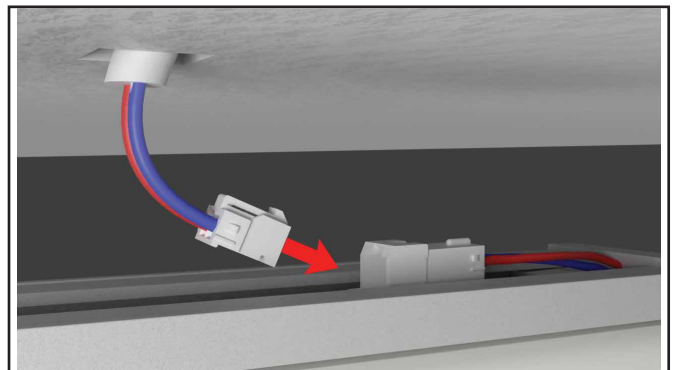
11 If the T-Bar hooks and magnet installation does not meet ceiling conditions fixture can be hung by threaded aircraft cable through the metal loop brackets located 5" from each end of the fixture.



12 Remove access plate and install BX connector through the knock-out. Connect wires from the BX cable to wires on driver using wire nuts. If dimmer is required, connect appropriate wires to grey/purple wires on the driver. Ensure power supply is properly grounded and connections comply with local and national codes.



13 Install the driver housing to the selected surface.



14 Attach the power cable from the fixture to the supplied driver housing.



15 Test the fixture to ensure proper performance.