

PLEASE READ ALL INSTRUCTIONS CAREFULLY BEFORE INSTALLING. RISK OF FIRE AND ELECTRICAL SHOCK. FIXTURE MUST BE INSTALLED BY A QUALIFIED ELECTRICIAN. ALL INSTALLS SHOULD BE IN ACCORDANCE WITH NATIONAL, LOCAL BUILDING AND ELECTRICAL CODES. ALL WIRES AND MATERIALS USED FOR INPUT/OUTPUT MUST BE UL APPROVED.

Fixture Dimensions

Product	Length	Width
EZT	2FT, 4FT, 6FT, 8FT	1.2"

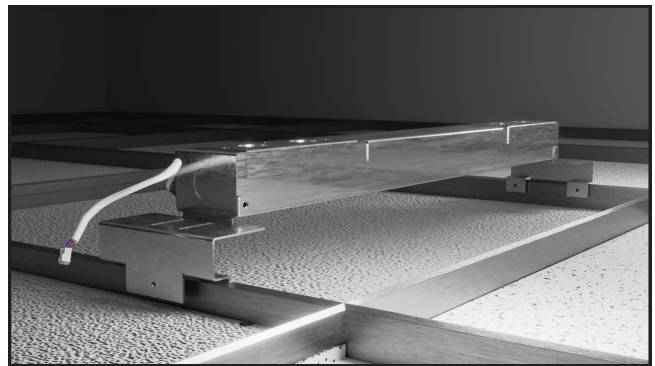
*For Continuous Run Fixtures and Shapes, Contact Factory Shop Drawings Will Be Provided

Provided Hardware:
Fixture
Driver Housing
4-40 Allen Wrench

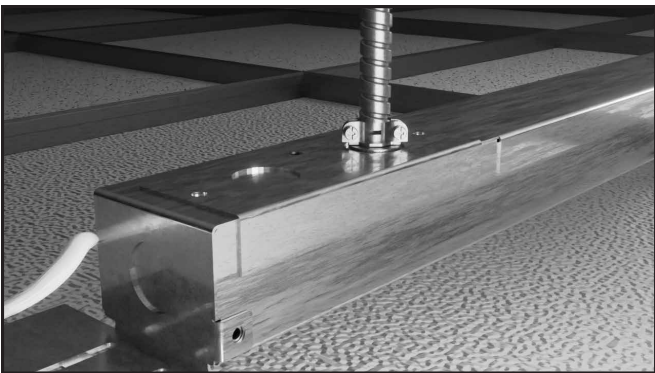
Fixture Installation Steps for T-Grid:



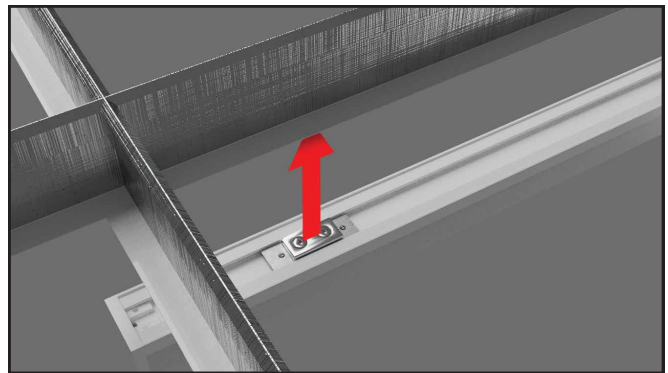
- 1 Remove fixture from packaging. Locate the end that has the wires and connectors and where it will be attached to the ceiling. Also locate safety wire.



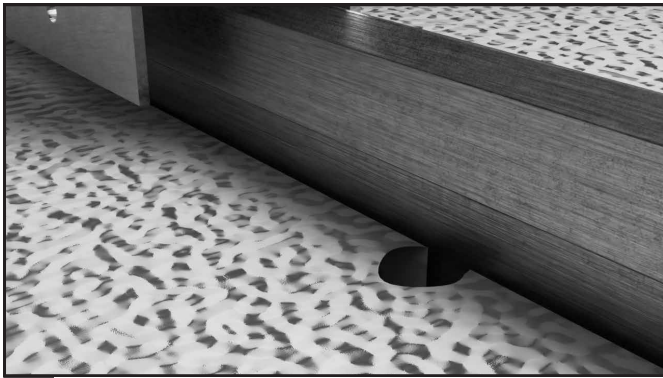
- 2 Install remote driver box within 5 feet of the wire passthrough hole by clipping it to the top of the T-grid. If surface mounting remote driver kit, remove T-Bar clips and mount to structure. Contact factory for longer power lead.



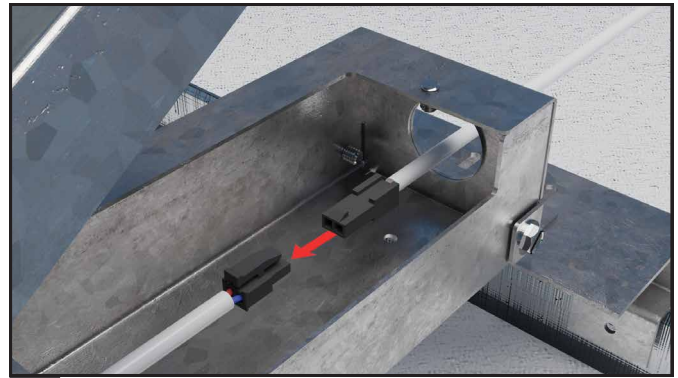
- 3 Attach BX power supply to driver using necessary connections. Run low voltage wire provided towards fixture. Low voltage wire from driver remains in ceiling.



- 4 Raise fixture up to desired location on T-Grid and allow magnets to attach.



5 Create a small notch in the ceiling tile for wiring to pass through.



6 Connect low voltage power from fixture to driver wires using provided connectors. Attach safety wire to structure.

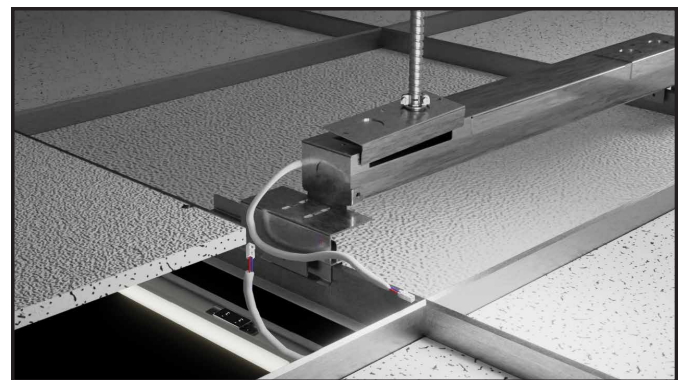


7 Ensure wiring is tucked into the slot on top of fixture and power on.

T-Grid 25W Driver Installation



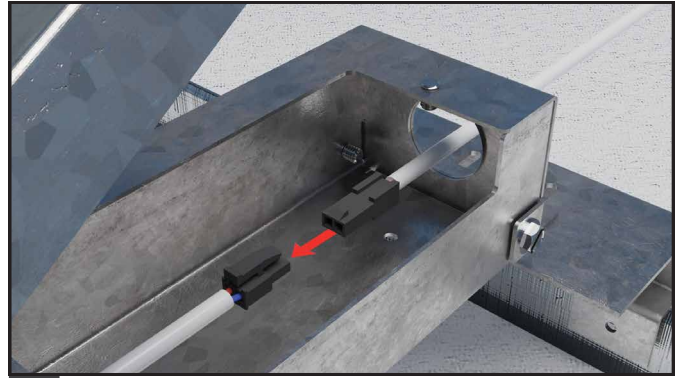
1 Install remote driver box within 5 feet of the wire passthrough hole by clipping it to the top of the T-grid.



2 Attach BX power supply to driver using necessary connections. Run low voltage wire provided towards fixture. Low voltage wire from driver remains in ceiling.

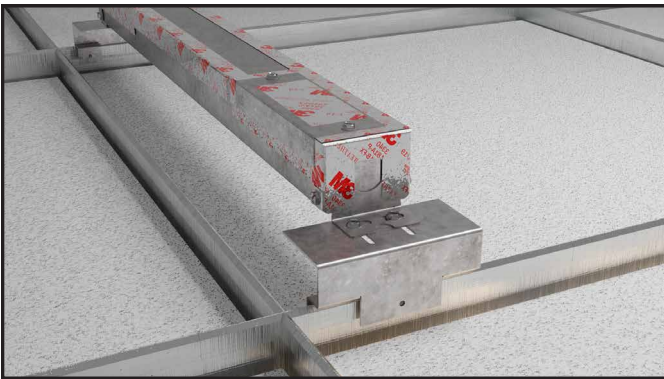


3 Create a small notch in the ceiling tile for wiring to pass through.



4 Connect low voltage power from fixture to driver wires using provided connectors.

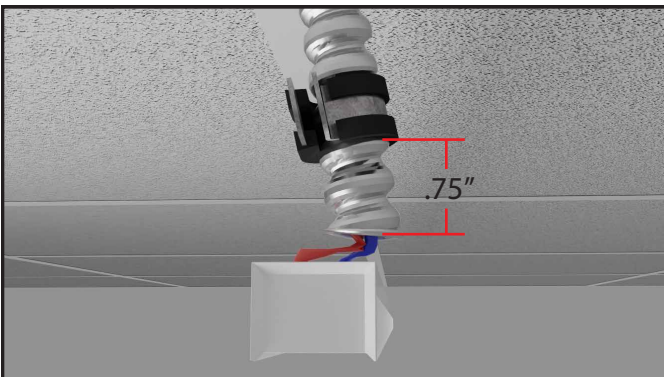
Chicago Plenum Driver Installation



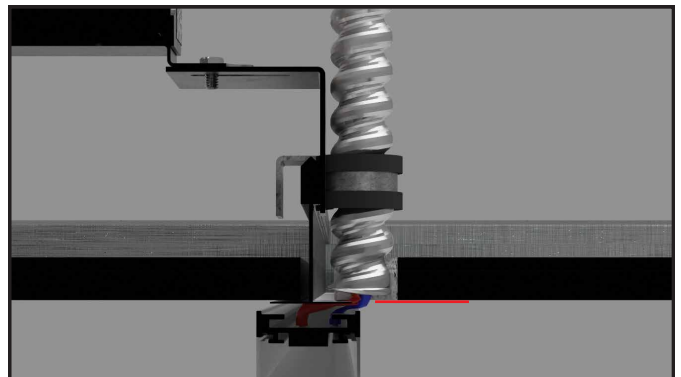
1 Install remote driver box as close as possible to the wire passthrough hole by clipping it to the top of the T-grid.



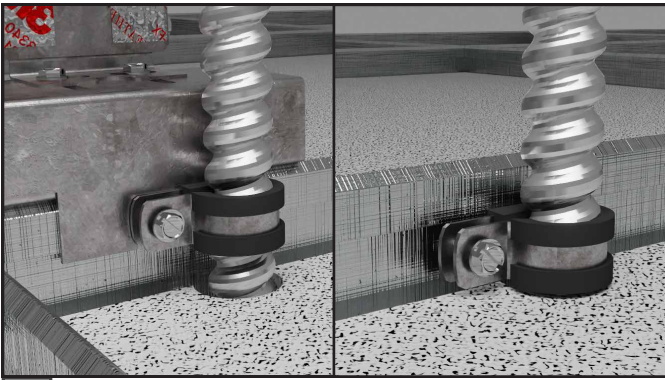
2 Create a notch in the ceiling tile for 1/2" conduit to pass through.



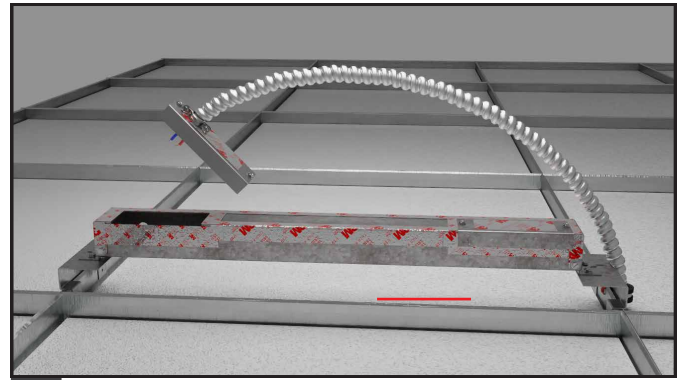
3 Attach loop clip to conduit .75" from the end.



4 Pass low voltage conduit through notch in ceiling tile. Ensure metal conduit continues through ceiling tile and ends flush with bottom of tile.



5 Secure loop clamp to either the designated hole on the driver box clip or into the T-Grid.



6 Attach BX power supply to driver using necessary connections, then attach access plate to driver.



7 Power on fixture.