



Project: \_\_\_\_\_

\_\_\_\_\_

Type: \_\_\_\_\_

\_\_\_\_\_

Notes: \_\_\_\_\_

\_\_\_\_\_

**EZT** | The EZT System, with an extruded three sided acrylic diffusion lens, provides an EZ and versatile way to integrate lines or shapes of light into a Tgrid ceiling. Create unique layouts by forming shapes like squares, rectangles, L's, or straight lengths with no limitation to main or cross tbars as the fixture simply fastens to the bottom of any grid system.

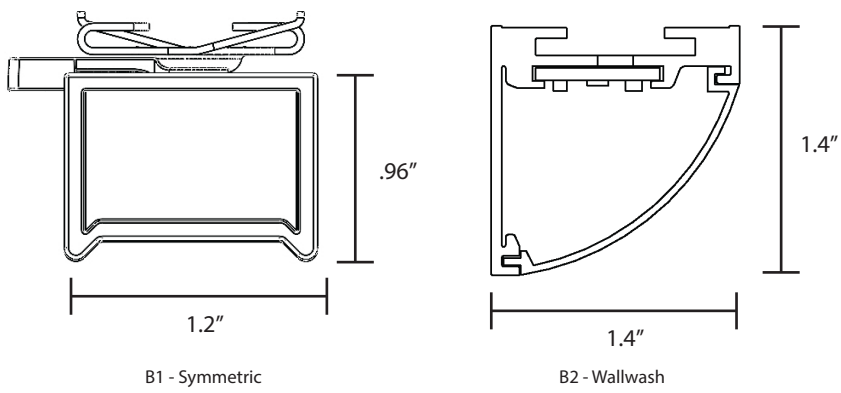


## Ordering Guide

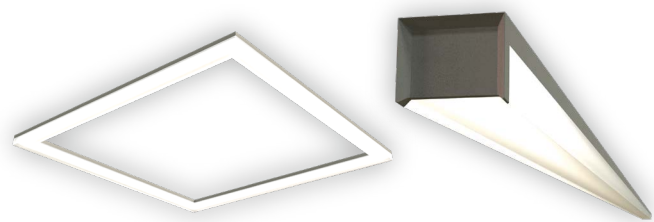
EZTVX				
ARON ID		CEILING TYPE	LENGTH	LUMENS/FT
EZT1	EZTV1	<b>F9</b> Flat 9/16" Tbars w/ Flat Acoustical Panel	<b>2FA</b> 2FT	<b>300</b> 300 lm/ft
		<b>F15</b> Flat 15/16" Tbars w/ Flat Acoustical Panel	<b>4FA</b> 4FT	<b>400</b> 400 lm/ft
		<b>FT9</b> Flat 9/16" Tbars w/ Tegular Acoustical Panel	<b>6FA</b> 6FT	<b>500</b> 500 lm/ft
		<b>FT15</b> Flat 15/16" Tbars w/ Tegular Acoustical Panel	<b>8FA</b> 8FT	<b>750</b> 750 lm/ft
		<b>SS</b> Dimensional 9/16" Bolt Slot Tbars		<b>850</b> 850 lm/ft
		<b>GYP</b> Surface Mount - Hard Lid Ceiling	<b>X</b> 2'x2', 4'x4', 2'x4'..	<b>1000</b> 1000 lm/ft
		<b>FM</b> Fall Tile - Magnet Mounting	<b>C</b> Continuous Run: *1ft Increments	
	<b>FTM</b> Tegular Tile - Magnet Mounting			
			*For Corners or U Shapes, Specify L for Corner, U for U shapes (EX...2'x2'L...)	*Consult Factory for Other Lumen Packages *Wattage Calculated w/ CCT of 35K8

BEAM		COLOR / CRI	UNV	VOLTAGE	DRIVER	ACCESSORIES/RATINGS	FINISH
<b>B1</b> Symmetric <b>B2</b> Direct Only		<b>30K8</b> 3000K - 80CRI	<b>UNV</b> 120-277V	<b>347</b> 347 V	<b>DM</b> Factory 0-10V, Dim 1%	<b>E5W</b> 5W EM Battery	<b>W</b> White - Matte <b>BLK</b> Black - Matte <b>C</b> Custom
		<b>30K9</b> 3000K - 90CRI					
		<b>35K8</b> 3500K - 80CRI			<b>BT</b> Bluetooth	<b>E10W</b> 10W EM Battery	
		<b>35K9</b> 3500K - 90CRI					
		<b>40K8</b> 4000K - 80CRI			<b>ELD</b> EldoLED .1% Dimming <small>*contact factory for other driver, dimming and control options</small>		
		<b>40K9</b> 4000K - 90CRI					
		<b>TW</b> Tunable White					
					**See Page 5 for Bluetooth Information. Consult Factory		

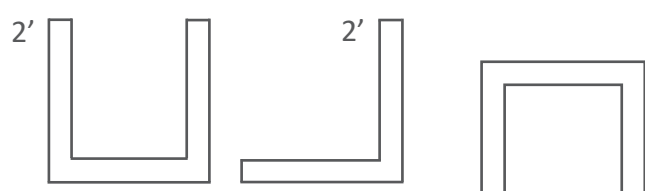
## Dimensions



**Continuous Runs & Shapes:**  
Available at any length, with diffuse joiner for continuous line of light.



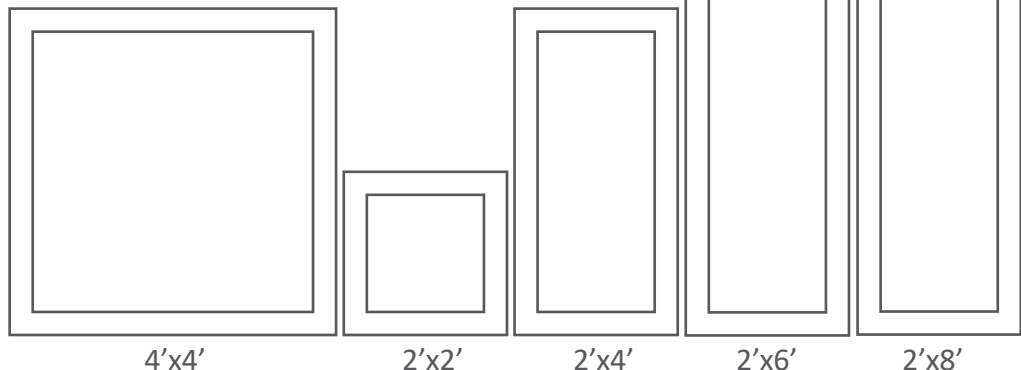
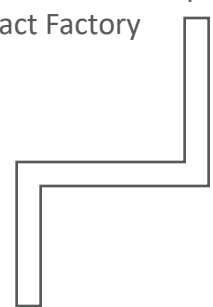
## Application Sizes



\*Increments to the Inch

### MultiDirectional Shapes

\*Contact Factory



## Construction

- Lens: Extruded Volumetric Diffusion Lens
- End Cap: Die Cast Aluminum
- Fixture Housing: Extruded Aluminum, powder coated
- Sheet Metal: Galvanized 18 gauge remote driver box
- Mounting: TGrid Sheet Metal Clip or Drywall Anchors w/ Sheet Metal Attachment Plate
- Joiner: Volumetric Injection Molded Diffuse Material

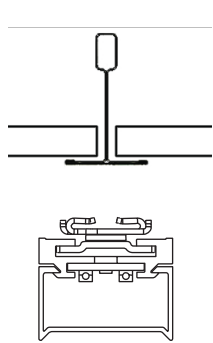
## Optical

- Symmetric Lambertian Distribution
- Extruded Volumetric Diffusion
- Minimum 80 or 90 CRI
- 3000K, 3500K, 4000K
- ≤ 3 SDCM

## Mounting:

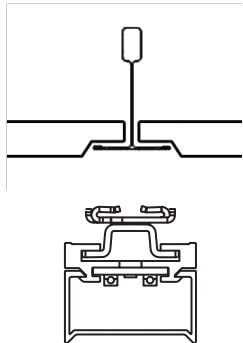
F15 - Flat 15/16" Tbars w/ Flat Accoustical Panel

Clip shown for 15/16th grid

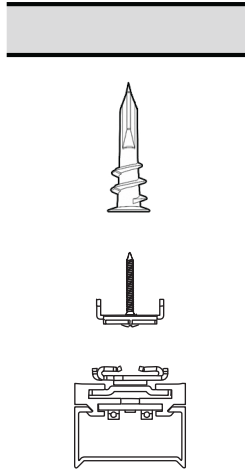


FT15 - Flat 15/16" Tbars w/ Tegular Accoustical Panel

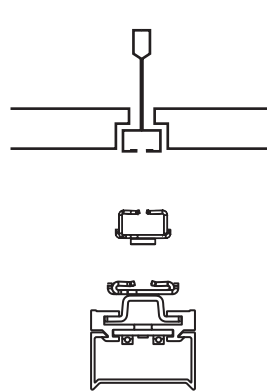
Clip shown for 15/16th grid



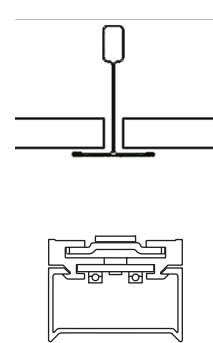
GYP - Surface Mount - Hard Lid Ceiling



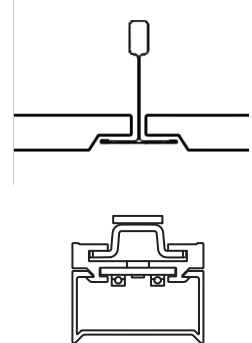
SS - Dimensional 9/16" Bolt Slot Tbars



FM - Magnet Mounting w/ Flat Accoustical Panel



FTM - Magnet Mounting w/ Tegular Accoustical Panel



## Electrical

- Remote high efficiency driver w/ universal 120-277 input
- 0-10V dimming (1%) standard
- Class 2
- Optional Integral battery pack
- L90: 90,000 Hours
- L70: 185,000 Hours
- Various Control and Driver Options
- \*Contact factory

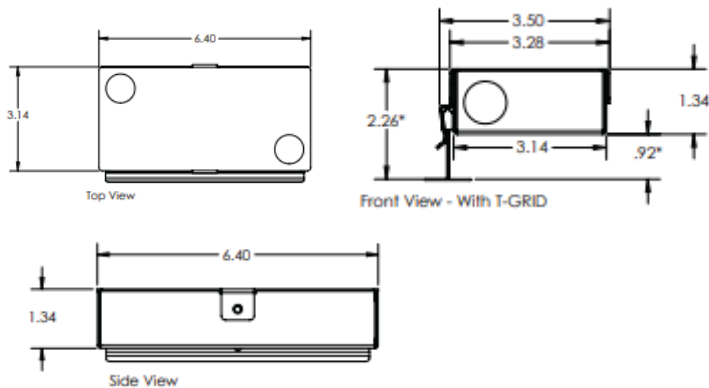
## Mechanical Joining

- Simple Mechanical Joining for Continuous Runs & Illuminated Mitered Corners

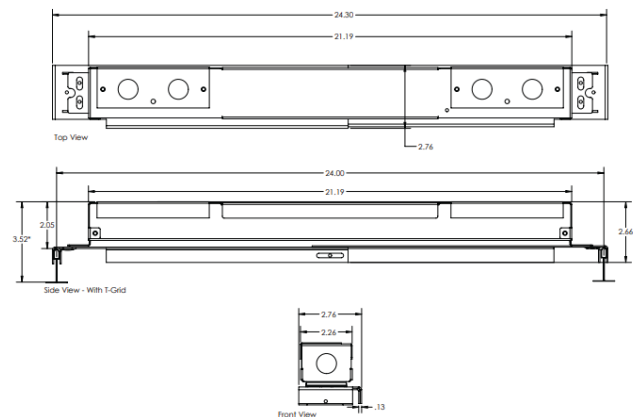


## Remote Kit Options

**LOW PROFILE REMOTE DRIVER BOX**  
MAX DRIVER SIZE 25W

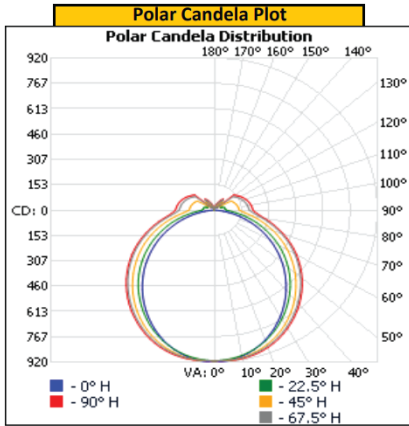


**STANDARD REMOTE DRIVER BOX**  
MAX DRIVER SIZE 95W



## Model Tested: EZT-FT15-4FA-1000-B1-35K8-UNV-DM-W

### Photometric Curve



### Candela Distribution

**LUMINOUS INTENSITY SUMMARY (candela)**

Angle (°)	0	22.5	45	67.5	90
0	913	913	913	913	913
5	915	906	914	911	914
10	898	894	906	908	912
15	872	872	890	896	903
20	837	842	867	877	885
25	794	805	836	850	859
30	745	762	798	817	826
35	690	713	754	778	788
40	630	661	705	734	745
45	567	605	652	686	698
50	502	545	595	634	647
55	434	482	535	580	592
60	364	417	475	521	534
65	292	349	412	460	474
70	219	282	347	397	411
75	150	215	283	334	349
80	83	152	223	274	290
85	29	99	171	225	243
90	0	67	142	198	220
95	0	64	138	193	213
100	0	62	134	188	207
105	0	59	129	181	199
110	0	46	124	172	189
115	0	38	117	162	179
120	0	45	110	152	167
125	0	40	36	140	154
130	0	34	31	42	141
135	0	29	69	20	18
140	0	25	58	80	16
145	0	21	46	72	78
150	0	16	37	58	66
155	0	12	29	44	52
160	0	8	21	28	39
165	0	0	13	19	24
170	0	0	4	9	11
175	0	0	0	0	0
180	0	0	0	0	0

Entire luminous intensity matrix found in .IES file

### Zonal Lumens

### Luminance Data (cd/m<sup>2</sup>)

Zone	Lumens	Luminaire
0-30	719.2	20.5%
0-40	1,186.0	33.8%
0-60	2,154.6	61.3%
60-90	859.7	24.5%
70-100	599.3	17.1%
90-120	362.0	10.3%
0-90	3,014.3	85.8%
90-180	499.5	14.2%
0-180	3,513.8	100.0%

### Wattage/ft

Lumens/ft	Watts/ft
300	2.37W
400	3.16W
500	3.95W
750	5.92W
850	6.71W
1000	7.89W

Length: 4ft  
 Lumens/ft: 878.5  
 Total Lumens: 3513.8  
 Input Watts: 27.74 W  
 Efficacy: 126.7 lm/W