

# EZT



Project: \_\_\_\_\_

\_\_\_\_\_

Type: \_\_\_\_\_

\_\_\_\_\_

Notes: \_\_\_\_\_

\_\_\_\_\_

**EZT** | The EZT System, with multiple lensing options, provides an EZ and versatile way to integrate lines or shapes of light into a Tgrid or drywall ceiling. Create unique layouts by forming shapes like squares, rectangles, L's, or straight lengths with no limitation to main or cross tbars as the fixture simply fastens to the bottom of any grid system or magnetically mounts to drywall ceilings. Also available for pendant mounting.



## Ordering Guide

EZTX		CEILING TYPE		LENGTH		LUMENS/FT		BEAM	
ARON ID									
EZT1	EZTV1	<b>F9</b>	Flat 9/16" Tbars w/ Flat Accoustical Panel	<b>2FA</b>	2FT	<b>300</b>	300 lm/ft	<b>B1</b>	3 Sided Diffusion
		<b>F15</b>	Flat 15/16" Tbars w/ Flat Accoustical Panel	<b>4FA</b>	4FT	<b>400</b>	400 lm/ft	<b>B2</b>	Direct Only
		<b>FT9</b>	Flat 9/16" Tbars w/ Tegular Accoustical Panel	<b>6FA</b>	6FT	<b>500</b>	500 lm/ft		
		<b>FT15</b>	Flat 15/16" Tbars w/ Tegular Accoustical Panel	<b>8FA</b>	8FT	<b>750</b>	750 lm/ft		
		<b>SS</b>	Dimensional 9/16" Bolt Slot Tbars	<b>X</b>	2'x2', 4'x4', 2'x4'..	<b>850</b>	850 lm/ft		
		<b>GYP</b>	Hard Lid Ceiling Surface Mount - Magnet Mounting	<b>C</b>	Continuous Run: *1ft Increments	<b>1000</b>	1000 lm/ft		
		<b>FM</b>	T-Grid - Magnet Mounting						
<b>FTM</b>	Tegular Tile - Magnet Mounting								
<b>WS</b>	Wood Slat - Magnet Mounting								

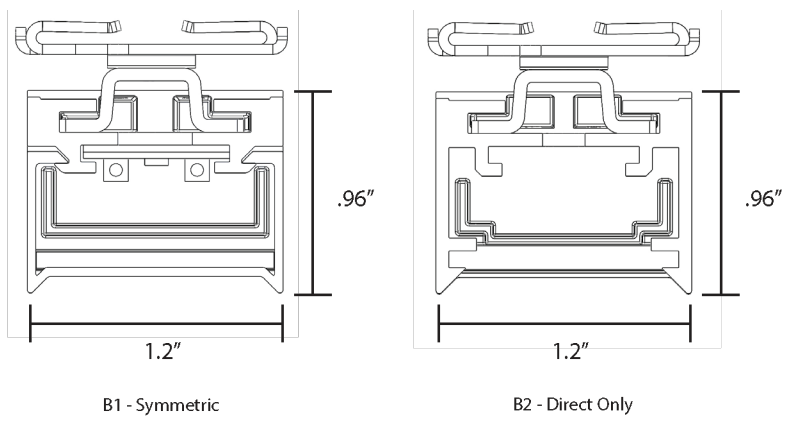
\*For Corners or U Shapes, Specify L for Corner, U for U shapes (EX. ...2'x2'L...)

\*Consult Factory for Other Lumen Packages  
\*Wattage Calculated w/ CCT of 35K8

COLOR / CRI		VOLTAGE		DRIVER		ACCESSORIES/RATINGS		FINISH		RATINGS	
<b>30K8</b>	3000K - 80CRI	<b>UNV</b>	120-277V	<b>DM</b>	Factory 0-10V, Dim 1%	<b>E5W</b>	5W EM Battery	<b>W</b>	White - Matte	<b>CCEA</b>	Chicago Plenum Rated
<b>30K9</b>	3000K - 90CRI		347 V		<b>BT</b>		Bluetooth		<b>E10W</b>		
<b>35K8</b>	3500K - 80CRI			<b>ELD</b>	EldoLED .1% Dimming			<b>C</b>	Custom		
<b>35K9</b>	3500K - 90CRI				*contact factory for other driver, dimming and control options						
<b>40K8</b>	4000K - 80CRI										
<b>40K9</b>	4000K - 90CRI										
<b>TW</b>	Tunable White										

\*\*See Page 5 for Bluetooth Information. Consult Factory

## Dimensions



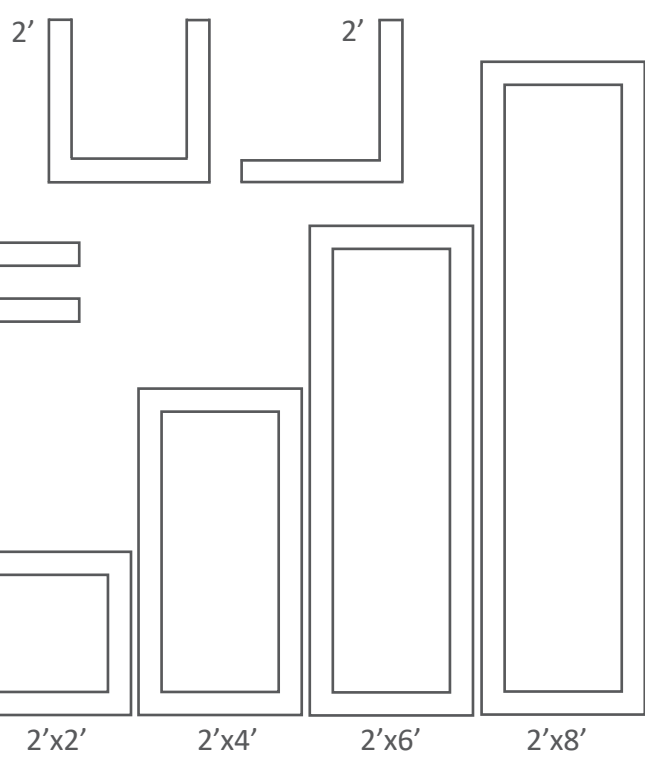
**Continuous Runs & Shapes:**  
Available at any length, with diffuse joiner for continuous line of light.



## Application Sizes



\*Increments to the foot  
\*Contact factory if custom lengths are required



MultiDirectional Shapes  
\*Contact Factory

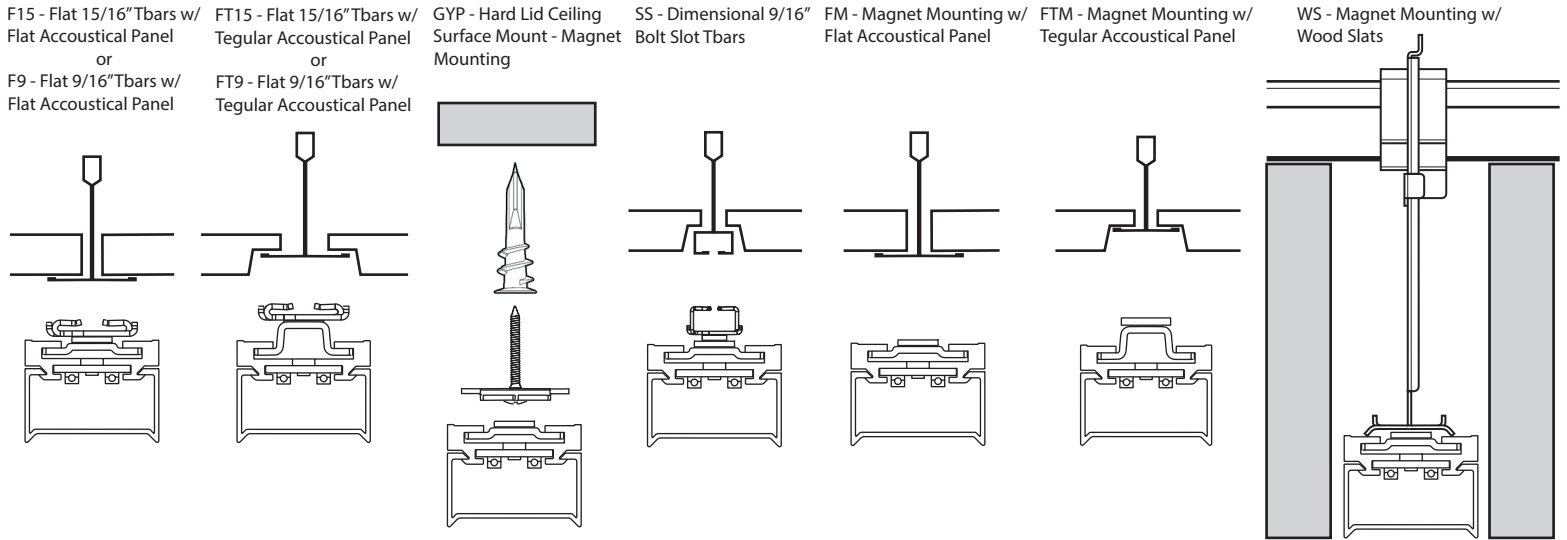
## Construction

- Lens: Extruded Volumetric Diffusion Lens
- End Cap: Die Cast Aluminum
- Fixture Housing: Extruded Aluminum, powder coated
- Sheet Metal: Galvanized 18 gauge remote driver box
- Mounting: TGrid Sheet Metal Clip or Drywall Anchors w/ Sheet Metal Attachment Plate
- Joiner: Volumetric Injection Molded Diffuse Material

## Optical

- Symmetric Lambertian Distribution
- Extruded Volumetric Diffusion
- Minimum 80 or 90 CRI
- 3000K, 3500K, 4000K
- ≤ 3 SDCM

## Mounting:



## Electrical

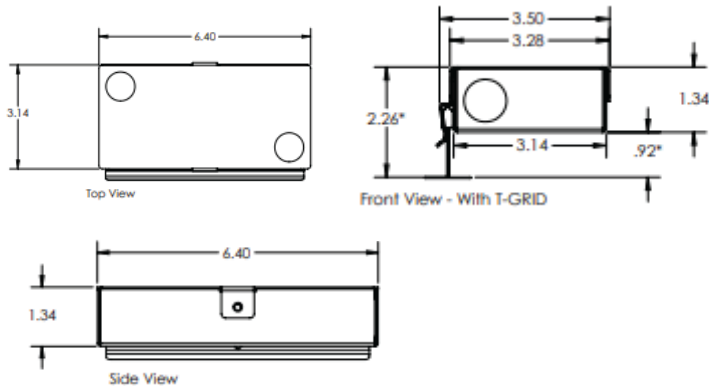
- Remote high efficiency driver w/ universal 120-277 input
- 0-10V dimming (1%) standard
- Class 2
- Optional Integral battery pack
- L90: 90,000 Hours
- L70: 185,000 Hours
- Various Control and Driver Options
- \*Contact factory

## Mechanical Joining

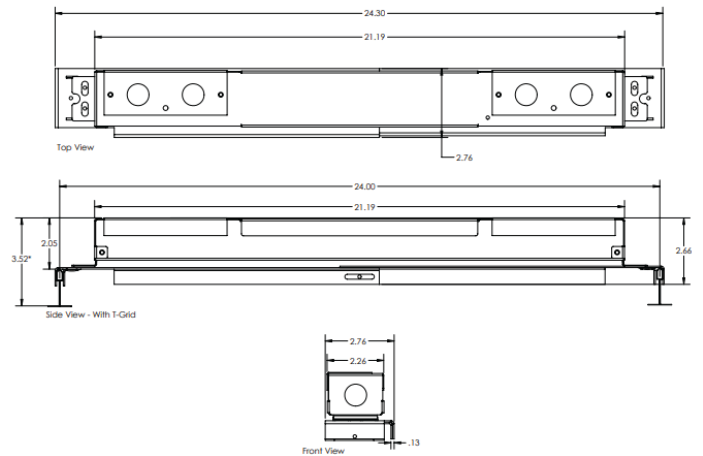


## Remote Kit Options

### LOW PROFILE REMOTE DRIVER BOX MAX DRIVER SIZE 25W

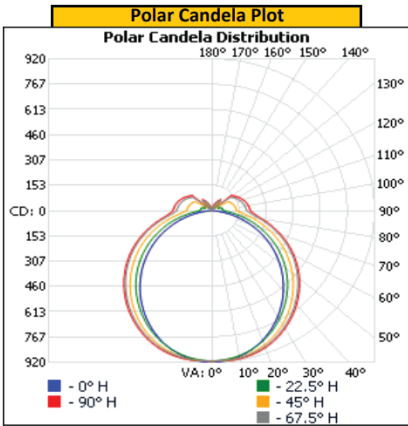


### STANDARD REMOTE DRIVER BOX MAX DRIVER SIZE 95W



## Model Tested: EZT-FT15-4FA-1000-B1-35K8-UNV-DM-W

### Photometric Curve



Length: 4ft  
 Lumens/ft: 878.5  
 Total Lumens: 3513.8  
 Input Watts: 27.74 W  
 Efficacy: 126.7 lm/W

### Candela Distribution

LUMINOUS INTENSITY SUMMARY (candela)

Angle (°)	0	22.5	45	67.5	90
0	913	913	913	913	913
5	915	906	914	911	914
10	898	894	906	908	912
15	872	872	890	896	903
20	837	842	867	877	885
25	794	805	836	850	859
30	745	762	798	817	826
35	690	713	754	778	788
40	630	661	705	734	745
45	567	605	652	686	698
50	502	545	595	634	647
55	434	482	535	580	592
60	364	417	475	521	534
65	292	349	412	460	474
70	219	282	347	397	411
75	150	215	283	334	349
80	83	152	223	274	290
85	29	99	171	225	243
90	0	67	142	198	220
95	0	64	138	193	213
100	0	62	134	188	207
105	0	59	129	181	199
110	0	46	124	172	189
115	0	38	117	162	179
120	0	45	110	152	167
125	0	40	36	140	154
130	0	34	31	42	141
135	0	29	69	20	18
140	0	25	58	80	16
145	0	21	46	72	78
150	0	16	37	58	66
155	0	12	29	44	52
160	0	8	21	28	39
165	0	0	13	19	24
170	0	0	4	9	11
175	0	0	0	0	0
180	0	0	0	0	0

Entire luminous intensity matrix found in .IES file

### Zonal Lumens

### Luminance Data (cd/m²)

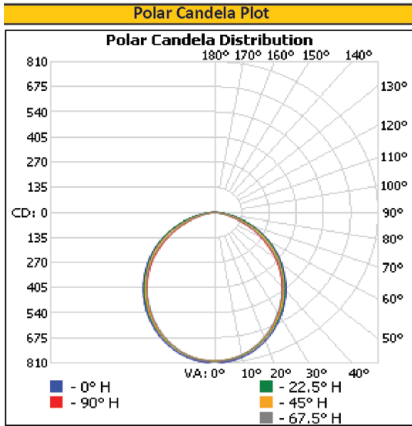
Zone	Lumens	Luminaire
0-30	719.2	20.5%
0-40	1,186.0	33.8%
0-60	2,154.6	61.3%
60-90	859.7	24.5%
70-100	599.3	17.1%
90-120	362.0	10.3%
0-90	3,014.3	85.8%
90-180	499.5	14.2%
0-180	3,513.8	100.0%

### Wattage/ft

Lumens/ft	Watts/ft
300	2.37W
400	3.16W
500	3.95W
750	5.92W
850	6.71W
1000	7.89W

## Model Tested: EZT-FT15-2FA-1000-B2-35K8-UNV-DM-W

### Photometric Curve



Length: 2ft  
 Lumens/ft: 1001.3  
 Total Lumens: 2002.6  
 Input Watts: 19.3 W  
 Efficacy: 103.7 lm/W

### Candela Distribution

LUMINOUS INTENSITY SUMMARY (candela)

Angle (°)	Horizontal				
	0	22.5	45	67.5	90
0	800	800	800	800	800
5	804	794	793	794	795
10	789	779	778	777	779
15	766	756	754	752	754
20	735	724	722	716	720
25	695	686	682	673	678
30	651	642	636	625	631
35	601	593	586	575	578
40	548	541	532	524	521
45	491	484	476	469	463
50	433	427	417	407	400
55	373	367	357	341	331
60	313	308	293	274	265
65	251	248	228	207	198
70	188	186	163	141	132
75	126	125	101	80	73
80	70	66	44	31	28
85	24	20	8	5	5
90	0	0	0	0	0
95	0	0	0	0	0
100	0	0	0	0	0
105	0	0	0	0	0
110	0	0	0	0	0
115	0	0	0	0	0
120	0	0	0	0	0
125	0	0	0	0	0
130	0	0	0	0	0
135	0	0	0	0	0
140	0	0	0	0	0
145	0	0	0	0	0
150	0	0	0	0	0
155	0	0	0	0	0
160	0	0	0	0	0
165	0	0	0	0	0
170	0	0	0	0	0
175	0	0	0	0	0
180	0	0	0	0	0

Full luminous intensity matrix found in .IES file

### Zonal Lumens

### Luminance Data (cd/m²)

Zone (°)	Lumens	Luminaire
0-30	602.1	30.1%
0-40	968.5	48.4%
0-60	1,652.3	82.5%
60-90	350.3	17.5%
70-100	126.1	6.3%
90-120	0.0	0.0%
0-90	2,002.6	100.0%
90-180	0.0	0.0%
0-180	2,002.6	100.0%

### Wattage/ft

Lumens/ft	Watts/ft
300	2.89W
400	3.86W
500	4.82W
750	7.23W
850	8.19W
1000	9.64W