

EZT



Project: _____

 Type: _____

 Notes: _____

EZT | The EZT System, with multiple lensing options, provides an EZT and versatile way to integrate lines or shapes of light into a T-Grid or drywall ceiling. Create unique layouts by forming shapes like squares, rectangles, L's, or straight lengths with no limitation to main or cross tbars as the fixture simply fastens to the bottom of any grid system or magnetically mounts to drywall ceilings. Also available for pendant mounting.



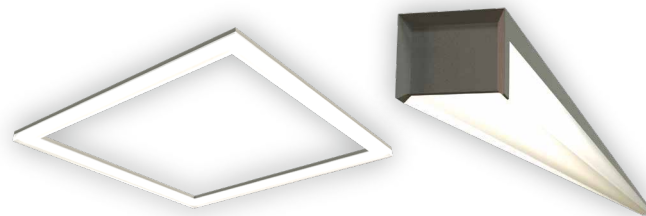
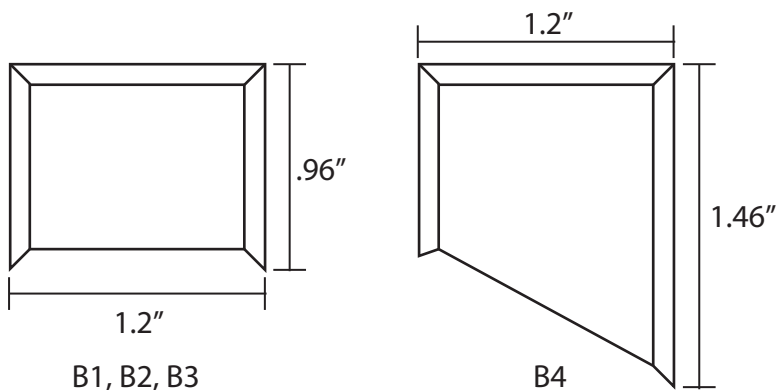
EZTX		MOUNTING TYPE		FIXTURE LENGTH		LUMEN/FT		BEAM		END CAP STYLE	
ARON ID											
EZTX	EZT V1	F9	Flat 9/16" Tbars w/Flat Accoustical Panel	2FA	2FT	300	300 lm/ft	B1	3 Sided Diffusion	ST	Standard
		F15	Flat 15/16" Tbars w/Flat Accoustical Panel	4FA	4FT	400	400 lm/ft	B2	Direct Only	WF	Waterfall
		FT9	Flat 9/16" Tbars w/ Tegular Accoustical Panel	500	500 lm/ft	B3AW	Louvers - Straight White	AR	Arc		
		FT15	Flat 15/16" Tbars w/ Tegular Accoustical Panel	6FA	6FT	750	750 lm/ft	B3AB	Louvers - Straight Black		
		SS	Dimensional 9/16" Bolt Slot Tbars	8FA	8FT	850	850 lm/ft	B3BW	Louvers - Cross White		
		GYP	Hard Lid Ceiling Surface Mount - Magnet Mounting	X	2'x2', 4'x4', 2'x4'...	1000	1000 lm/ft	B3BB	Louvers - Cross Black		
		FM	T-Grid - Magnet Mounting	C	Continuous Run: *1ft Increments			B4	Wallwash		
		FTM	Tegular Tile - Magnet Mounting								
		WS	Wood Slat - Magnet Mounting								
		WM	Wall Mount - Twist Lock Mounting								
				*For Corners or U Shapes, Specify L for Corner, U for U shapes (EX. ...2'x2'L...)		*Consult Factory for Other Lumen Packages					
						*Wattage Calculated w/ CCT of 35K8					

COLOR / CRI		VOLTAGE		DRIVER		ACCESSORIES		FINISH		RATINGS	
27K8	2700K - 80CRI	UNV	120-277V	DM	Factory 0-10V, Dim 1%	E5W	5W EM Battery	W	White - Matte	CCEA	Chicago Plenum Rated
27K9	2700K - 90CRI		347		347 V		BT		Bluetooth		
30K8	3000K - 80CRI			ELD	EldoLED .1% Dimming			C	Custom		
30K9	3000K - 90CRI										
35K8	3500K - 80CRI										
35K9	3500K - 90CRI										
40K8	4000K - 80CRI										
40K9	4000K - 90CRI										
TW	Tunable White										
					**See Page 5 for Bluetooth Information. Consult Factory						

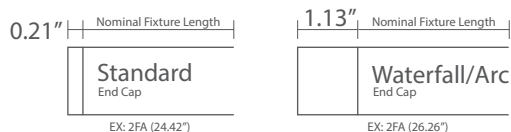
Dimensions

Continuous Runs & Shapes:

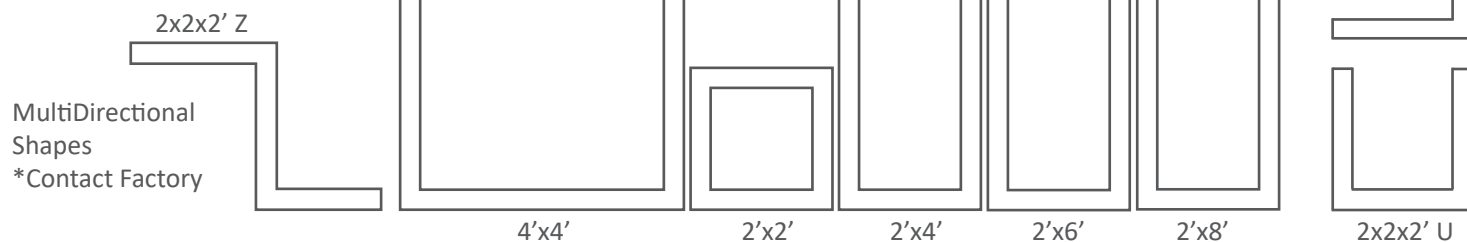
Available at any length, with diffuse joiner for continuous line of light.



Application Sizes



*Increments to the foot
*Contact factory if custom lengths are required

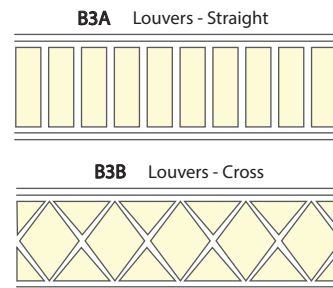


Construction

- Lens: Extruded Volumetric Diffusion Lens
- End Cap: Die Cast Aluminum
- Fixture Housing: Extruded Aluminum, powder coated
- Sheet Metal: Galvanized 18 gauge remote driver box
- Mounting: TGrid Sheet Metal Clip or Drywall Anchors w/ Sheet Metal Attachment Plate
- Joiner: Volumetric Injection Molded Diffuse Material

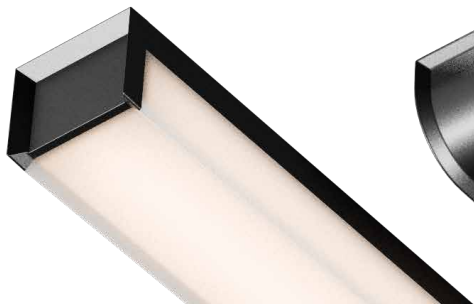
Optical

- Symmetric Lambertian and Asymmetric Distributions
- Extruded Volumetric Diffusion Lenses
- Minimum 80 or 90 CRI

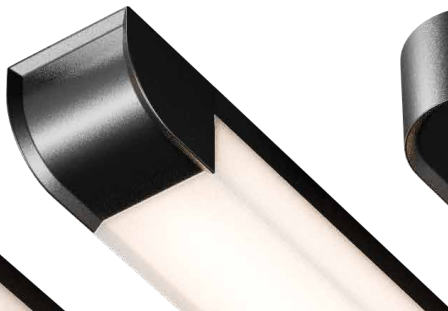


End Cap Options

ST - Standard



WF - Waterfall



AR - Arc



Electrical

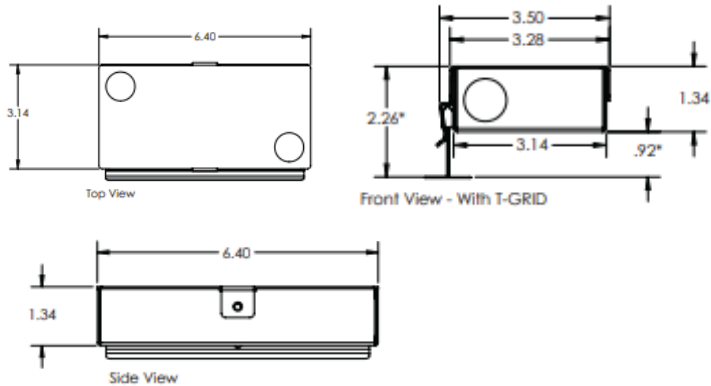
- Remote high efficiency driver w/ universal 120-277 input
- 0-10V dimming (1%) standard
- Class 2
- Optional Integral battery pack
- L90: 90,000 Hours
- L70: 185,000 Hours
- Various Control and Driver Options
- *Contact factory

Mechanical Joining

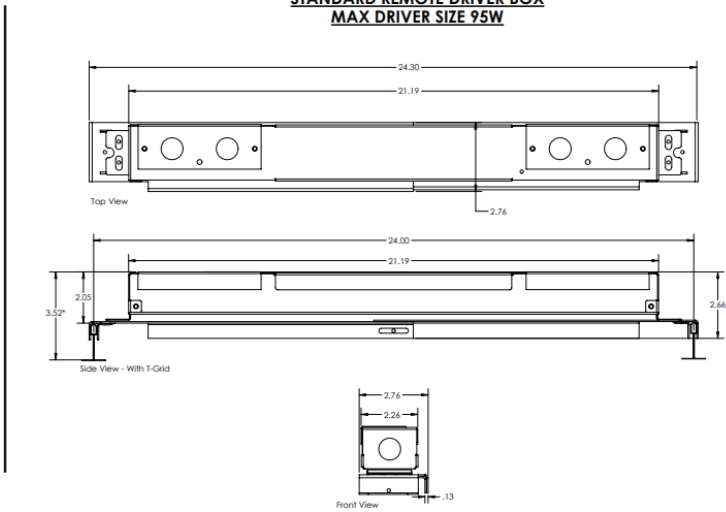
- Simple Mechanical Joining for Continuous Runs & Illuminated Mitered Corners

Remote Kit Options

**LOW PROFILE REMOTE DRIVER BOX
MAX DRIVER SIZE 25W**

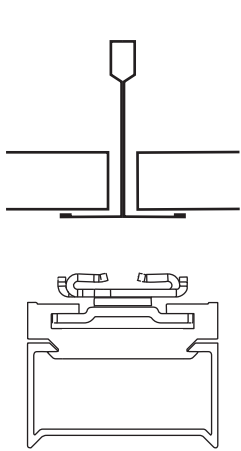


**STANDARD REMOTE DRIVER BOX
MAX DRIVER SIZE 95W**

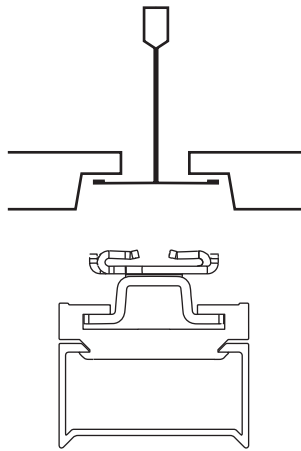


Mounting Options

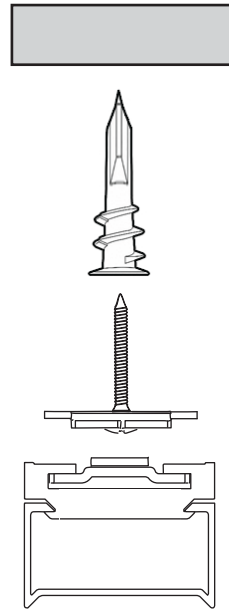
F15 - Flat 15/16" Tbars w/
Flat Accoustical Panel
or
F9 - Flat 9/16" Tbars w/
Flat Accoustical Panel



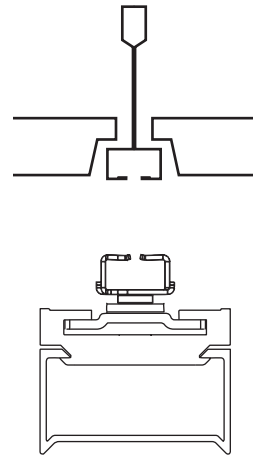
FT15 - Flat 15/16" Tbars w/
Tegular Accoustical Panel
or
FT9 - Flat 9/16" Tbars w/
Tegular Accoustical Panel



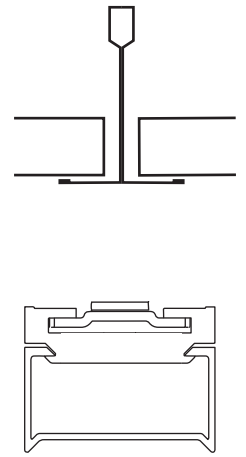
GYP - Hard Lid Ceiling
Surface Mount - Magnet
Mounting



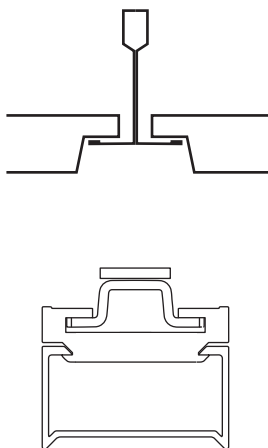
SS - Dimensional 9/16" Bolt Slot Tbars



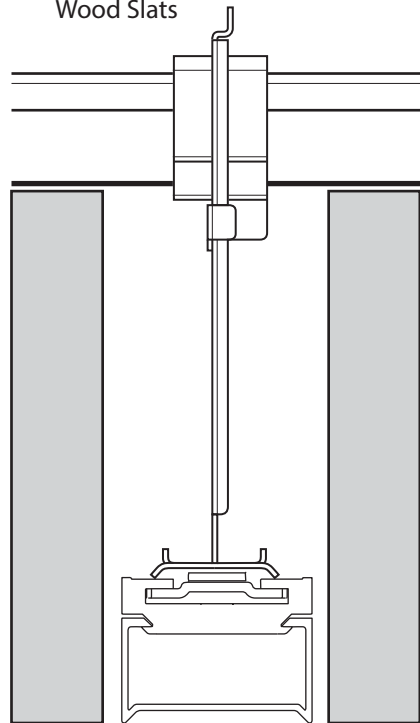
FM - Magnet Mounting w/
Flat Accoustical Panel



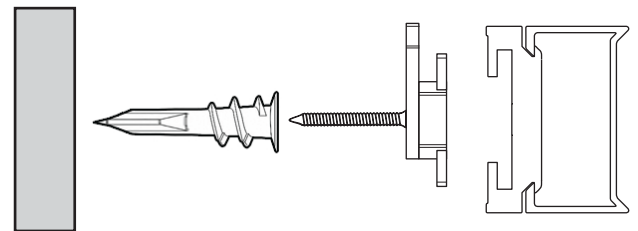
FTM - Magnet Mounting w/
Tegular Accoustical Panel



WS - Magnet Mounting w/
Wood Slats

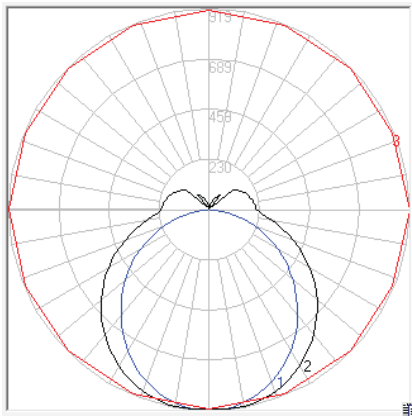


WM - Twist Lock Mounting



Model Tested: EZT-FT15-4FA-1000-B1-35K8-UNV-DM-W

Photometric Curve



Length: 4ft
Lumens/ft: 878.5
Total Lumens: 3513.8
Input Watts: 27.74 W
Efficacy: 126.7 lm/W

Candela Distribution

Luminance Data [cd/sq.m]

Angle In Degrees	Average 0-Deg	Average 45-Deg	Average 90-Deg
45	21303	18184	17680
55	19967	16537	16175
65	18097	14741	14545
75	14926	12483	12653
85	7935	10234	11172

Wattage/ft

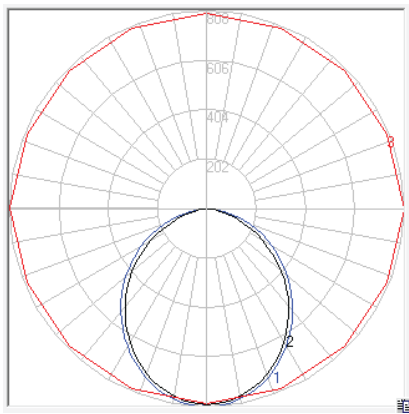
Lumens/ft	Watts/ft
300	2.37W
400	3.16W
500	3.95W
750	5.92W
850	6.71W
1000	7.89W

Zonal Lumens

Zone	Lumens	%Lamp	%Fixt
0-20	336.99	N.A.	9.60
0-30	719.38	N.A.	20.50
0-40	1186.32	N.A.	33.80
0-60	2155.03	N.A.	61.30
0-80	2838.38	N.A.	80.80
0-90	3014.87	N.A.	85.80
10-90	2928.14	N.A.	83.30
20-40	849.33	N.A.	24.20
20-50	1346.25	N.A.	38.30
40-70	1365.74	N.A.	38.90
60-80	683.35	N.A.	19.40
70-80	286.32	N.A.	8.10
80-90	176.49	N.A.	5.00
90-110	259.94	N.A.	7.40
90-120	361.93	N.A.	10.30
90-130	428.91	N.A.	12.20
90-150	482.77	N.A.	13.70
90-180	499.35	N.A.	14.20
110-180	239.41	N.A.	6.80
0-180	3514.22	N.A.	100.00

Model Tested: EZT-FT15-2FA-1000-B2-35K8-UNV-DM-W

Photometric Curve



Length: 2ft
Lumens/ft: 1001.3
Total Lumens: 2002.6
Input Watts: 19.3 W
Efficacy: 103.7 lm/W

Candela Distribution

Luminance Data [cd/sq.m]

Angle In Degrees	Average 0-Deg	Average 45-Deg	Average 90-Deg
45	37354	36186	35171
55	34999	33432	31034
65	31947	29011	25177
75	26198	20899	15092
85	14695	5104	3016

Wattage/ft

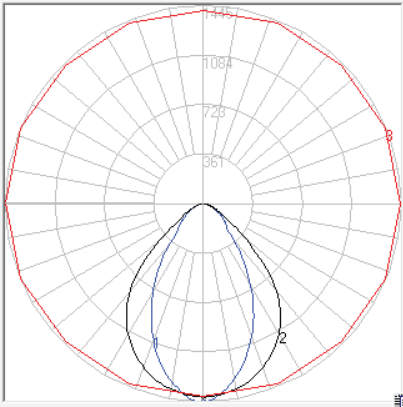
Lumens/ft	Watts/ft
300	2.89W
400	3.86W
500	4.82W
750	7.23W
850	8.19W
1000	9.64W

Zonal Lumens

Zone	Lumens	%Lamp	%Fixt
0-20	288.26	N.A.	14.40
0-30	602.30	N.A.	30.10
0-40	968.81	N.A.	48.40
0-60	1652.81	N.A.	82.50
0-80	1985.21	N.A.	99.10
0-90	2003.25	N.A.	100.00
10-90	1927.84	N.A.	96.20
20-40	680.55	N.A.	34.00
20-50	1047.89	N.A.	52.30
40-70	908.30	N.A.	45.30
60-80	332.40	N.A.	16.60
70-80	108.10	N.A.	5.40
80-90	18.04	N.A.	0.90
90-110	0.00	N.A.	0.00
90-120	0.00	N.A.	0.00
90-130	0.00	N.A.	0.00
90-150	0.00	N.A.	0.00
90-180	0.00	N.A.	0.00
110-180	0.00	N.A.	0.00
0-180	2003.25	N.A.	100.00

Model Tested: EZT-FT15-2FA-1000-B3A-35K8-UNV-DM-W

Photometric Curve



Length: 2ft
Lumens/ft: 1,029
Total Lumens: 2,059
Input Watts: 37.6 W
Efficacy: 55 lm/W

Candela Distribution

Luminance Data [cd/sq.m]

Angle In Degrees	Average 0-Deg	Average 45-Deg	Average 90-Deg
45	2519	4092	6535
55	2043	2340	3089
65	1568	1725	1684
75	1114	1003	932
85	679	210	217

Wattage/ft

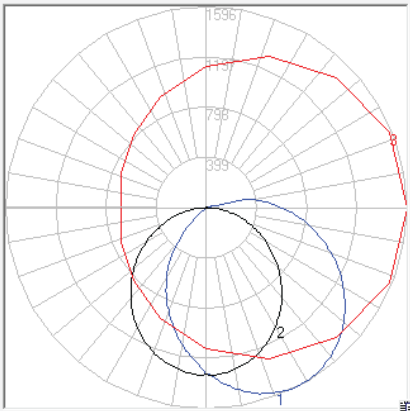
Lumens/ft	Watts/ft
300	5.45W
400	7.27W
500	9.1W
750	13.63W
850	15.45W
1000	18.18W

Zonal Lumens

Zone	Lumens	%Lamp	%Fixt
0-20	484.03	N.A.	23.50
0-30	952.13	N.A.	46.20
0-40	1407.78	N.A.	68.40
0-60	1915.99	N.A.	93.00
0-80	2053.18	N.A.	99.70
0-90	2059.49	N.A.	100.00
10-90	1927.39	N.A.	93.60
20-40	923.75	N.A.	44.90
20-50	1249.67	N.A.	60.70
40-70	605.23	N.A.	29.40
60-80	137.19	N.A.	6.70
70-80	40.17	N.A.	2.00
80-90	6.31	N.A.	0.30
90-110	0.00	N.A.	0.00
90-120	0.00	N.A.	0.00
90-130	0.00	N.A.	0.00
90-150	0.00	N.A.	0.00
90-180	0.00	N.A.	0.00
110-180	0.00	N.A.	0.00
0-180	2059.49	N.A.	100.00

Model Tested: EZT-FT15-4FA-1000-B4-35K8-UNV-DM-W

Photometric Curve



Length: 4ft
Lumens/ft: 1,060
Total Lumens: 4240
Input Watts: 38 W
Efficacy: 112 lm/W

Candela Distribution

Luminance Data [cd/sq.m]

Angle In Degrees	Average 0-Deg	Average 45-Deg	Average 90-Deg
45	34501	34746	38214
55	31680	31862	36148
65	28650	28761	33673
75	25368	25232	29922
85	21552	20896	21229

Wattage/ft

Lumens/ft	Watts/ft
300	2.69W
400	3.58W
500	4.48W
750	6.72W
850	7.62W
1000	8.96W

Zonal Lumens

Zone	Lumens	%Lamp	%Fixt
0-20	484.53	N.A.	11.40
0-30	1025.77	N.A.	24.20
0-40	1672.11	N.A.	39.40
0-60	2918.39	N.A.	68.80
0-80	3794.92	N.A.	89.50
0-90	4056.33	N.A.	95.70
10-90	3930.77	N.A.	92.70
20-40	1187.58	N.A.	28.00
20-50	1844.36	N.A.	43.50
40-70	1741.43	N.A.	41.10
60-80	876.53	N.A.	20.70
70-80	381.38	N.A.	9.00
80-90	261.41	N.A.	6.20
90-110	173.36	N.A.	4.10
90-120	176.45	N.A.	4.20
90-130	177.87	N.A.	4.20
90-150	180.85	N.A.	4.30
90-180	183.37	N.A.	4.30
110-180	10.01	N.A.	0.20
0-180	4239.7	N.A.	100.00