

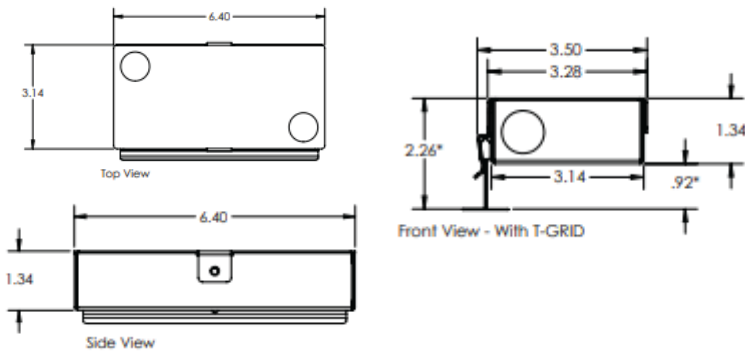
PLEASE READ ALL INSTRUCTIONS CAREFULLY BEFORE INSTALLING. RISK OF FIRE AND ELECTRICAL SHOCK. FIXTURE MUST BE INSTALLED BY A QUALIFIED ELECTRICIAN. ALL INSTALLS SHOULD BE IN ACCORDANCE WITH NATIONAL, LOCAL BUILDING AND ELECTRICAL CODES. ALL WIRES AND MATERIALS USED FOR INPUT/OUTPUT MUST BE UL APPROVED.

*For Continuous Run Fixtures and Shapes, Contact Factory Shop Drawings Will Be Provided

Fixture Dimensions

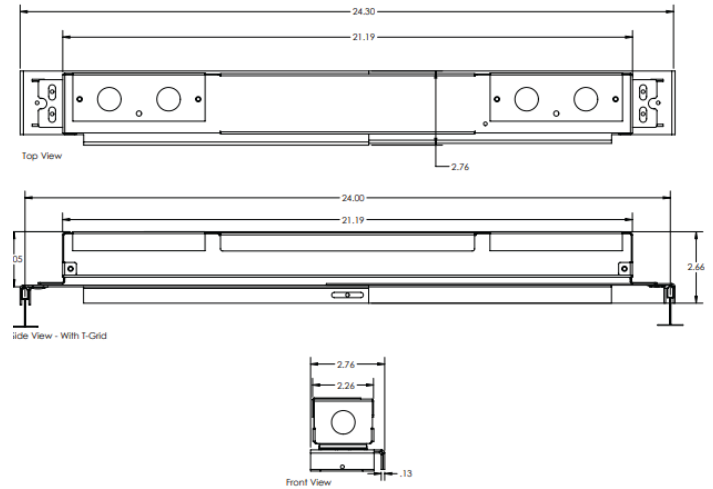
Product	Length	Width
EZT	2FT, 4FT, 6FT, 8FT	1.2"

LOW PROFILE REMOTE DRIVER BOX MAX DRIVER SIZE 25W



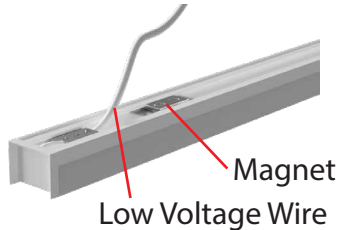
Low Wattage Driver Box

STANDARD REMOTE DRIVER BOX MAX DRIVER SIZE 95W

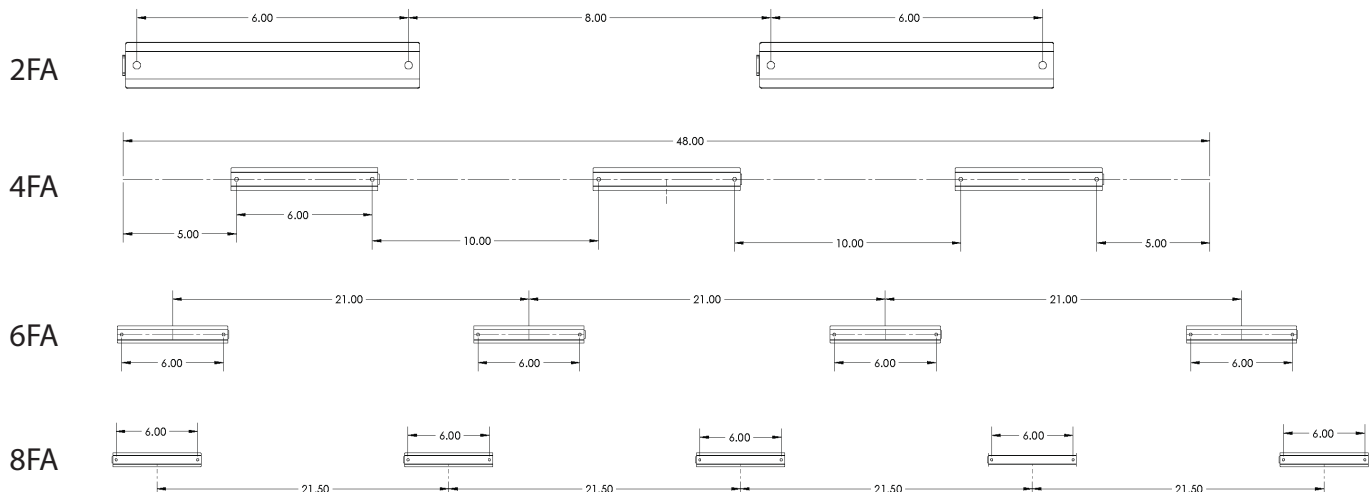


High Wattage Driver Box

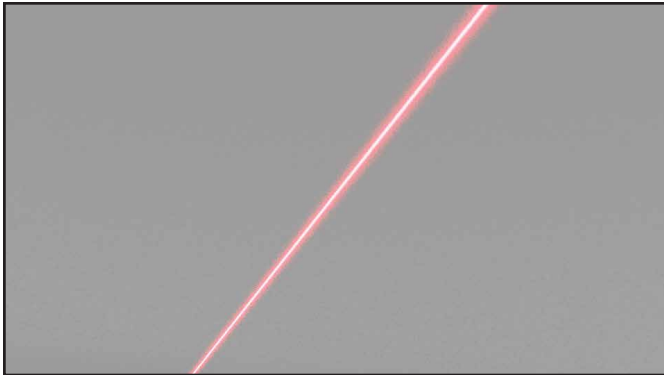
- Provided Hardware:
- Fixture Driver Housing
 - Drywall Anchor
 - Drywall Magnetic Attachment Plate
 - 6-32 Allen Wrench
 - Safety Wire



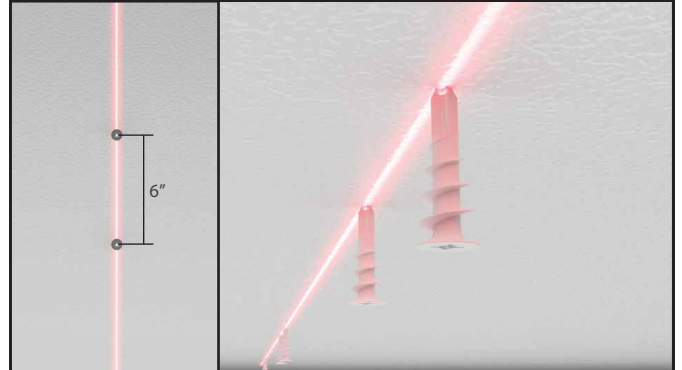
Standard Magnet Mounting Plate Locations



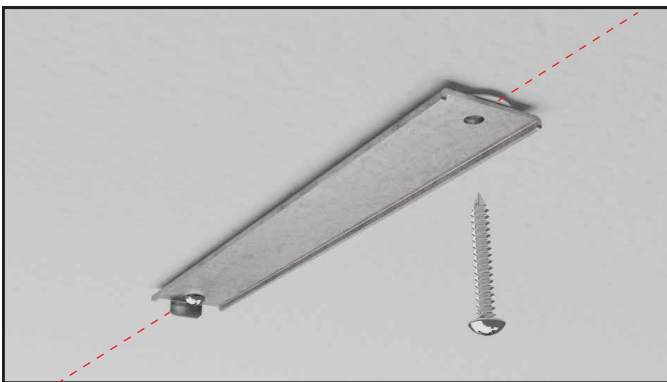
Fixture Installation Steps for Drywall:



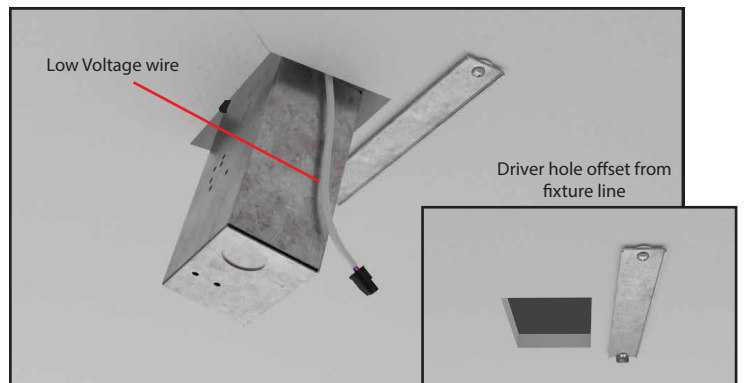
- 1 Mark a straight line using a chalk line or laser where fixture will be installed



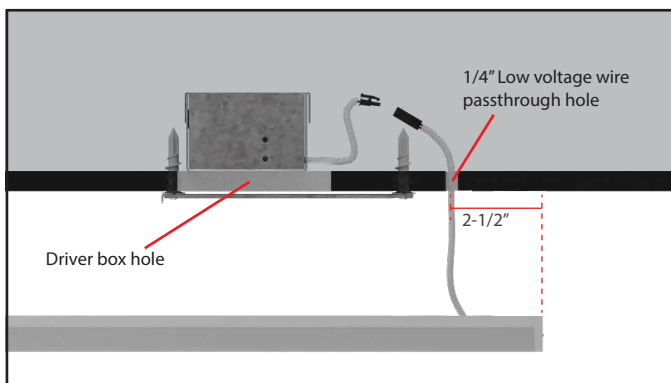
- 2 Install included Drywall Anchors on the line at the distances specified for that fixture length in shop drawings.



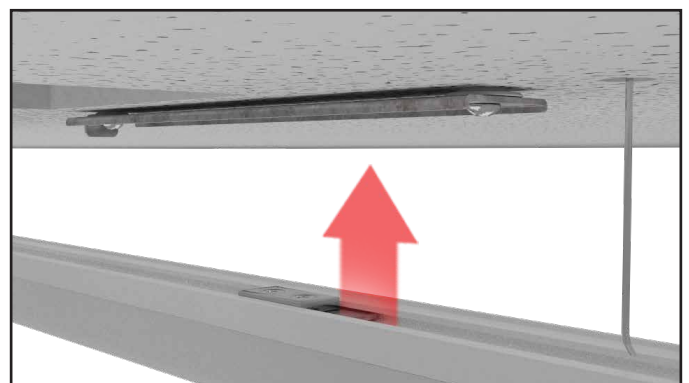
- 3 Orient the Magnetic Drywall attachment plate to be inline with the fixture, then screw into Drywall Anchor. Tabs of plate should be facing downward.



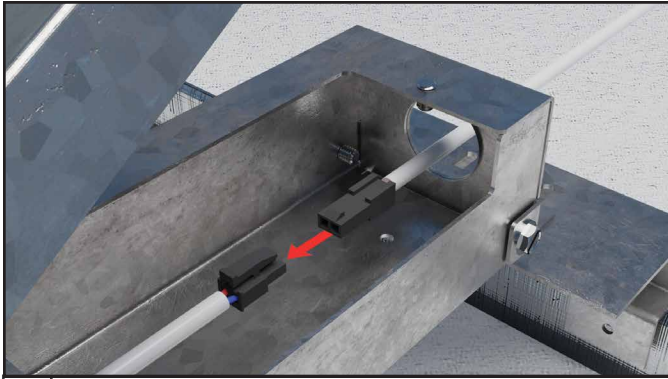
- 4 Cut 4x3" for 25W driver box hole in ceiling where the end of the fixture with electrical connector will be. Connect driver box to power source and insert into ceiling. Leave low voltage wire accessible from room side.



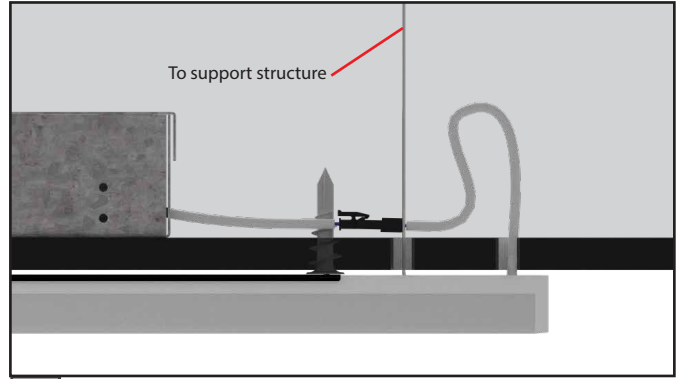
- 5 Drill 1/4" hole 2-1/2" from end of fixture for low voltage wire passthrough. See shop drawings for location of safety wire passthrough hole.



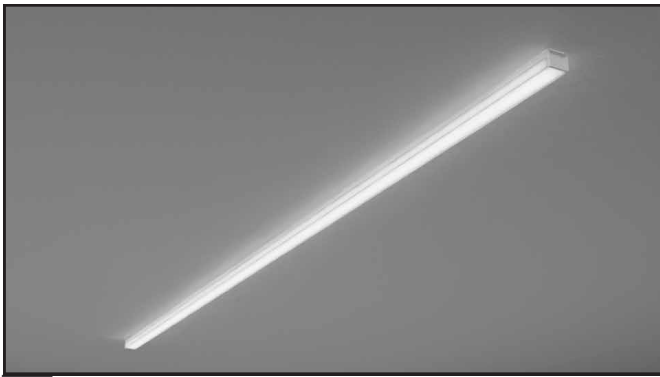
- 6 Raise fixture up to ceiling so that magnets are in line with magnetic attachment plate



7 Connect low voltage lead from fixture to lead coming from driver box.



8 Feed safety wire through hole and attach to structure per code requirements.



9 Turn power on to fixture to ensure it is connected properly, then close up driver box hole.