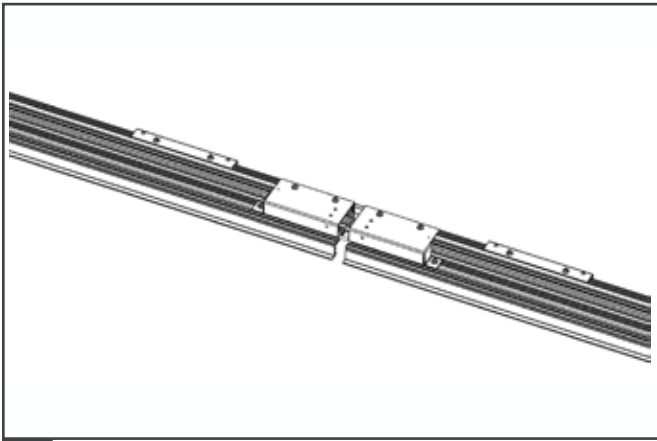


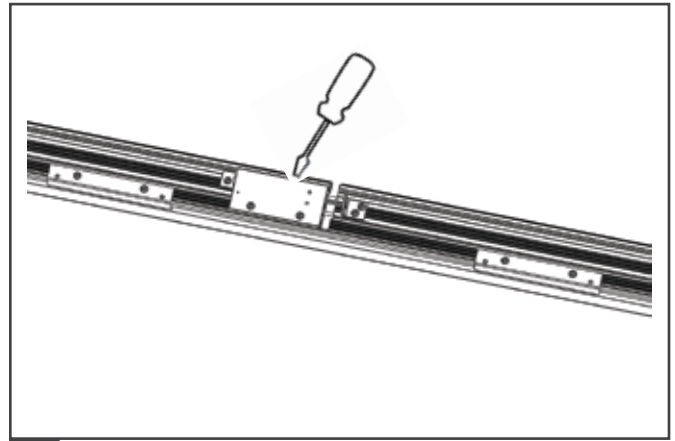
PLEASE READ ALL INSTRUCTIONS CAREFULLY BEFORE INSTALLING. RISK OF FIRE AND ELECTRICAL SHOCK. FIXTURE MUST BE INSTALLED BY A QUALIFIED ELECTRICIAN. ALL INSTALLS SHOULD BE IN ACCORDANCE WITH NATIONAL, LOCAL BUILDING AND ELECTRICAL CODES. ALL WIRES AND MATERIALS USED FOR INPUT/OUTPUT MUST BE UL APPROVED.

IMPORTANT NOTE: DO NOT DRILL THROUGH SIDE OF FIXTURE TO SECURE TO TBAR. DRILLING THROUGH SIDE OF FIXTURE COULD RESULT IN DRILLING INTO LED BOARD, VOIDING ARON WARRANTY

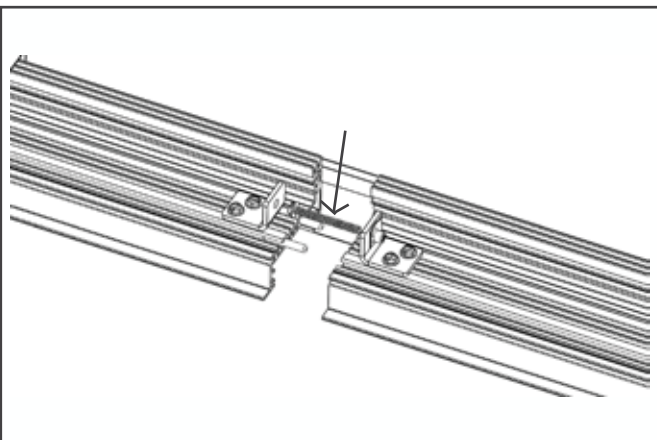
Fixture Joining Steps:



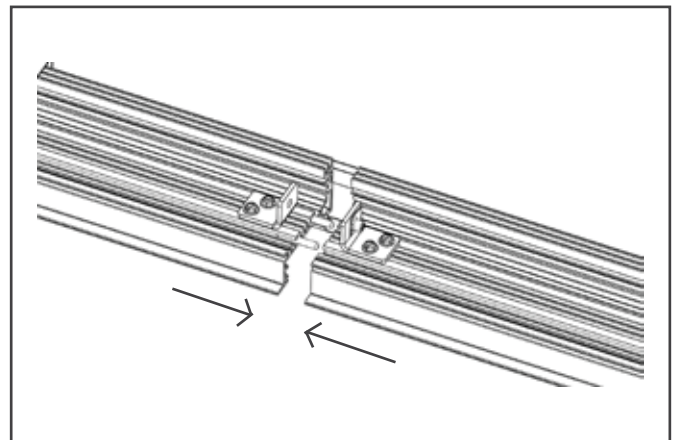
- 1 Secure fixture sections to grid, ensure hook is attached over the TBar.



- 2 Remove both wire boxes at ends of sections and place to the side.



- 3 Remove Joiner Screw and place to the side

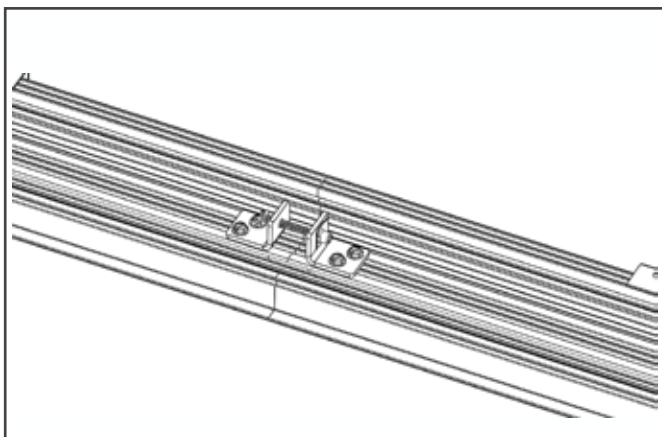


- 4 Align Guide pins and slide fixture sections together. Ensure that no wires are pinched.

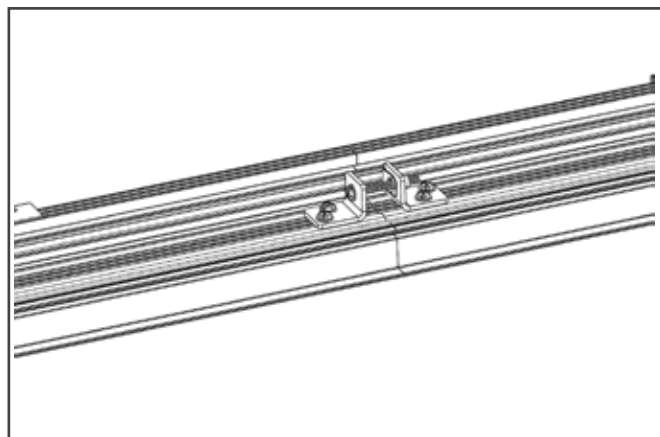
IMPORTANT NOTE: DO NOT DRILL THROUGH SIDE OF FIXTURE TO SECURE TO TBAR. DRILLING THROUGH SIDE OF FIXTURE COULD RESULT IN DRILLING INTO LED BOARD, VOIDING ARON WARRANTY

EDGE/ACE

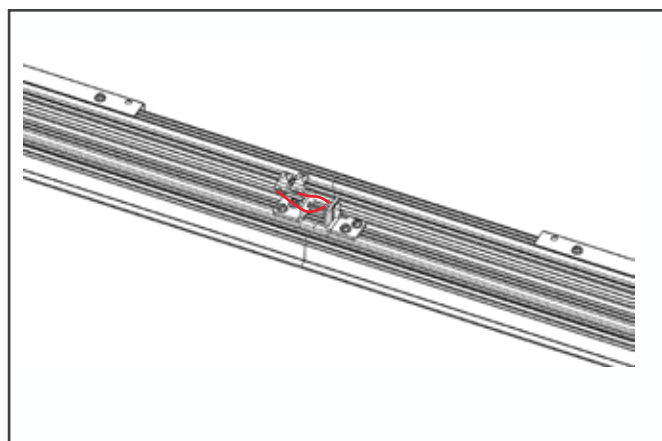
Joining Instructions for Continuous Run Fixtures



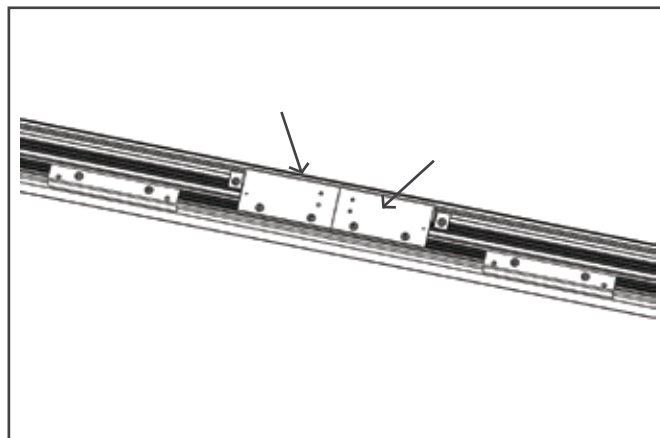
5 Insert joiner screw through male L bracket and thread into female L bracket.



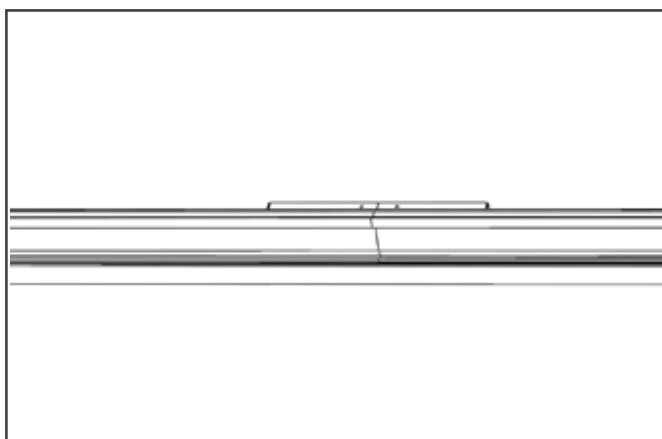
6 Tighten screw to pull fixtures tight together DO NOT overtighten joiner screw.



7 Complete electrical connections between sections



8 Fasten sheet metal plates back onto the fixture, encasing wires.



9 Ensure lenses are flush with each other. Repeat steps for remaining runs.

****COORDINATE INSTALL WITH CEILING CONTRACTOR****

****REFER TO SHOP DRAWINGS FOR CONFIGURATIONS****