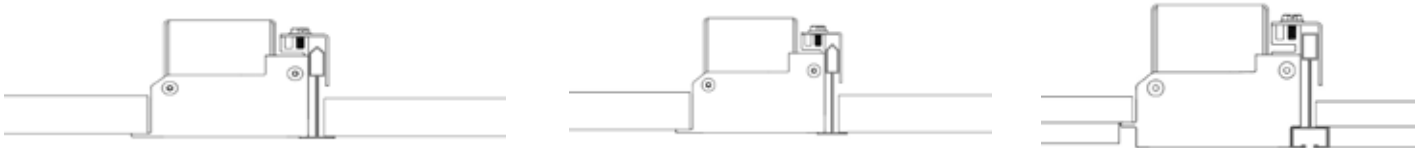


PLEASE READ ALL INSTRUCTIONS CAREFULLY BEFORE INSTALLING. RISK OF FIRE AND ELECTRICAL SHOCK. FIXTURE MUST BE INSTALLED BY A QUALIFIED ELECTRICIAN. ALL INSTALLS SHOULD BE IN ACCORDANCE WITH NATIONAL, LOCAL BUILDING AND ELECTRICAL CODES. ALL WIRES AND MATERIALS USED FOR INPUT/OUTPUT MUST BE UL APPROVED.

Fixture Dimensions

Product	Fixture Length	Fixture Width
EdgeT1-2FA	23.75"	2.75"
EdgeT1-4FA	47.75"	2.75"
EdgeT1-6FA	71.75"	2.75"
EdgeT1-8FA	95.75"	2.75"

T-Bar Mounting Styles (See Spec Sheet for Other Options)

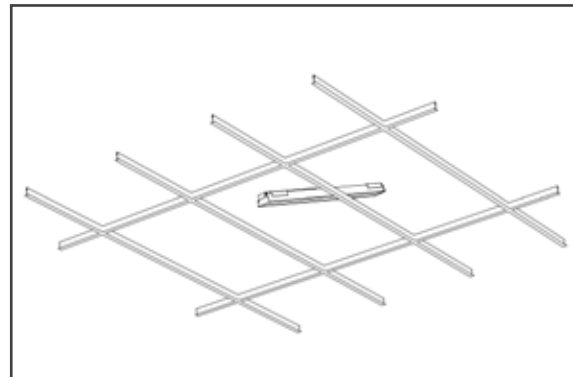


Fixture Installation Steps:

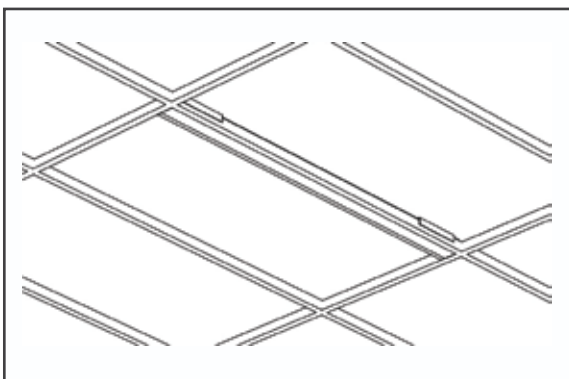
IMPORTANT NOTE: DO NOT DRILL THROUGH SIDE OF FIXTURE TO SECURE TO T-BAR. DRILLING THROUGH SIDE OF FIXTURE COULD RESULT IN DRILLING INTO LED BOARD, VOIDING ARON WARRANTY



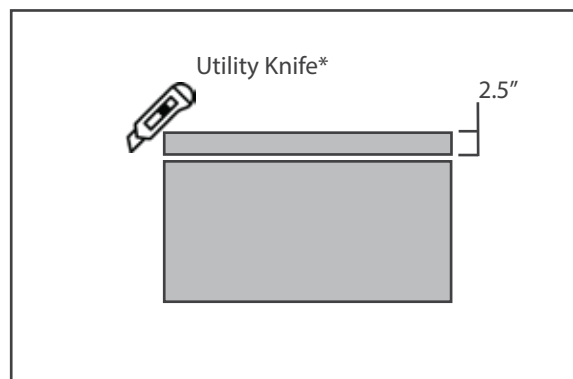
1 Ensure power to fixture circuit is turned off and remove all packaging from fixture



2 Insert fixture into ceiling

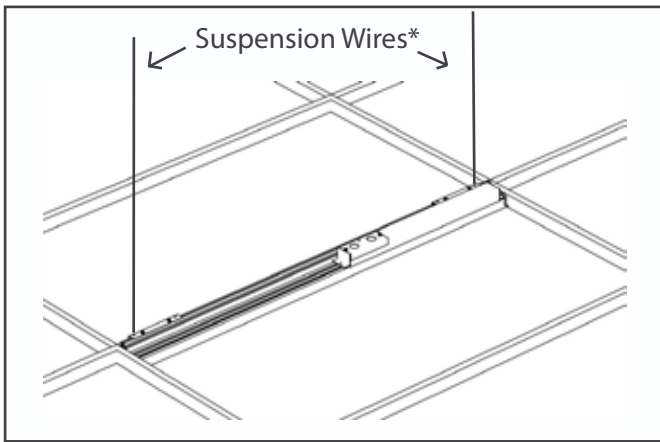


3 Place fixture onto T-Bar, with hooks going over the T-Bar

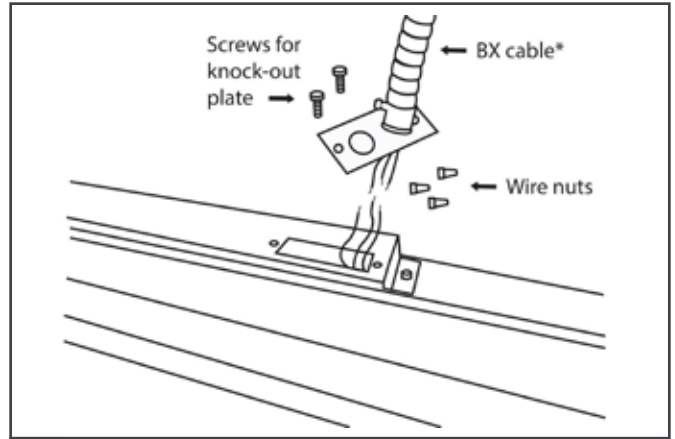


4 Cut 2.5" off of ceiling panel

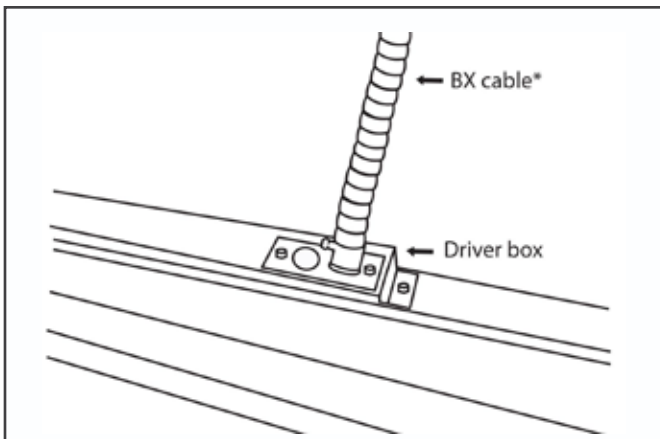
IMPORTANT NOTE: DO NOT DRILL THROUGH SIDE OF FIXTURE TO SECURE TO T-BAR. DRILLING THROUGH SIDE OF FIXTURE COULD RESULT IN DRILLING INTO LED BOARD, VOIDING ARON WARRANTY



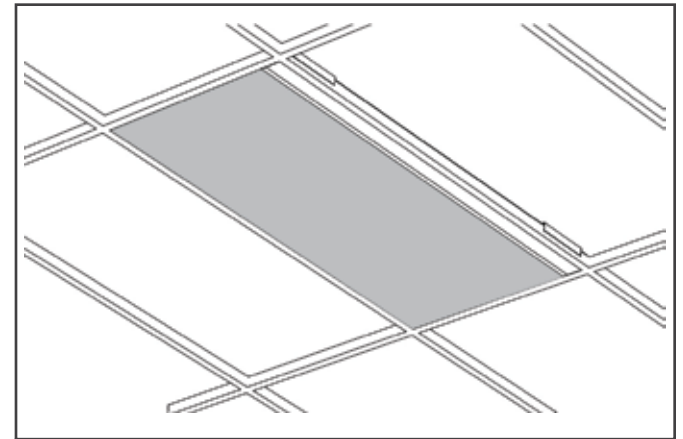
5 Attach suspension wires to holes on metal T-Bar hooks



6 Remove access plate and attach appropriate wires. Ensure connections comply with local and national codes.

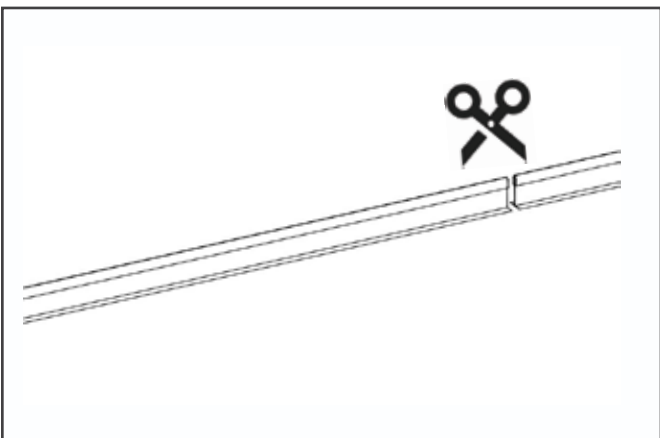


7 Push connected wires into driver box and re-install access plate.

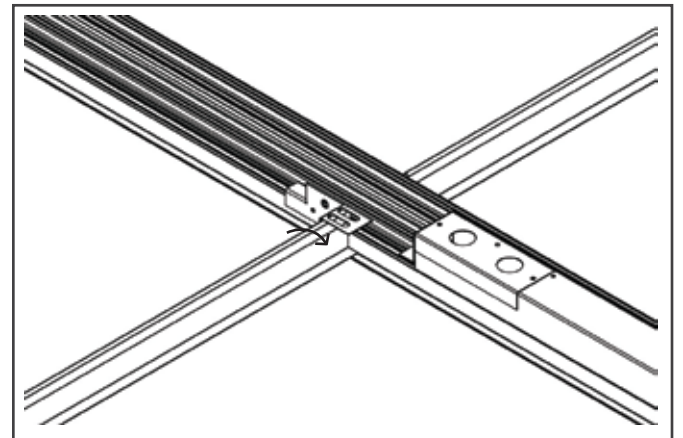


8 Re-install cut ceiling tile

Cross T Intersects Fixture:



1 Cut T-Bar to lay on flange of fixture



2 Lay T-Bar on fixture flange and clamp metal tab over T-Bar

IMPORTANT NOTE: DO NOT DRILL THROUGH SIDE OF FIXTURE TO SECURE TO TBAR. DRILLING THROUGH SIDE OF FIXTURE COULD RESULT IN DRILLING INTO LED BOARD, VOIDING ARON WARRANTY