

EDGE AIR



Project: _____

 Type: _____

 Notes: _____

EDGE Air – Suspended Linear Luminaire Elevate your space with the EDGE Air — a sleek architectural pendant that combines design elegance with high-performance illumination. Its advanced edge-lit optical system delivers powerful, glare-free light in a refined, minimal form. With independently controlled direct and indirect distributions, EDGE Air offers exceptional beam control and design flexibility, making it the perfect choice for modern workplaces, education,



Ordering Guide

EDGES1									
ARON ID		MOUNTING TYPE		FIXTURE LENGTH		END CAP STYLE		SUSPENSION HEIGHT	
EDGES1	EDGE Air	G	Grid	4FA	48"	S	Square	SPF24	24" Adjustable
		DW	Drywall	6FA	72"	R	Rounded	SPF48	48" Adjustable
		OC	Open Ceiling	8FA	96"			SPF60	60" Adjustable
				C	Continuous Run*			SPF90	90" Adjustable
*1' Increments						*Contact factory for custom cable length			

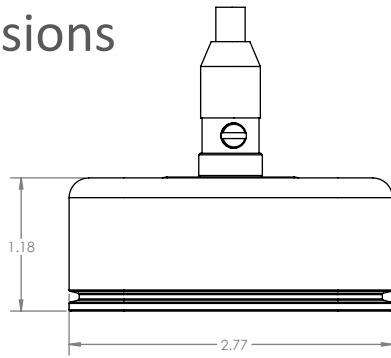
LUMENS PER FT		BEAM		CCT / CRI		VOLTAGE		DRIVER		EMERGENCY/BATTERY		FINISH	
500	500 lm/ft	B1	35 Up / 65 Down	30K8	3000K - 80 CRI	UNV	120-277V	DM	Factory 0-10V	E10W	10W EM	W	White
750	750 lm/ft	B2	65 Up / 35 Down	30K9	3000K - 90 CRI	347	347V	BT	Dim 1%		Battery	BLK	Black
1000	1000 lm/ft	B3	20 Up / 80 Down	35K8	3500K - 80 CRI	POE	Power over Ethernet	DA	Bluetooth			C	Custom
1500	1500 lm/ft	B4	80 Up / 20 Down	35K9	3500K - 90 CRI			DMX	Dali				
		B5	50 Up / 50 Down	40K8	4000K - 80 CRI				DMX				
		B6	100 Down	40K9	4000K - 90 CR								
		B7	100 Up	TNW	Tunable White								
		IN	Independent Control										
**See Page 2 for Bluetooth Information. Consult Factory													

CANOPY SIZE		CANOPY COLOR		RATINGS	
2R	2" Round	W	White	CCEA	Chicago Plenum Rated
5R	5" Round	BLK	Black		
		C	Custom		

ARON Lighting reserves the right to make any design changes for continuous improvement which will not affect the overall appearance, performance or pricing.



Dimensions



Fixture Wattage

Efficacy: 117.2 lm/W

Lumen Maintenance

L90: 90,000 Hours

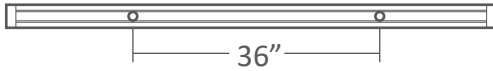
L70: 185,000 Hours

Application Sizes

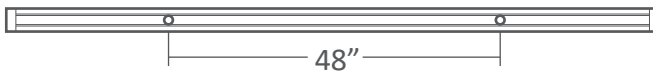
4FA (49.08")



6FA (73.08")



8FA (97.08")



Continuous run options available in 1ft increments

Construction

- Extruded aluminum housing
- Cast Aluminum End Caps
- Die Cast Aluminum Joiners
- Powder coated paint
- 0.43" power over cable
- 5" Canopy Standard

Optical

- Concealed Indirect Mounted LED Arrays using Beam Splitting Batwing Optic
- Symmetric and asymmetric distributions
- Cast acrylic light guide
- Extruded volumetric diffuser
- Minimum 80 or 90 CRI

Electrical

- Remote high efficiency driver
- 0-10V dimming (1%) standard
- Class 2
- Optional battery pack
- Add-on sensor ready

Weight

- 4FA =
- 6FA =
- 8FA =

Bluetooth Technolog



With our Bluetooth OEM partnerships, realize the power of bluetooth lighting control! Offering wall controllers, integrated fixture sensors, tunable white/ rgbw control. Contact Factory for More Information



PoE Technology



Our Partnerships with Igor and NuLEDs offer PoE Integration using low voltage cat 5, cat 6 cabling. Contact Factory For more Information.

Powered Suspension

The K-Grip Powered Suspension System, offers a clean architectural look with no power cable drop. Instead, the suspension cables carry the low voltage power to the EDGE Suspended with independent up and down adjustment.

0.122" Cable

Standard Cable Lengths:

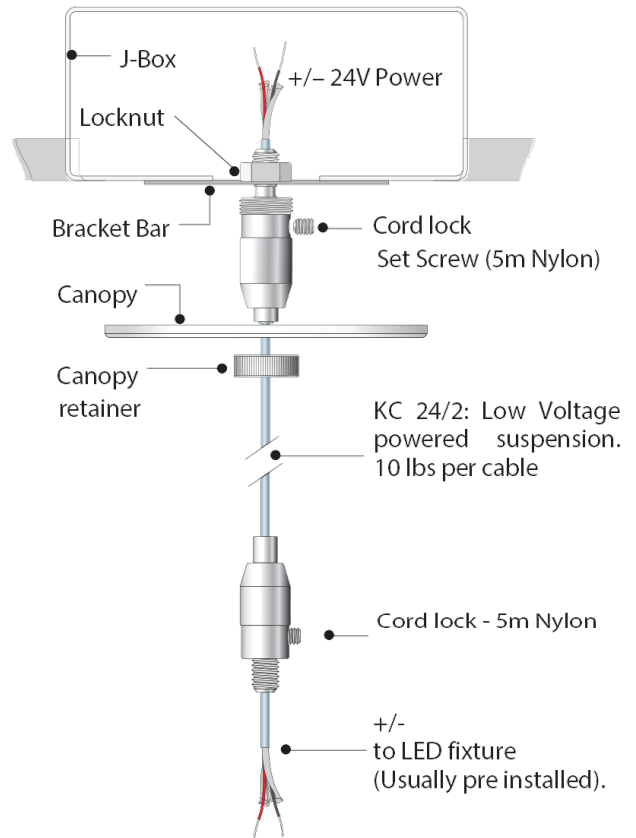
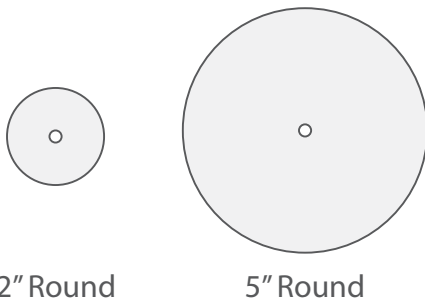
24", 48", 60", 90", 120", 180", 240"

*Contact Factory for Custom Cable Lengths

Continuous Joining

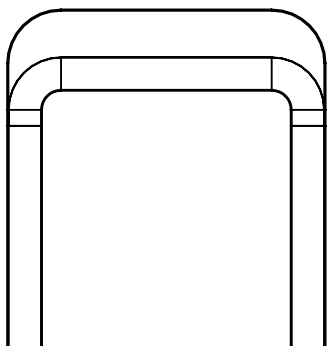


Canopy Sizing

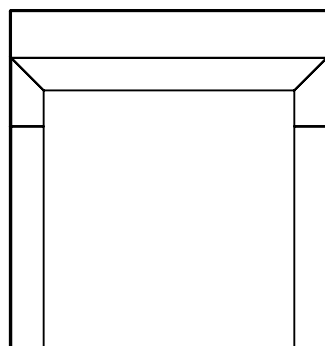


End Cap Styles

R - Rounded

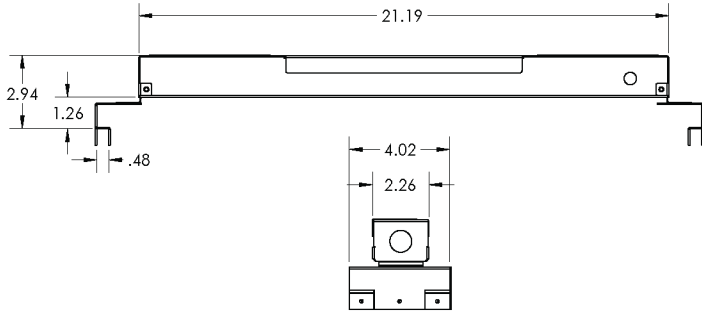


S - Square

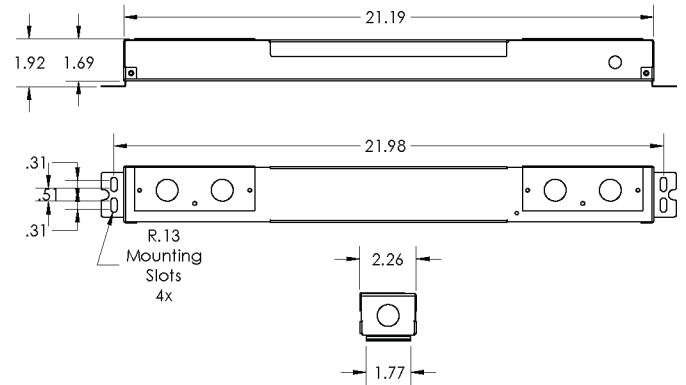


Remote Kit

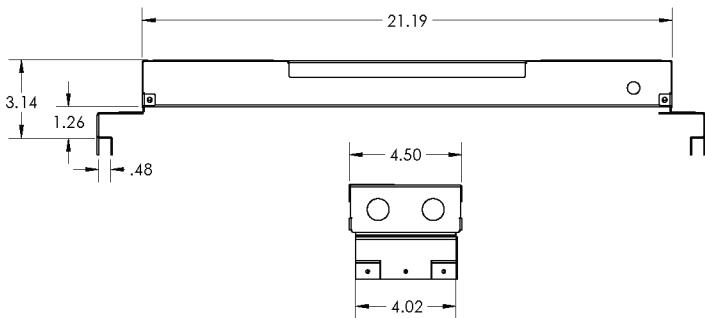
T-Grid - Standard



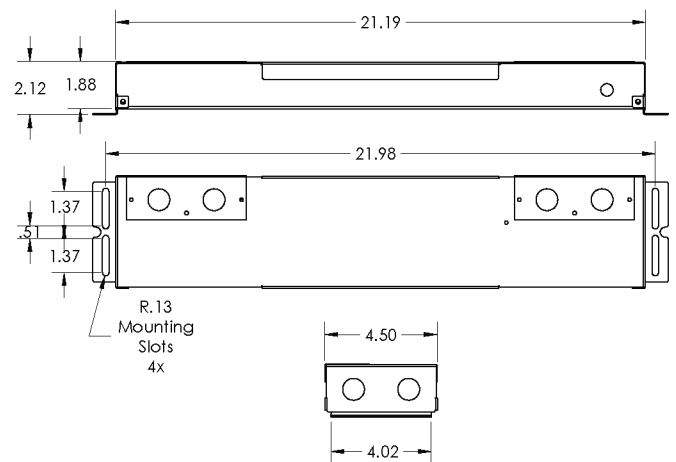
GYP/Open Ceiling - Standard



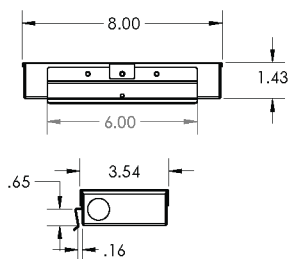
T-Grid - EM



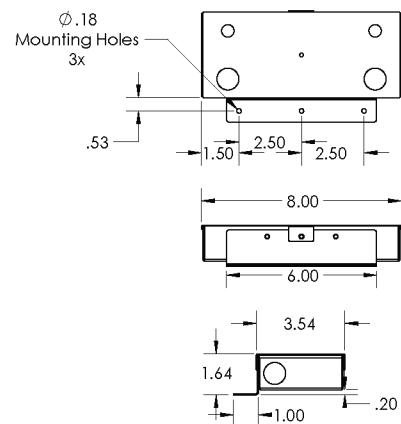
GYP/Open Ceiling - EM



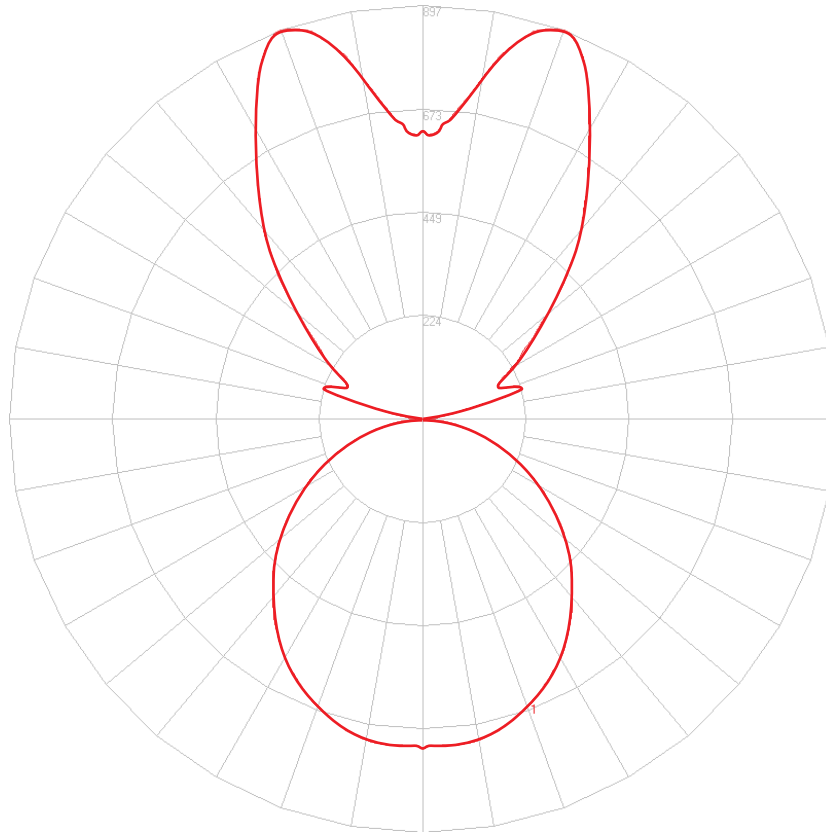
**T-Grid - Small Remote Kit
50W or less**



**GYP/Open Ceiling - Small Remote Kit
50W or less**



Model Tested: EDGES1-G-4FA-S-SPF24-1000-B5-35K8-UNV-DM-W
50% Up | 50% Down



ZONAL LUMEN SUMMARY

Zone	Lumens	%Lamp	%Fixt
0-20	263.15	N.A.	6.60
0-30	557.20	N.A.	13.90
0-40	907.43	N.A.	22.70
0-60	1585.87	N.A.	39.60
0-80	1965.00	N.A.	49.10
0-90	2000.4	N.A.	50.00
10-90	1932.42	N.A.	48.30
20-40	644.28	N.A.	16.10
20-50	1002.72	N.A.	25.10
40-70	919.97	N.A.	23.00
60-80	379.13	N.A.	9.50
70-80	137.60	N.A.	3.40
80-90	35.40	N.A.	0.90
90-110	168.99	N.A.	4.20
90-120	343.09	N.A.	8.60
90-130	603.27	N.A.	15.10
90-150	1369.81	N.A.	34.20
90-180	1999.79	N.A.	50.00
110-180	1830.8	N.A.	45.80
0-180	4000.19	N.A.	100.00

Length: 4ft
Lumens/ft: 1000
Total Lumens: 4000
Input Watts: 28.77 W
Efficacy: 139 lm/W
UGR: 15.6

*Tested with 35K8

LUMINANCE DATA (cd/sq.m)

Angle In Degrees	Average 0-Deg	Average 45-Deg	Average 90-Deg
45	10191	10060	9985
55	9758	9514	9392
65	9130	8766	8669
75	8154	7616	7471
85	6046	5003	4346