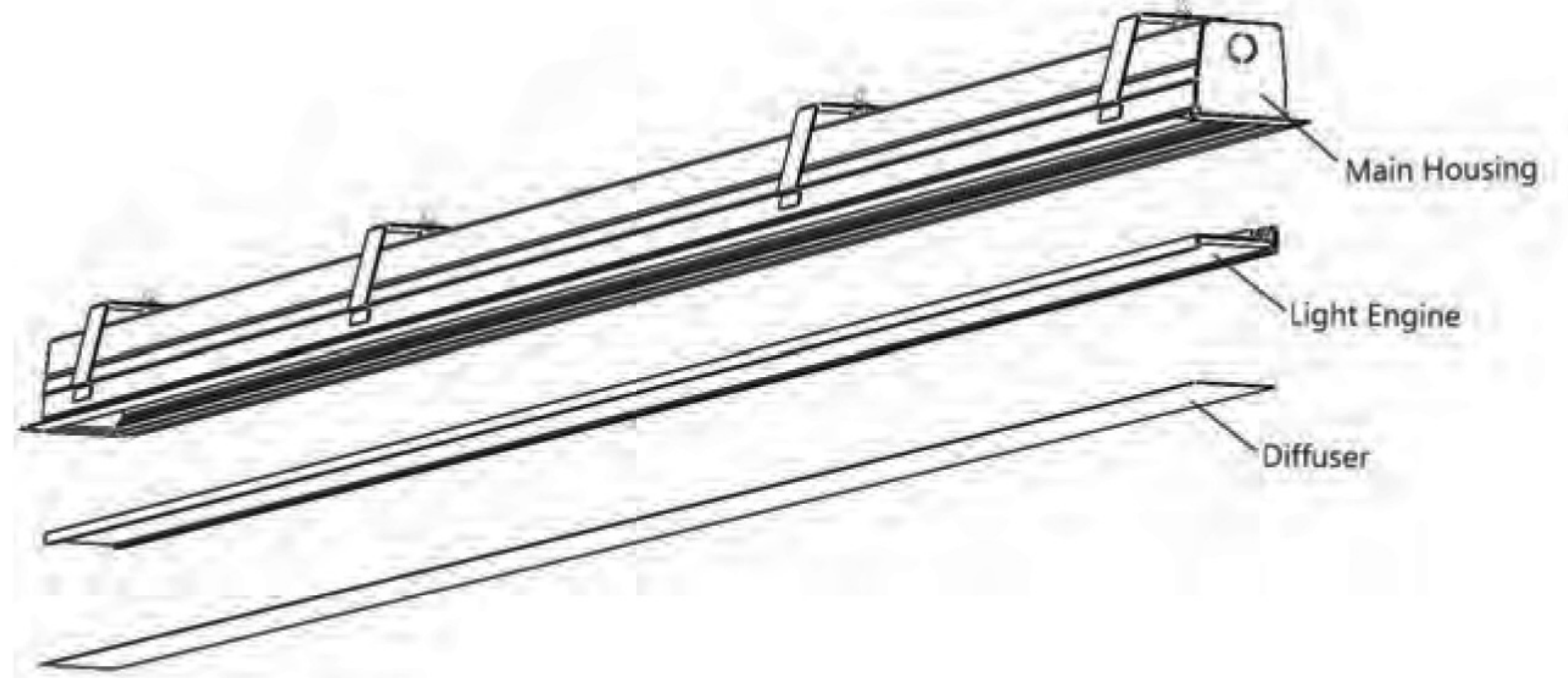
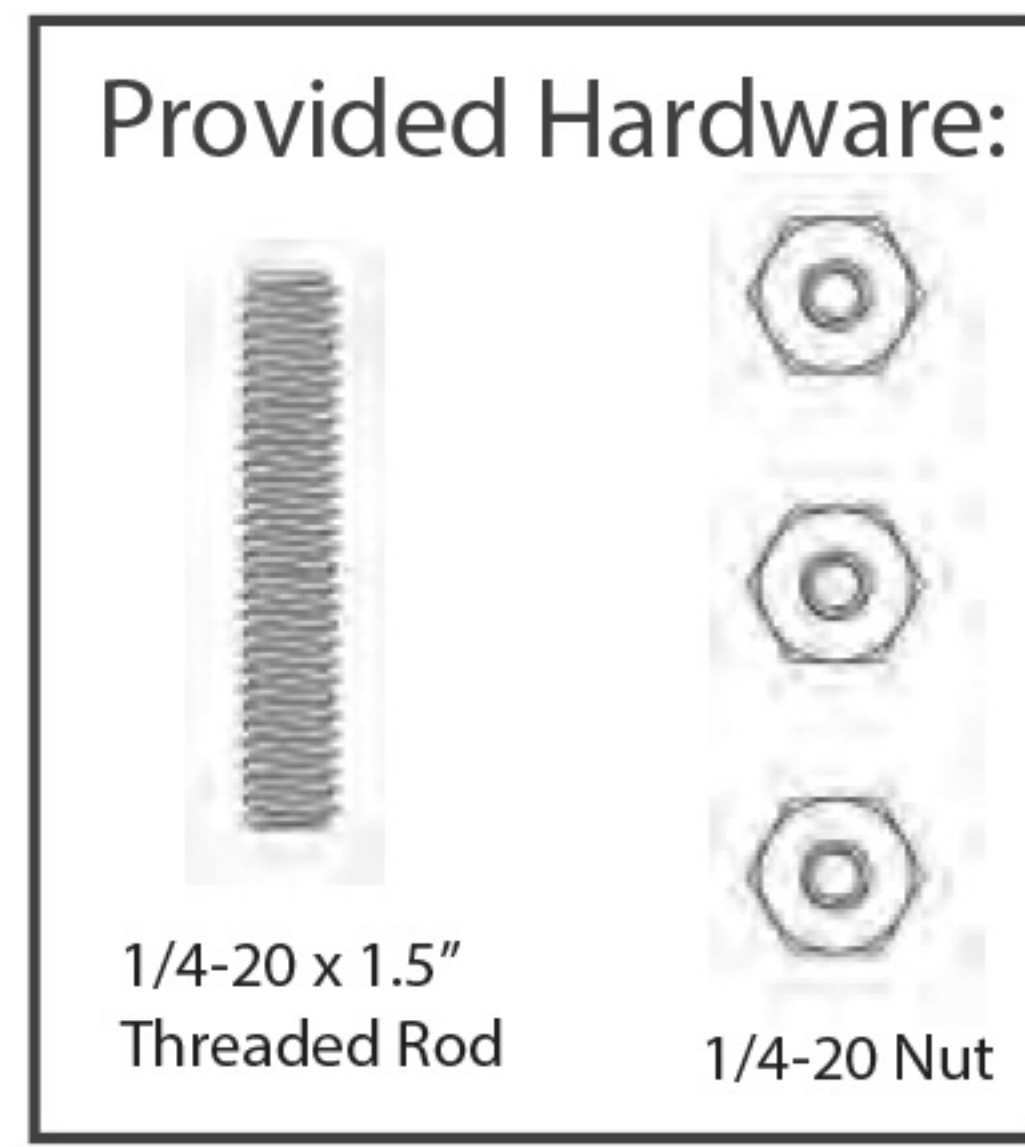


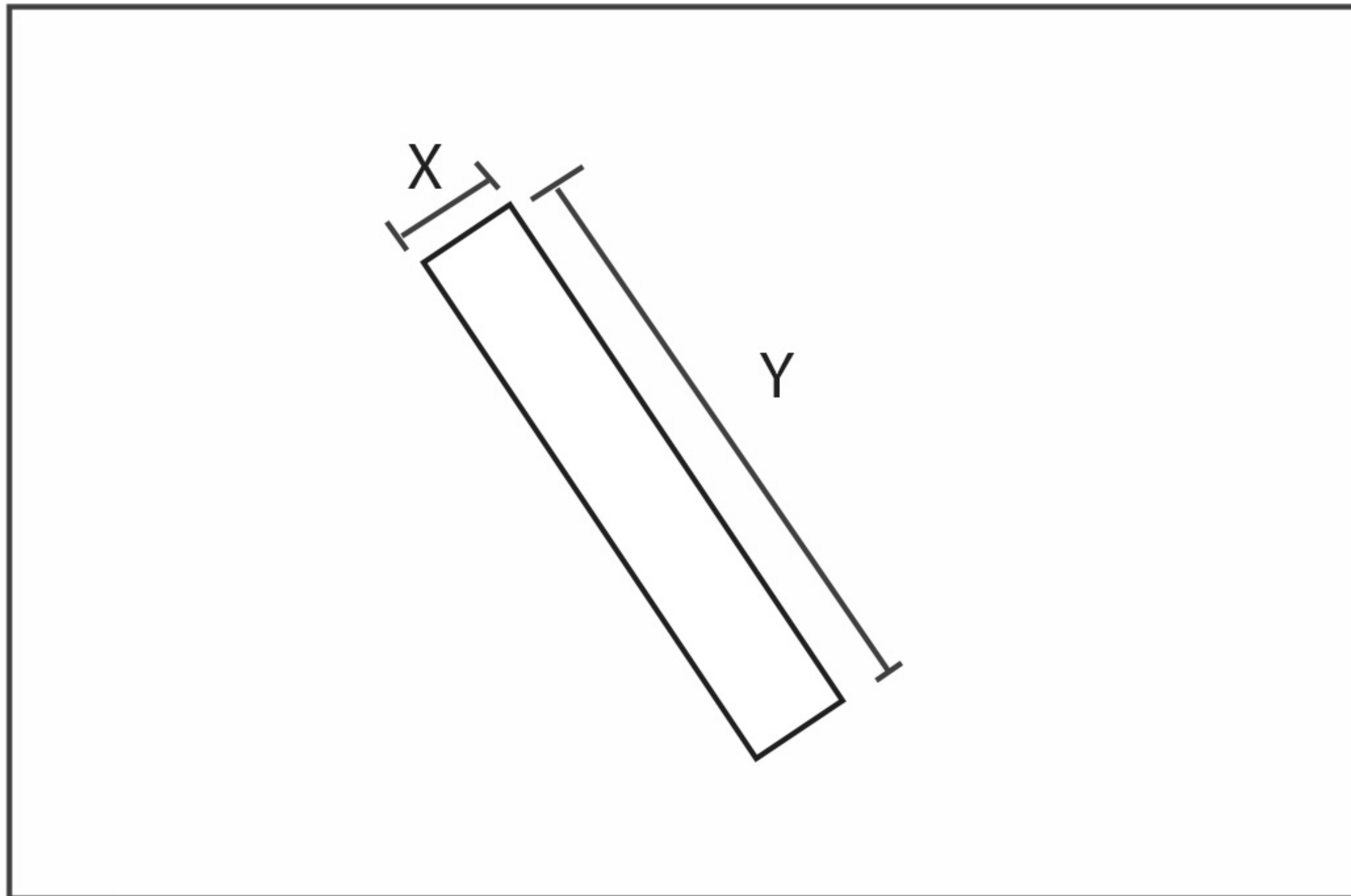
# EDGE V2

## Drywall Installation Instructions for Continuous Run Fixtures

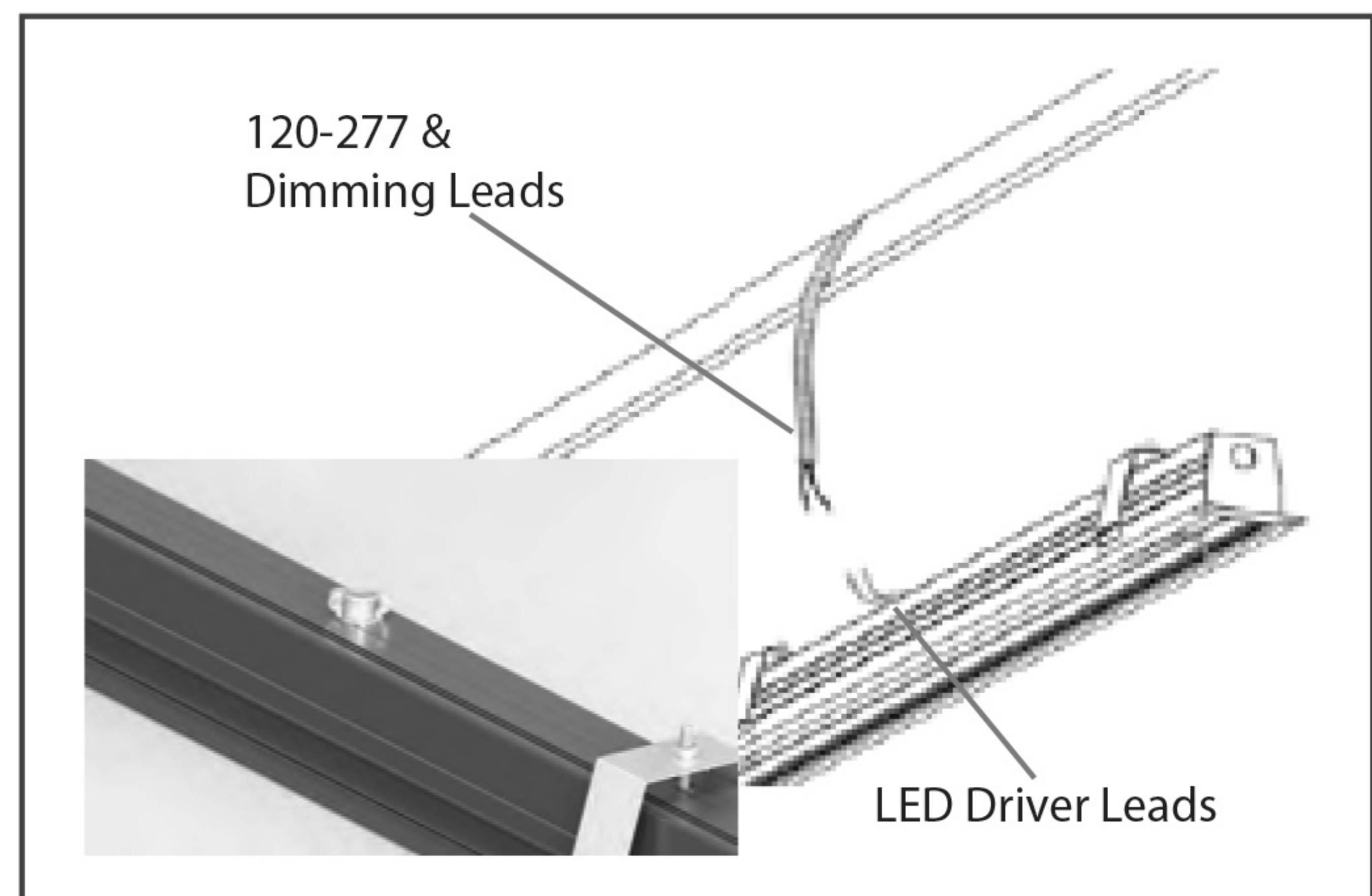
\*For Continuous Run Fixtures and Shapes,  
Contact Factory  
Shop Drawings will be provided



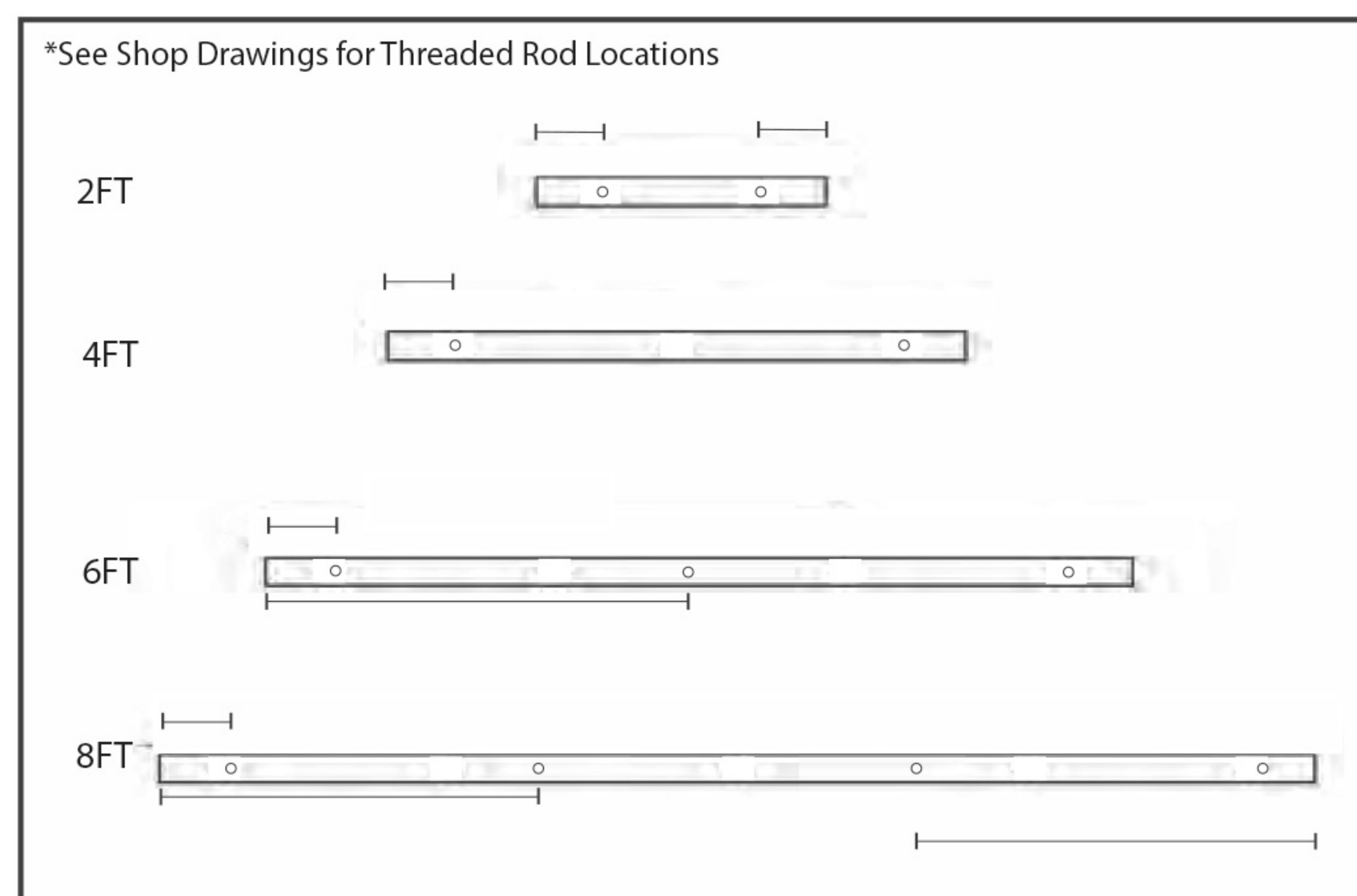
### PART A: Main Housing Installation Steps:



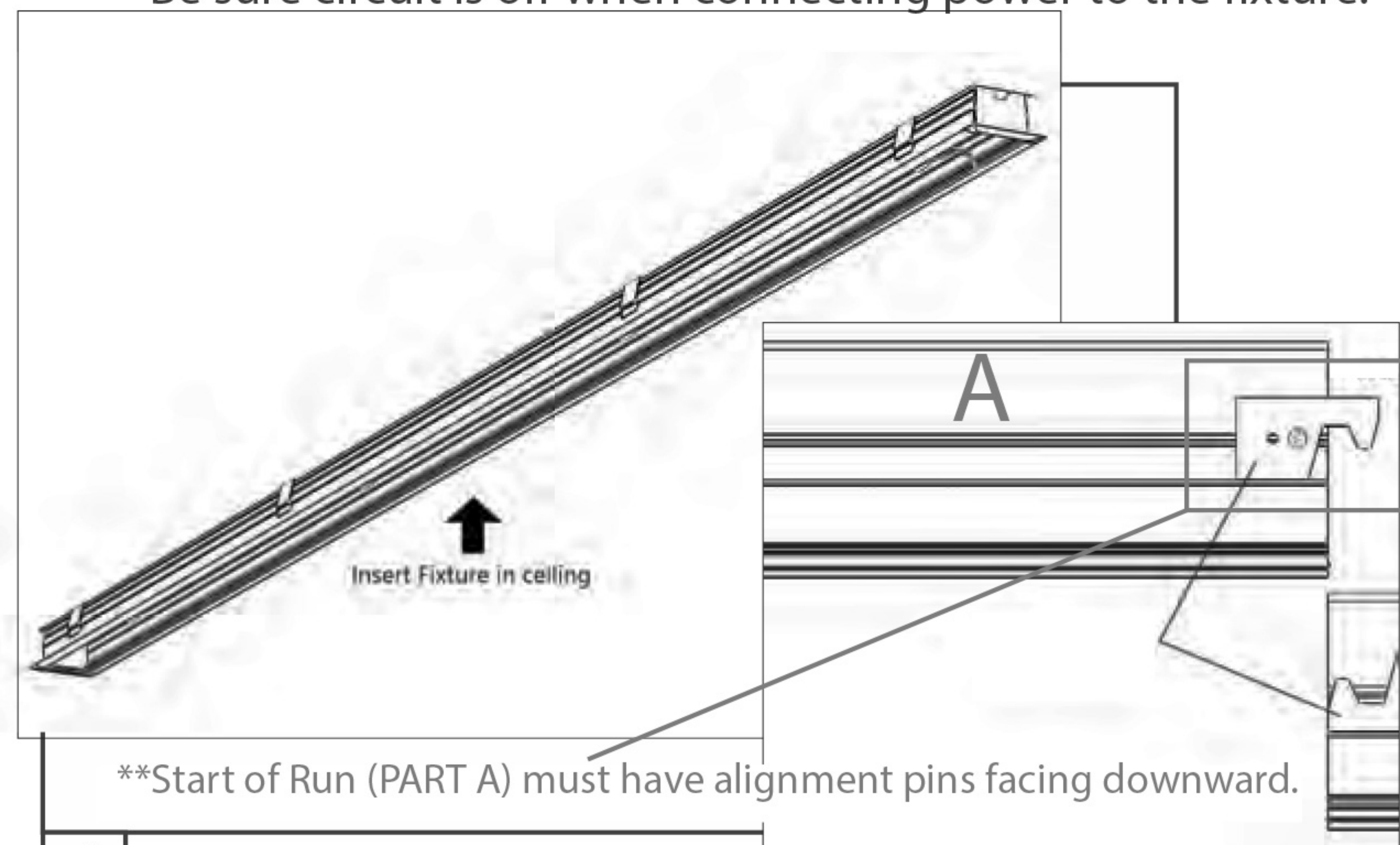
- 1 Cut Hole to specified cutout dimension per approved shop drawings. See cutout tolerances in shop drawings.



- 2 PART A must be the first fixture installed into ceiling. On the First Fixture of the Run (PART A), Connect the line voltage into the LED Driver leads. Use appropriate standards when connecting ceiling line voltage into fixture. Be sure circuit is off when connecting power to the fixture.



- 3 If using 1/4-20 threaded rod installed from structure, see location holes in shop drawings provided. Remove Bracket and pre-installed threaded rod. Then put threaded rod through hole in extrusion and tighten using provided nut (Step 6). See shop drawings for through hole locations.



- 4 Insert the first Main Extrusion (PART A) of the fixture run into the cut hole. See shop drawings and fixture labels for location within run. PART A MUST Be installed first to ensure proper alignment of pins (See diagram above).

**\*\*Threaded Rod Cannot Extend More than 1.5" into fixture. Trim rod if required.**