

DUO T-Bar

Installation Instructions for 2FT and 4FT Individual

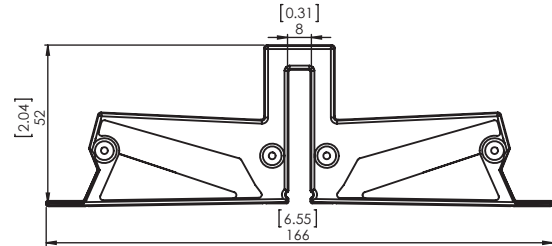
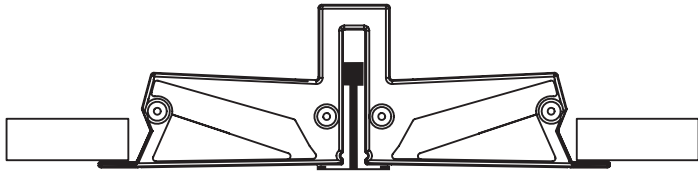
PLEASE READ ALL INSTRUCTIONS CAREFULLY BEFORE INSTALLING

RISK OF FIRE AND ELECTRICAL SHOCK. FIXTURE MUST BE INSTALLED BY A QUALIFIED ELECTRICIAN. ALL INSTALLS SHOULD BE IN ACCORDANCE WITH NATIONAL, LOCAL BUILDING AND ELECTRICAL CODES. ALL WIRES AND MATERIALS USED FOR INPUT/OUTPUT CONNECTIONS MUST BE UL APPROVED.

Dimensions

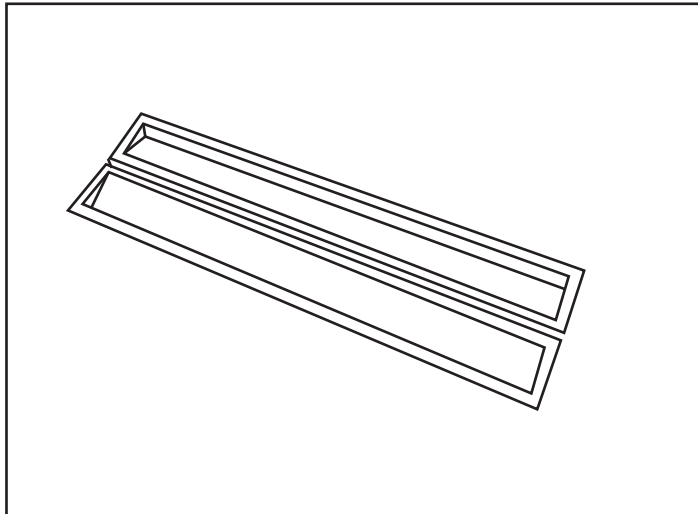
Product	Fixture Length	Fixture Width
DUO T-Bar 2FT	23.75"	6.55"
DUO T-Bar 4FT	47.75"	6.55"

T-Bar Mounting Style

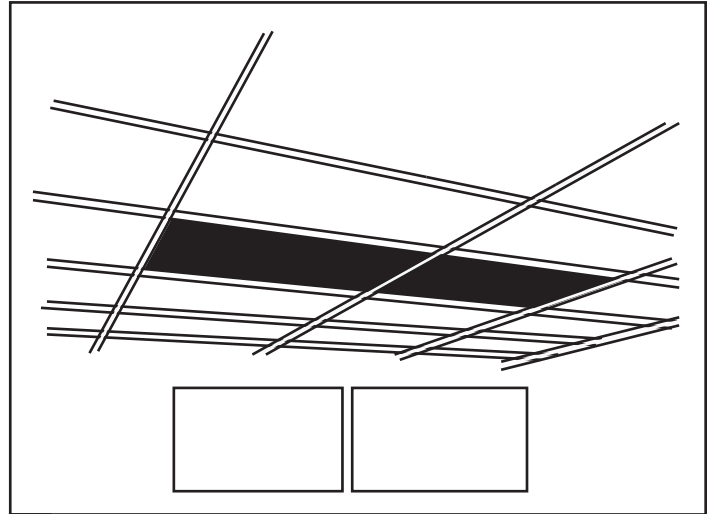


Fixture Installation Steps

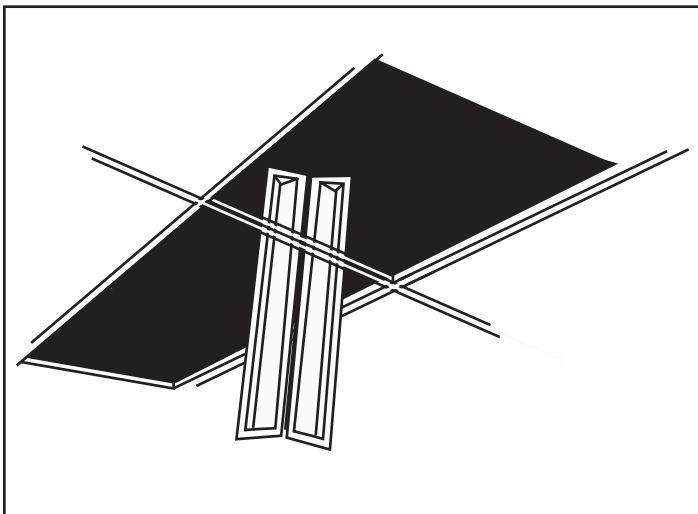
NOTE: The following steps depict the 2FT luminaire, however the procedure is the same for the 4FT



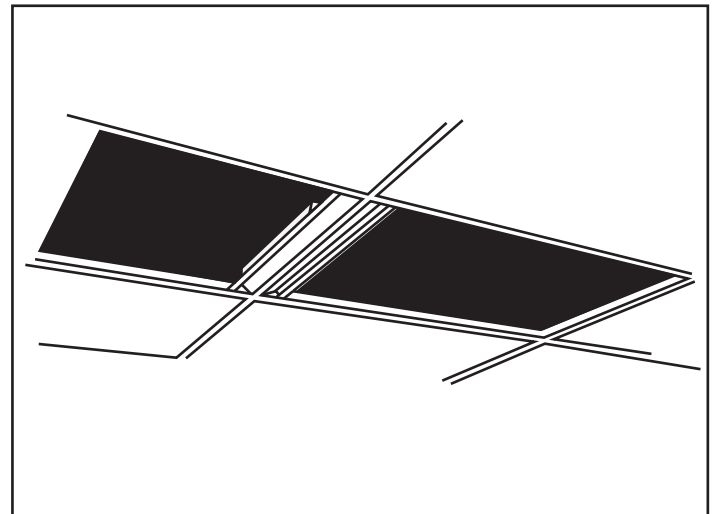
1 Ensure power to fixtures circuit is turned off and carefully remove all packaging from each fixture



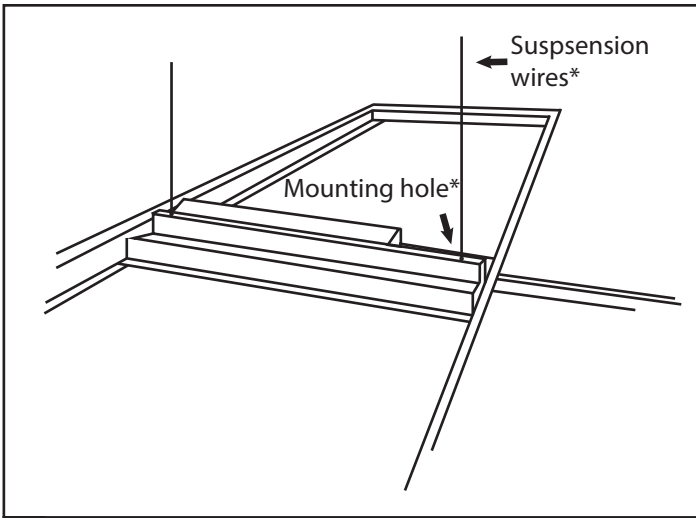
2 Remove the two ceiling tiles adjacent to the T-Bar in which the fixture will be installed



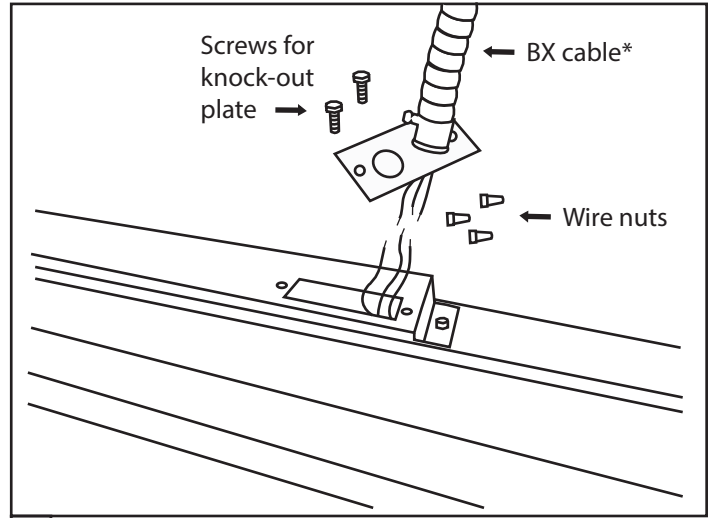
3 Insert fixture inside of ceiling



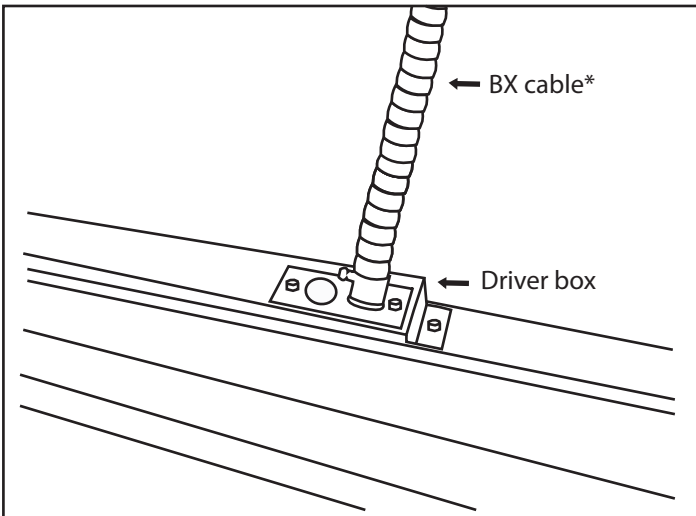
4 Place fixture onto middle of T-Bar ensuring it sits flat on the sides



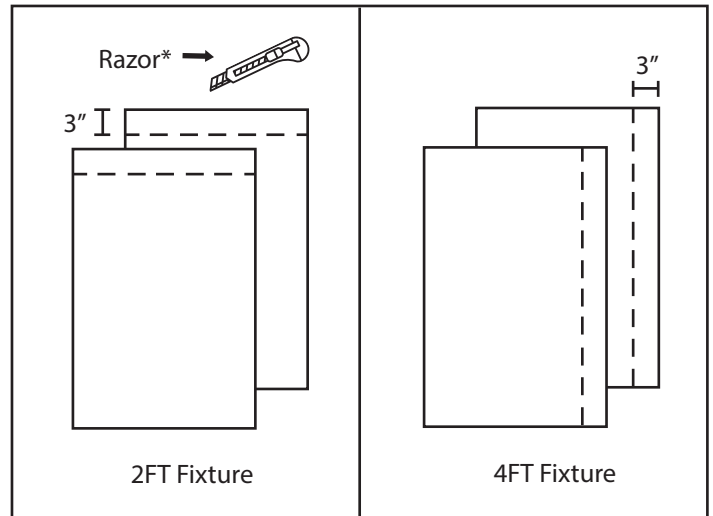
5 For additional safety, fixture should be suspended from ceiling using suspension holes and wires



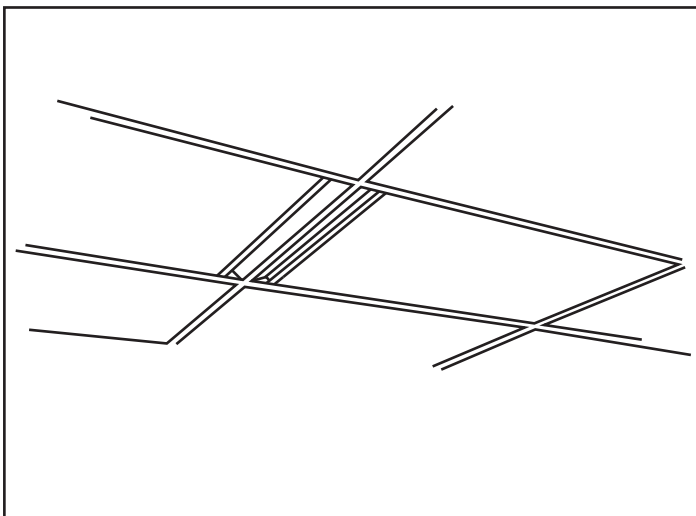
6 Remove access plate and install BX connector through the knock-out. Connect wires from the BX cable to wires on driver using wire nuts. If dimmer is required, connect appropriate wires to grey/purple wires on the driver. Ensures connections comply with local and national codes.



7 Push connected wires into driver box and re-install access plate with provided screws



8 Cut 3 inches off of each ceiling tile from the end which will accommodate the fixture



9 Insert cut ceiling tiles back into original location

NOTE: For tegular tiles, a bevel tool will be provided with each shipment to ensure a proper cut for each tile.

* These components are not supplied