

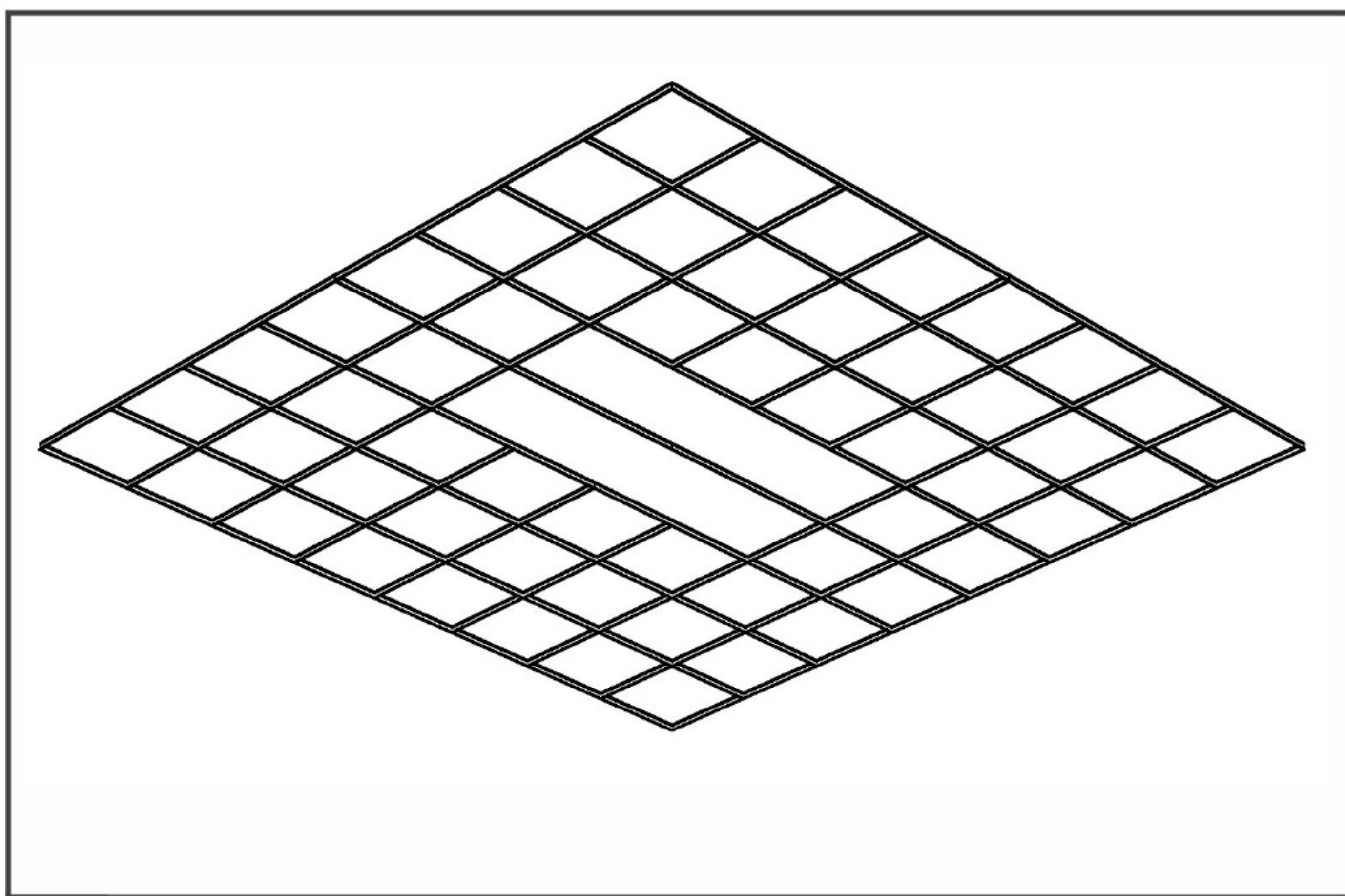
DUO TBar

Installation Instructions for DuoT1-Continuous Run

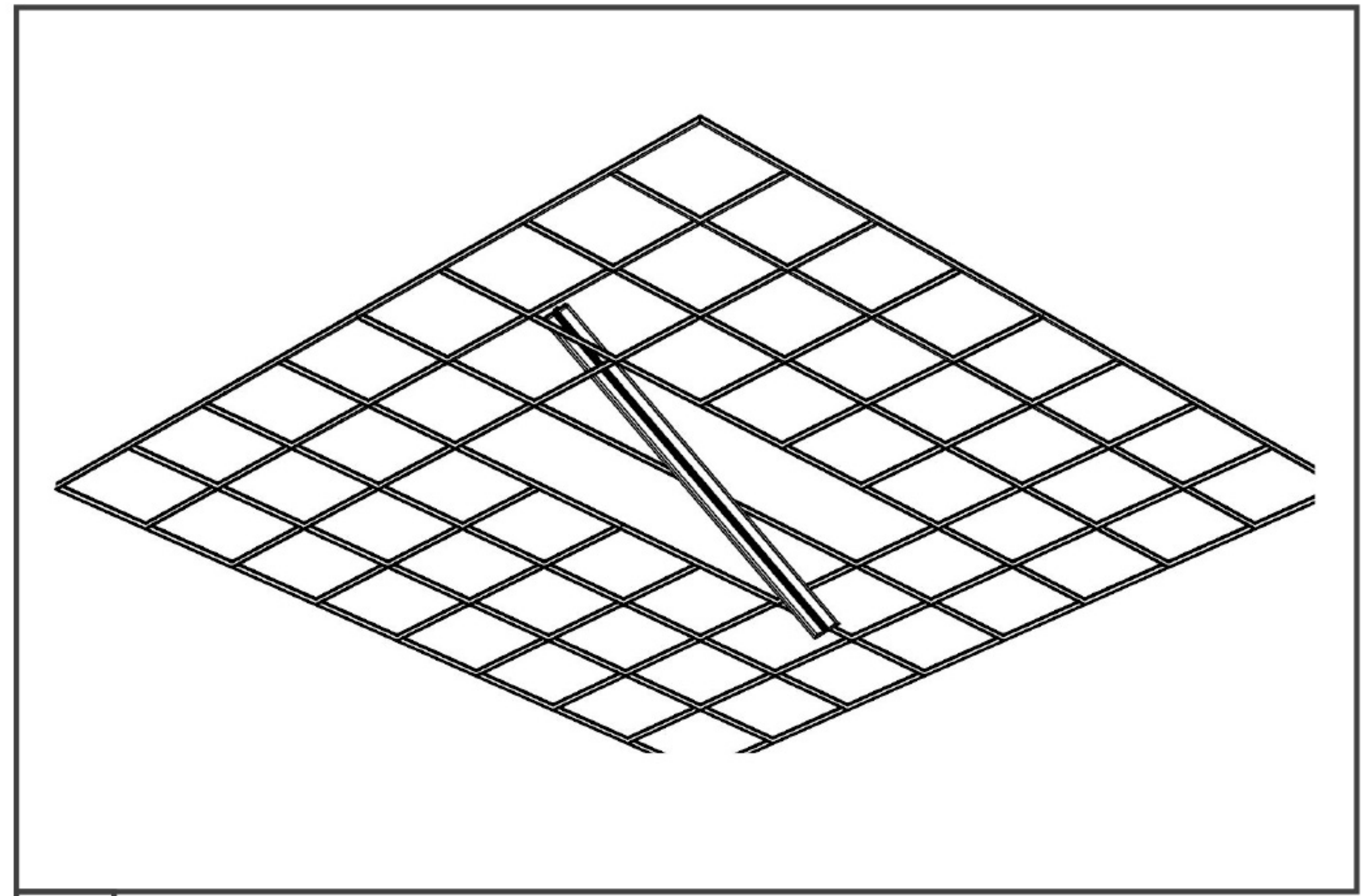
PLEASE READ ALL INSTRUCTIONS CAREFULLY BEFORE INSTALLING.
RISK OF FIRE AND ELECTRICAL SHOCK. FIXTURE MUST BE INSTALLED
BY A QUALIFIED ELECTRICIAN. ALL INSTALLS SHOULD BE IN
ACCORDANCE WITH NATIONAL, LOCAL BUILDING AND ELECTRICAL
CODES. ALL WIRES AND MATERIALS USED FOR INPUT/OUTPUT
MUST BE UL APPROVED.

Parts are labeled for location within the run (A, B, C...)

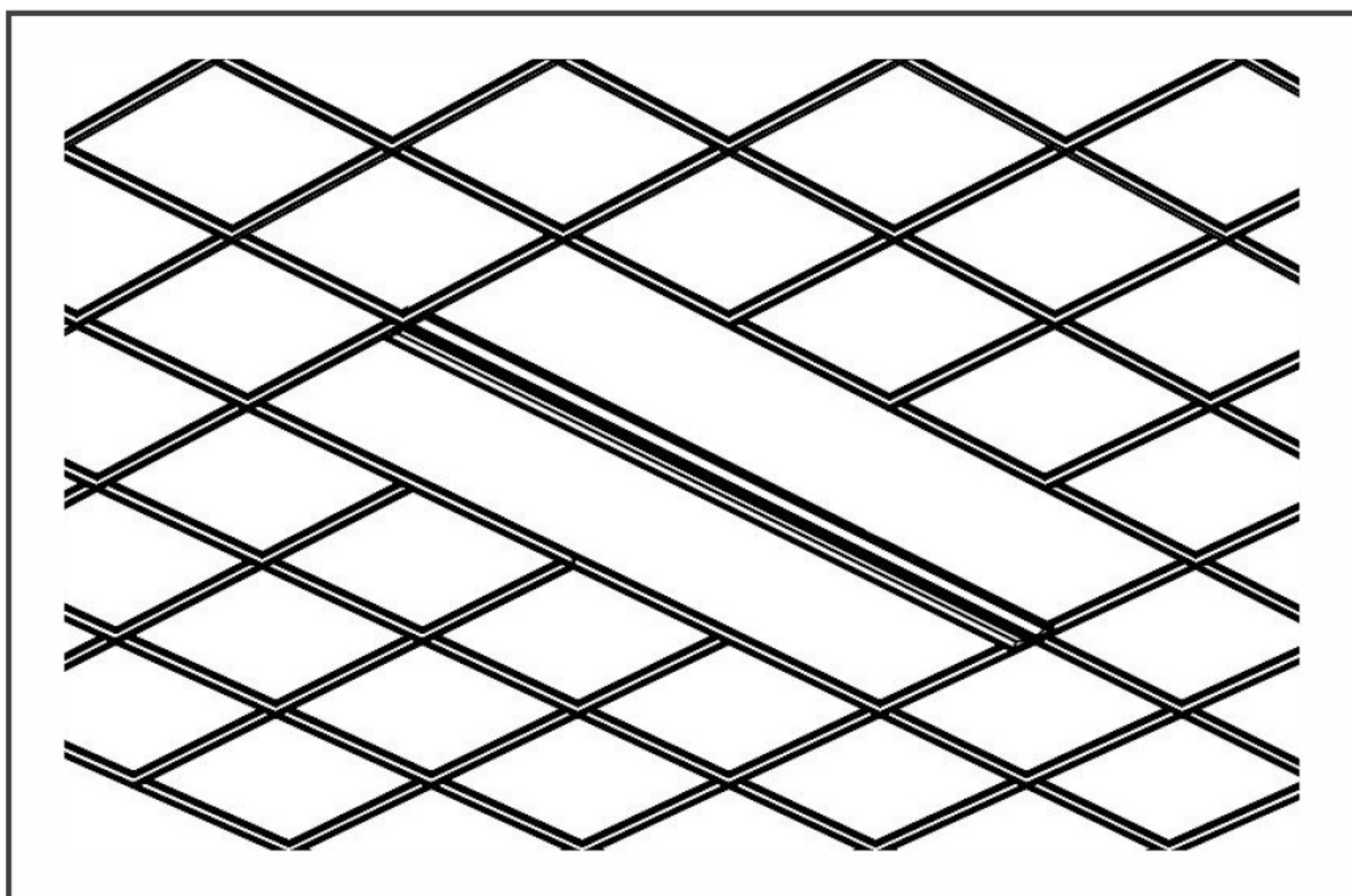
Fixture Installation Steps:



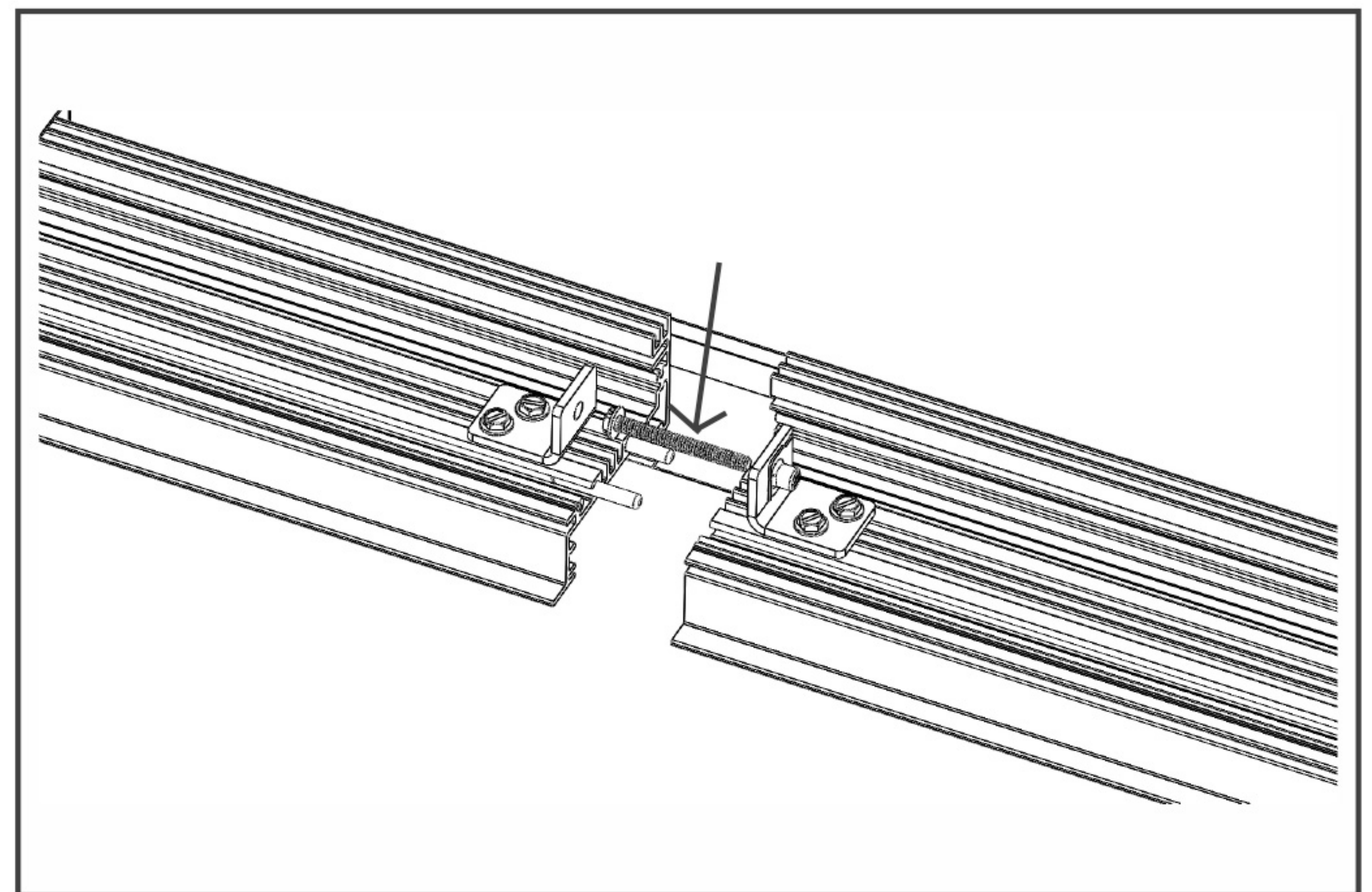
1 Remove Cross-Ts to create opening for fixture run.



2 Insert fixtures into ceiling grid - parts are labeled (A, B, C) for location in the continuous run.



3 Lay fixtures onto center T-Bar.



4 Remove Joiner Screw and place to the side