

DUO TBar

Installation Instructions for DuoT1-6FA & DuoT1-8FA

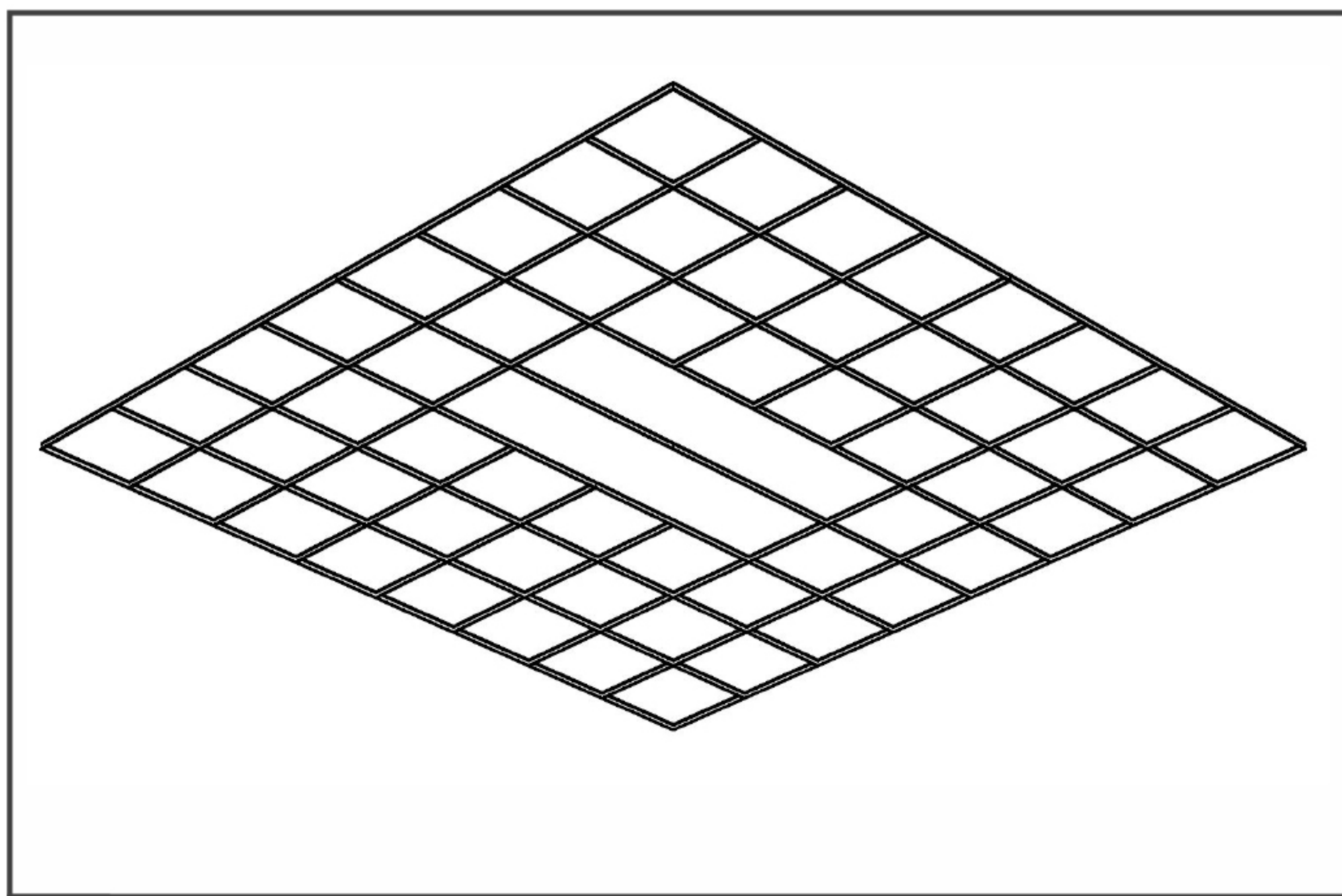
PLEASE READ ALL INSTRUCTIONS CAREFULLY BEFORE INSTALLING. RISK OF FIRE AND ELECTRICAL SHOCK. FIXTURE MUST BE INSTALLED BY A QUALIFIED ELECTRICIAN. ALL INSTALLS SHOULD BE IN ACCORDANCE WITH NATIONAL, LOCAL BUILDING AND ELECTRICAL CODES. ALL WIRES AND MATERIALS USED FOR INPUT/OUTPUT MUST BE UL APPROVED.

Fixture Dimensions

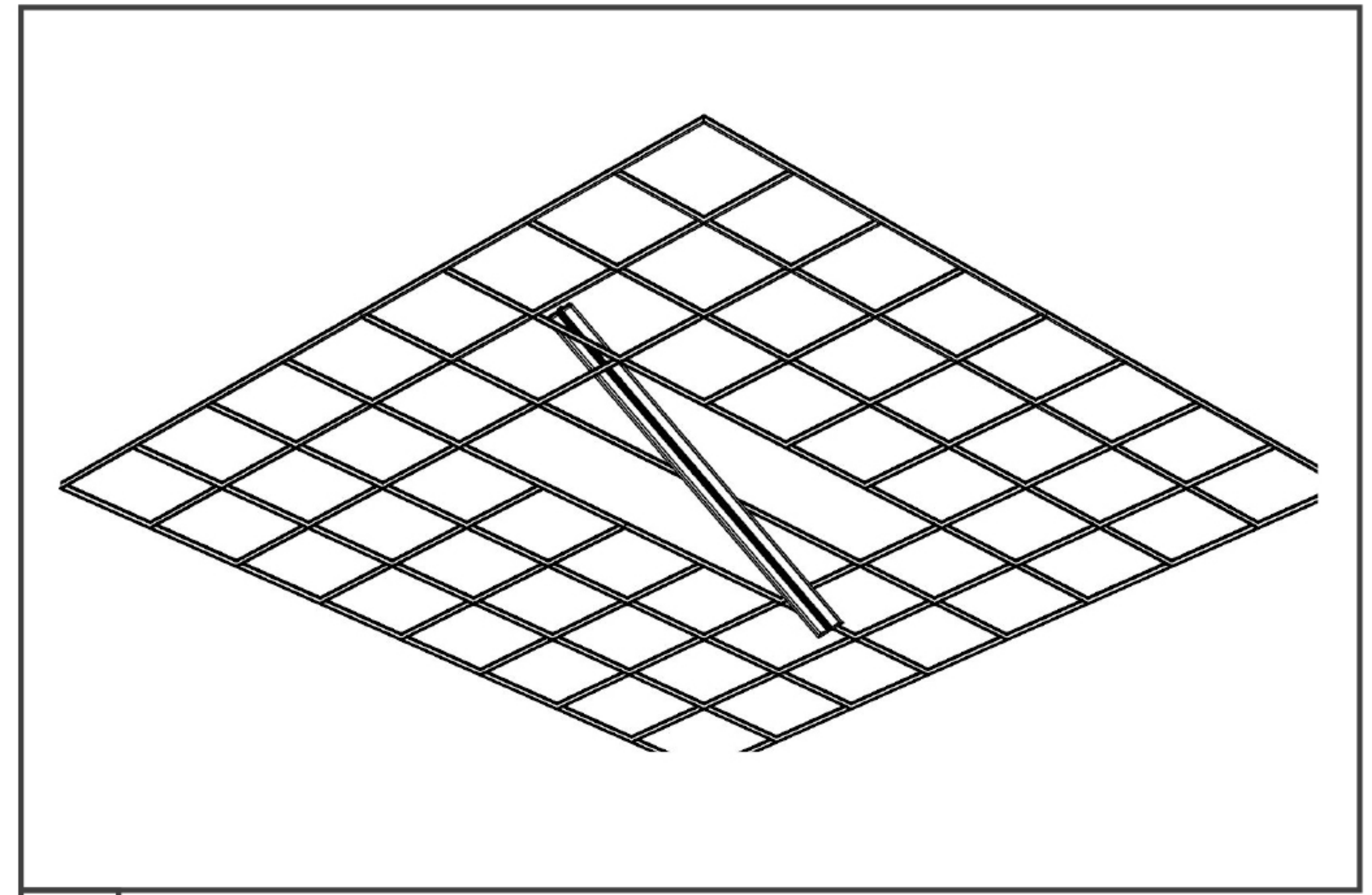
Product	Length	Width
DuoT1-6FA	71.75"	6.55"
DuoT1-8FA	95.75"	6.55"

DuoT1-8FA Installation shown below. Same process applies for DuoT1-6FA

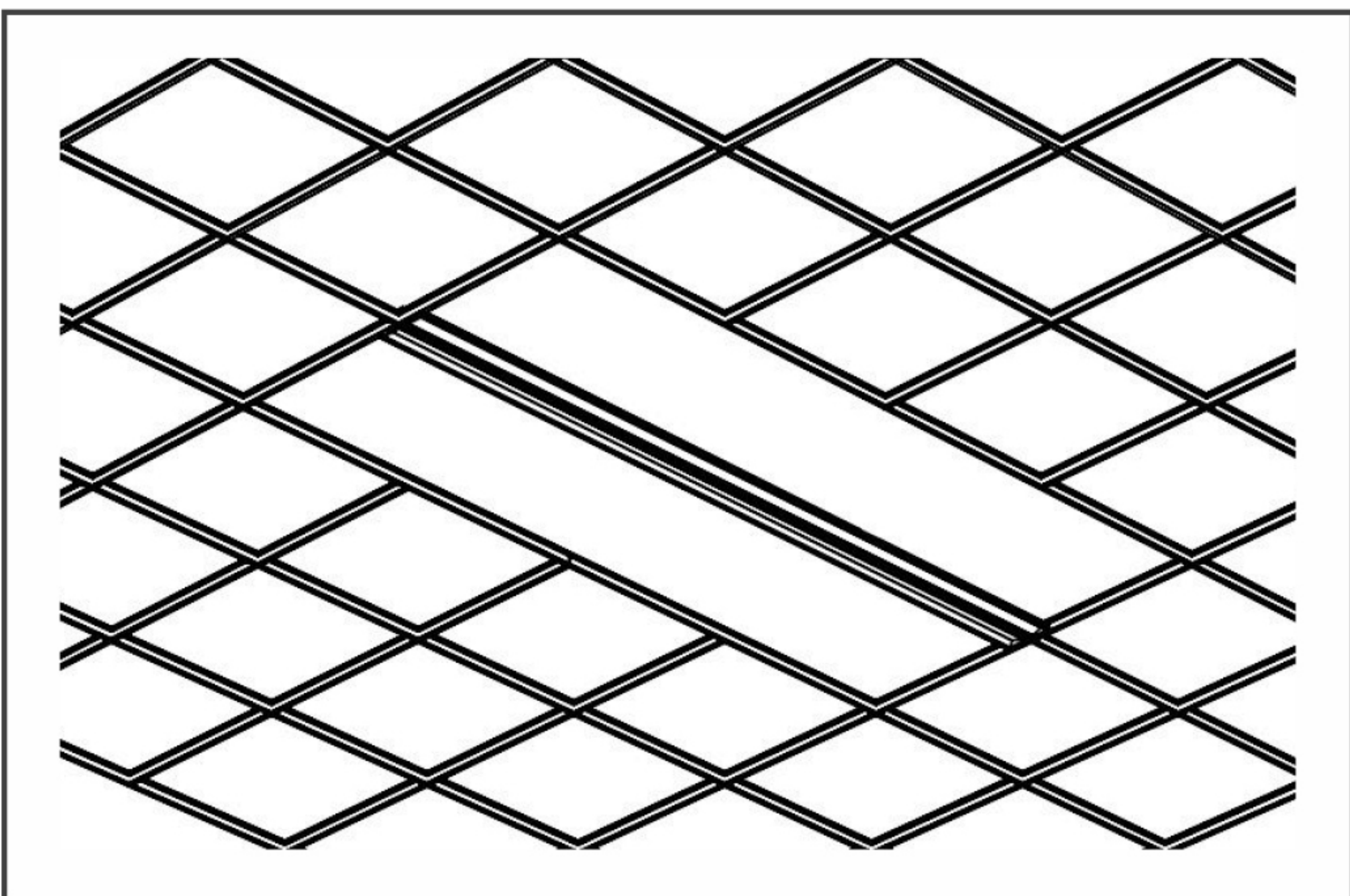
Fixture Installation Steps:



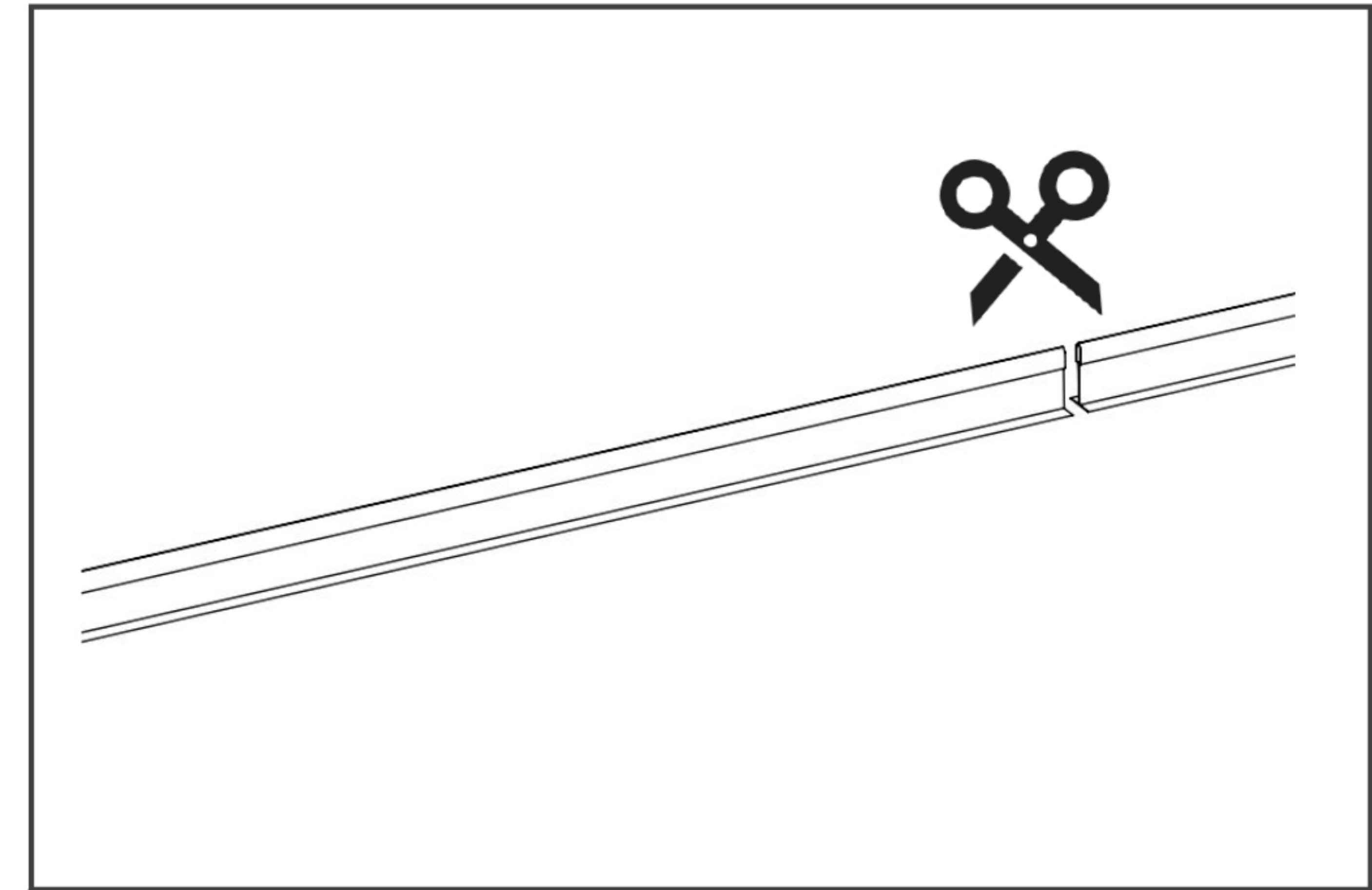
1 Remove Cross-Ts to create opening for fixture.



2 Insert fixture into ceiling grid.



3 Lay fixture onto center T-Bar.



4 Cut T-Bar to lay on flange of fixture.