

# DuoT1

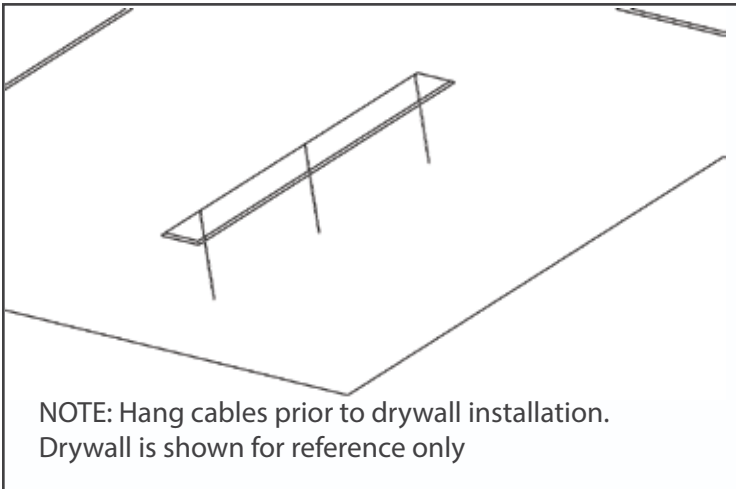
## Installation Instructions for DUO Drywall

PLEASE READ ALL INSTRUCTIONS CAREFULLY BEFORE INSTALLING. RISK OF FIRE AND ELECTRICAL SHOCK. FIXTURE MUST BE INSTALLED BY A QUALIFIED ELECTRICIAN. ALL INSTALLS SHOULD BE IN ACCORDANCE WITH NATIONAL, LOCAL BUILDING AND ELECTRICAL CODES. ALL WIRES AND MATERIALS USED FOR INPUT/OUTPUT MUST BE UL APPROVED.

For any clarification needed on these steps, please visit:

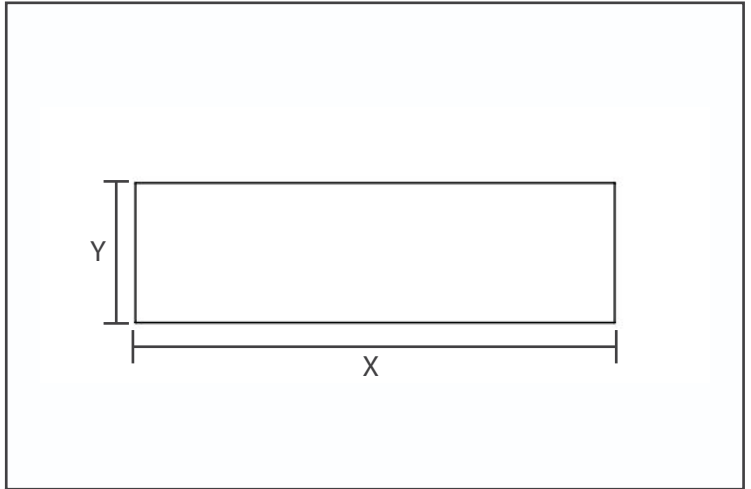
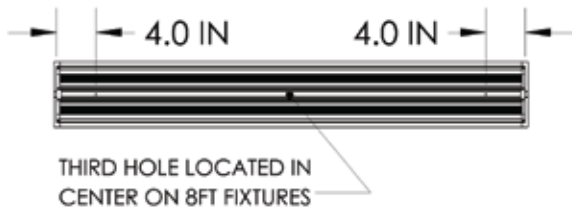
[www.aronlighting.com](http://www.aronlighting.com)  
for installation video

### Installation Steps



- 1 Hang Qty: 2 3/64" suspension cables from the deck for 2-6FT Fixtures, at 4" from each side of fixture placement.

\*\*Each Cable should hang at least 6" below the ceiling  
 \*\*If Installing 8' Fixture, a third cable dropdown should be hung in the center of the cutout. (Shown Above)  
 \*\*See Below for measurements of hole placements in spine of extrusions. Thread wire through these holes, 4in from ends of fixture.  
 See Cable Mounting Position Chart for hanging guidelines.  
 Center hole on 8ft extrusions is located 4ft from end of fixture.



- 2 Cut hole in ceiling according to measurements in table below.

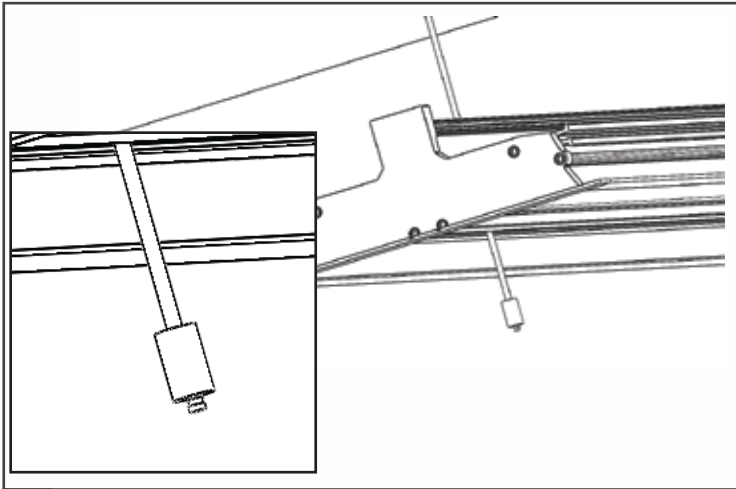
#### Opening Dimensions

Product	Opening Length (X)	Opening Width (Y)
DuoT1-2FA	24"	6.0"
DuoT1-4FA	48"	6.0"
DuoT1-6FA	72"	6.0"
DuoT1-8FA	96"	6.0"

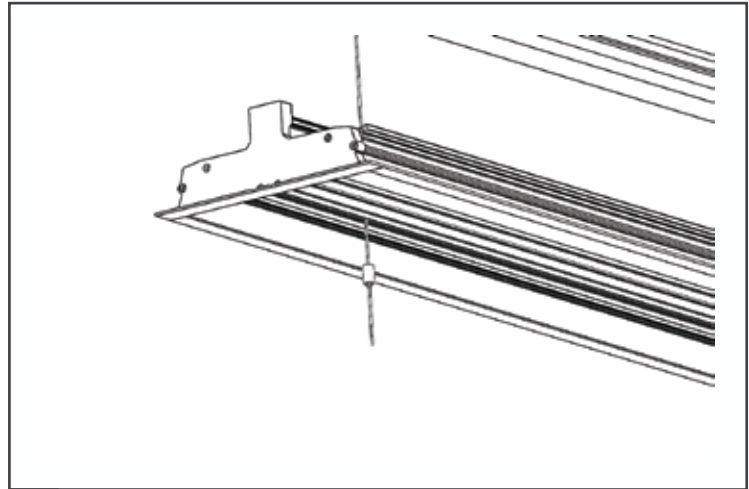
#### Suspension Cable Mounting Position

Product	Distance Between Cables
DuoT1-2FA	16"
DuoT1-4FA	40"
DuoT1-6FA	64"
DuoT1-8FA	44" (3 cables)

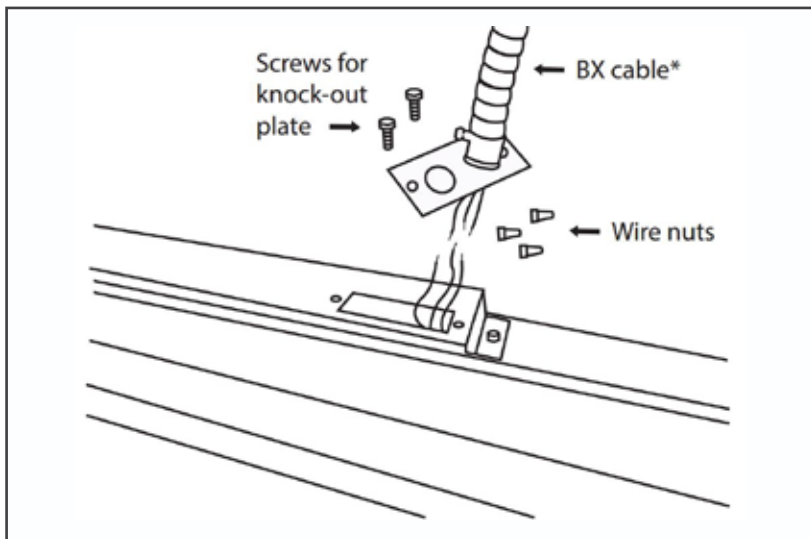
Contact Factory if you would like ARON to assist with or provide Suspension Cable.



- 3 Lift the fixture and slide the first suspension wire through the hole at the top of the fixture. Once through, slide the gripper onto the wire in the orientation shown. (Plunger Pointed downwards)  
 \*\*\*Pull the gripper at least a few inches up the wire but DO NOT fully install the gripper until all wiring is completed.



- 4 Move to the other hole(s) of the fixture and repeat Step 3  
 NOTE: All fixtures will have 2 holes in the top except for 8ft fixtures which will have a third hole in center. Have at least 3" of suspension wire slack after putting through gripper.

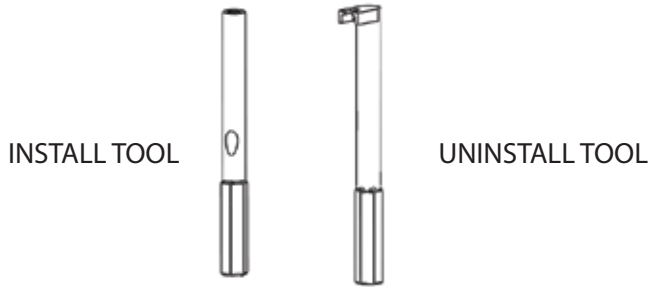


- 5 With the fixture still below the ceiling and now resting on the grippers, complete all electrical wiring. Be sure that all sheet metal plates and boxes are secured.  
 \*\*TEST to ensure that it is lighting up and working properly

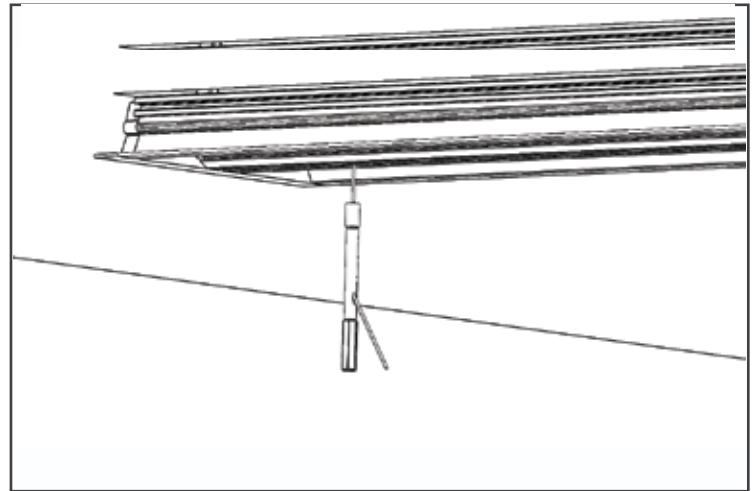
For any clarification needed on these steps, please visit:

[www.aronlighting.com](http://www.aronlighting.com)  
 for installation video

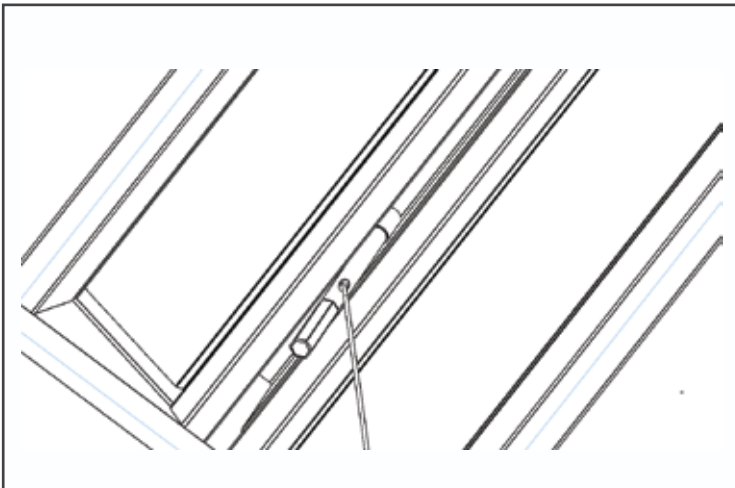




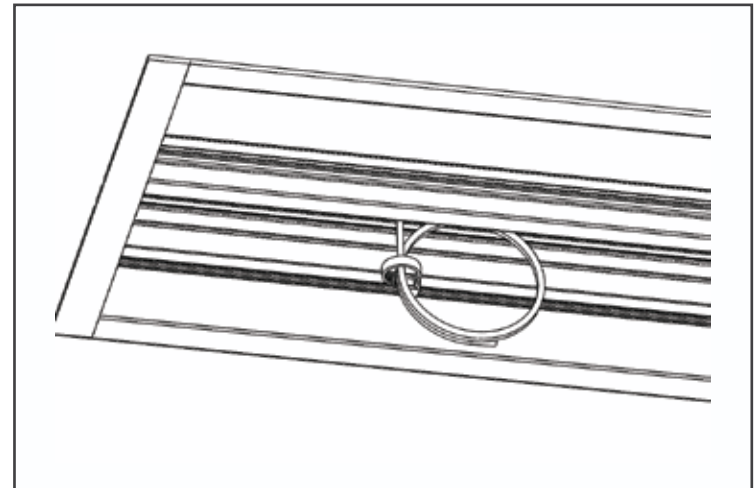
For added length of tool, tools can be attached to any fastening mechanism.



**6a** Slide the suspension wire into the included **"Reverse Gripper Install Tool"**  
The gripper will slide into the fixture and push onto the top of the channel.



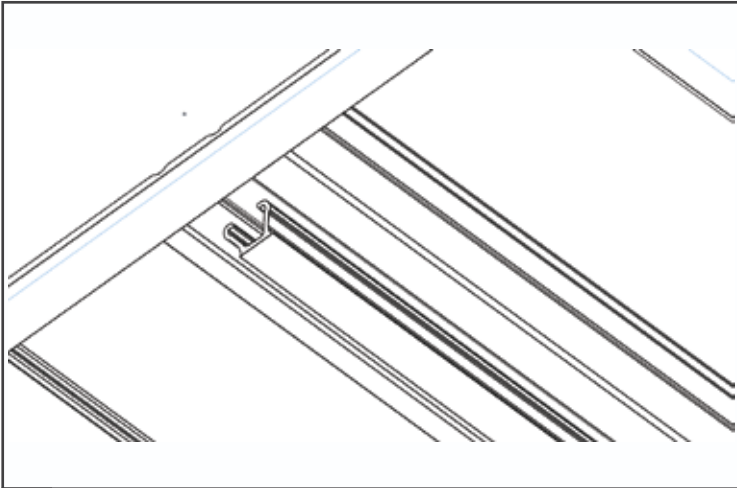
**6b** Then pull firmly on the suspension wire while pushing upward with the install tool to ensure fixture is installed tightly to the ceiling.  
\*\*Alternate between sides to ensure the fixture installs evenly



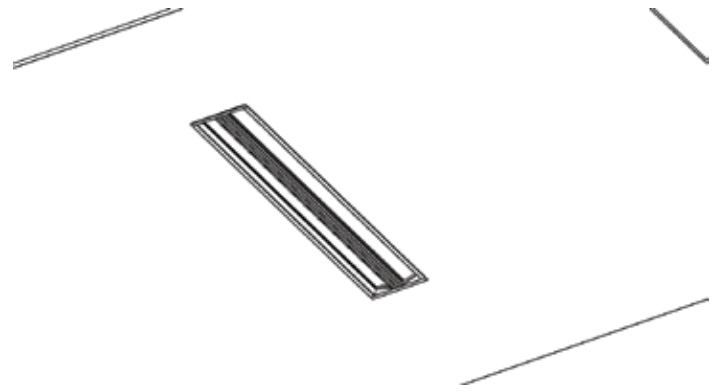
**7** Place the Suspension wire (zip tied if necessary) into the center channel of the fixture.  
**DO NOT CUT WIRE** - Important for any servicing needed after initial install.

**IMPORTANT:** Keep Install and Uninstall Tools with Instruction card (for future removal)

Visit [www.aronlighting.com](http://www.aronlighting.com) for installation video

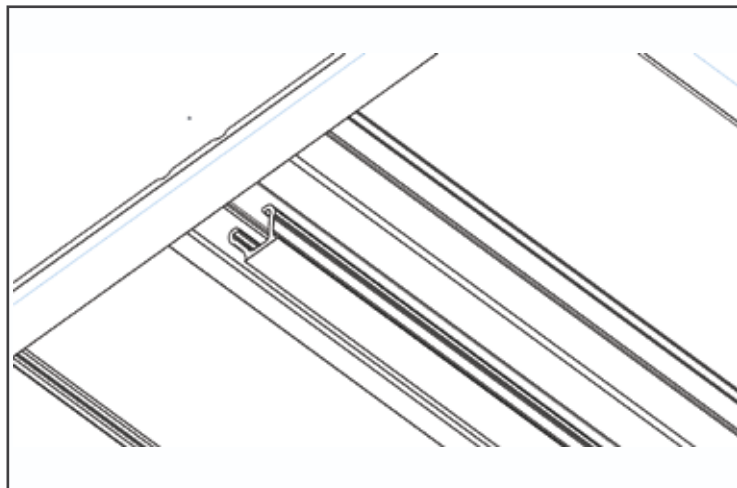


- 8 Snap the plastic cover into the center channel by squeezing the tabs, inserting at one end, and pushing it on down the length of the fixture

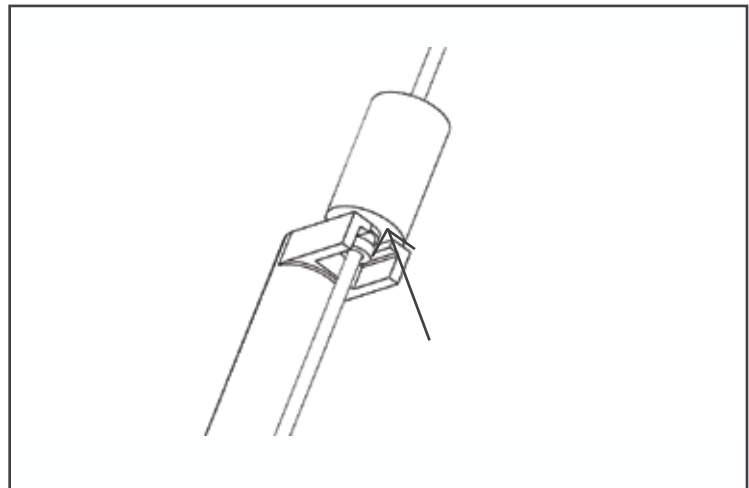


Completed Installation

Uninstall Steps - Done carefully - Fixture is Hanging from suspension cables



- 1 Remove Plastic Cover from center using a flat head screw driver or pick tool



- 2 Use the "Reverse Gripper Uninstall Tool" to pull on the plunger **while using a flathead screwdriver to push upward on the gripper** in the location shown by arrow. This will release the suspension wire and drop the fixture down.

Contact Factory if Install Tools or Uninstall Tools are Needed

For any clarification needed on these steps, please visit:

[www.aronlighting.com](http://www.aronlighting.com)  
for installation video